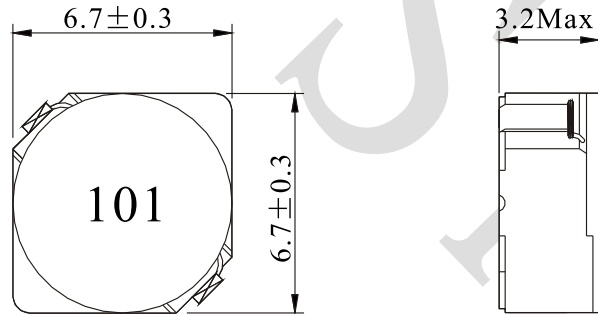
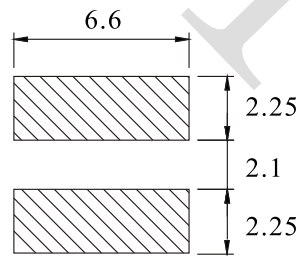
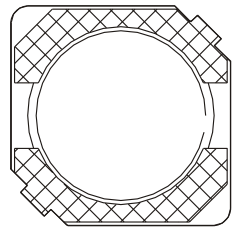


Rev.	Description	Date
A0	New release	2022.05.30

### 1. PHYSICAL CHARACTERISTICS (mm)



#### LAND PATTERNS



### 3. ELECTRONICAL SPECIFICATIONS

L: 100uH ± 20% @ 100KHz, 0.1V

DCR: 561mΩ Max

Isat: 0.42A Max (Inductance drop 10% Max)

Operating temperature: -40°C to +125°C

Storage temperature: -40°C to +125°C

#### Test Instrument:

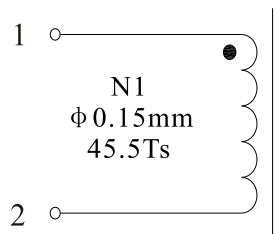
L: HP4284A

RDC: HM2540

#### Note:

- Solderability: leads shall meet MIL-STD-202, Method 208D for solderability.
- Flammability: UL94V-0
- ASTM oxygen index: >28%

### 2. ELECTRONICAL SCHEMATIC



NAME:	Magnetic shielded surface-mount power inductors		
CUSTOMER P/N:	B82462G4104M000	DATE:	2022-05-30
SHINHOM P/N:	SDRH6D28-101M-0.42A	REV:	A0
DRAWN BY	CHECKED BY	APPROVE BY	



**SHINHOM**  
SHAANXISHINHOM ENTERPRISE CO LTD

The Document property belong to SHINHOM & is not allowed to be duplicated without authorization

DRAWN BY

CHECKED BY

APPROVE BY