

Data sheet

Commercial Art.No.: 70.350.1035.1

Hood BAS GOT GA 10 M20 A1

Hood revos basic made of aluminum, for double locking lever or. screw cap with threaded hole M20 on the right side, low version, 10-poles



Commercial Art.No.	70.350.1035.1
EAN	4015573598478
Order Unit	1

Certificates / Approvals



Technical data

General

Housing material	aluminum
Color	Grey
Surface	With powder coating
Degree of protection (IP)	Other
UV resistant	yes
Inflammability class of insulation material acc. with UL94	Other
Operating temperature range min.	-40 °C
Operating temperature range max.	120 °C

Model

Construction	10
Locking mechanism	Double locking levers
Cable entry	Sideways
Type of cable	Thread
With cable screw gland	No
Thread size M	20
Thread size PG	
Hinged lid	No
EMC-version	No
Length	73 mm
Width	43 mm
Height	53 mm

Classification

ECLASS 11	
ECLASS 8.1	27440202
ETIM 7.0	EC000437
ETIM 6.0	EC000437
ETIM 5.0	EC000437
ETIM 4.0	EC000437
ETIM 3.0	EC000437

Product compliance

REACH-SVHC conformity status	Compliant
------------------------------	-----------

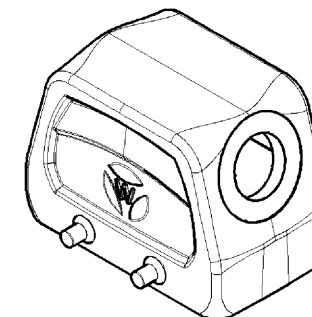
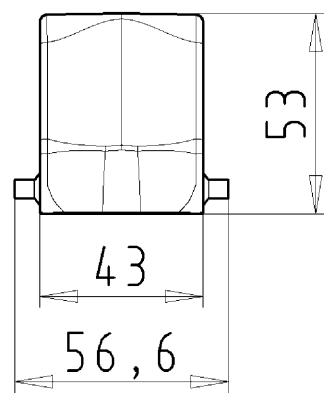
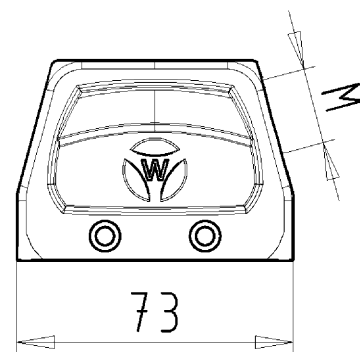
Fits with

Commercial Art.No.:	Article-type description:	Description:
70.300.1040.0	Female insert BAS BUS 10 2,5 50	Female insert revos basic, 10-poles, rated current: 16A, rated voltage:500V, with tin-plated contacts
70.301.1040.0	Female insert BAS BUS 10 2,5 50 AU	Female insert revos basic, 10-poles, rated current: 16A, rated voltage:500V, with gold-plated contacts
70.302.1040.0	Female insert BAS BUS OD 10 2,5 50	Female insert revos basic, 10-poles, rated current: 16A, rated voltage:500V, with tin-plated contacts
70.310.1040.0	Male insert BAS STS 10 2,5 50	Male insert revos basic, 10-poles, rated current: 16A, rated voltage: 500V, with tin-plated contacts
70.311.1040.0	Male insert BAS STS 10 2,5 50 AU	Male insert revos basic, 10-poles, rated current: 16A, rated voltage: 500V, with gold-plated contacts
70.312.1040.0	Male insert BAS STS OD 10 2,5 50	Male insert revos basic, 10-poles, rated current: 16A, rated voltage: 500V, with tin-plated contacts
70.500.1053.0	Female insert BAS BUF 10 2,5 50	Female insert revos basic, 10-poles, rated current: 16A, rated voltage:500V, with silver-plated contacts
70.510.1053.0	Male insert BAS STF 10 2,5 50	Male insert revos basic, 10-poles, rated current: 16A, rated voltage: 500V, with tin-plated contacts
70.700.1058.0	Female insert BAS BUC 10 50	Female insert revos basic, 10-poles, rated current: 16A, rated voltage:500V, with tin-plated contacts
70.710.1058.0	Male insert BAS STC 10 50	Male insert revos basic, 10-poles, rated current: 16A, rated voltage: 500V, with tin-plated contacts
70.800.1856.0	Female insert BAS BUCK 18 50 PC	Female insert revos basic, 18-poles, polycarbonate insert, rated current: 16A, rated voltage: 500V, with gold-plated or silver-plated contacts
70.810.1856.0	Male insert BAS STCK 18 50 PC	Male insert revos basic, 18-poles, polycarbonate insert, rated current: 16A, rated voltage: 500V, with gold-plated or silver-plated contacts
70.400.0340.0	Female insert BAS BUS 3 2,5 64	Female insert revos basic, 3-poles, rated current: 16A, rated voltage: 690V, with tin-plated contacts
70.410.0340.0	Male insert BAS STS 3 2,5 64	Male insert revos basic, 3-poles, rated current: 16A, rated voltage: 690V, with tin-plated contacts
72.300.1053.0	Female insert BAS BUS 10 2,5 69	Female insert revos basic, 10-poles, rated current: 16A, rated voltage:690V, with tin-plated contacts
72.310.1053.0	Male insert BAS STS 10 2,5 69	Male insert revos basic, 10-poles, rated current: 16A, rated voltage: 690V, with tin-plated contacts
72.700.1058.0	Female insert BAS BUC 10 69	Female insert revos basic, 10-poles, rated current: 16A, rated voltage:690V, with tin-plated contacts
72.710.1058.0	Male insert BAS STC 10 69	Male insert revos basic, 10-poles, rated current: 16A, rated voltage: 690V, with tin-plated contacts

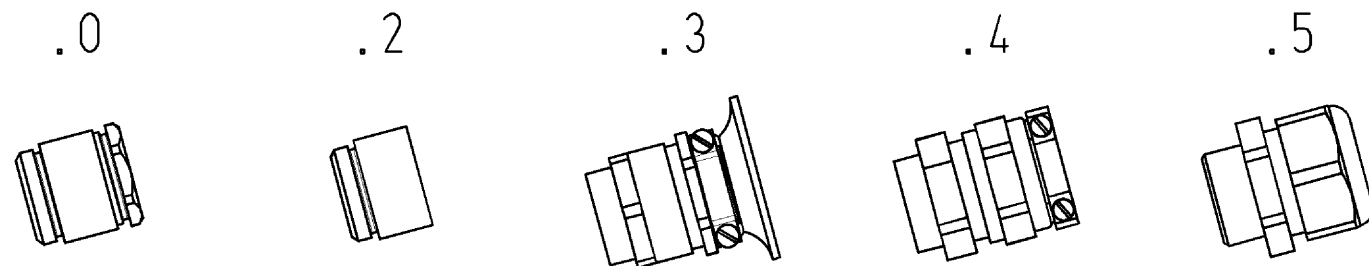
70.506.0353.0	Female insert BAS BUF 3 2,5 83 AG	Female insert revos basic, 3-poles, rated current: 16A, rated voltage: 830V, with silver-plated contacts
70.516.0353.0	Male insert BAS STF 3 2,5 83 AG	Male insert revos basic, 3-poles, rated current: 16A, rated voltage: 830V, with silver-plated contacts
73.800.4253.0	Female insert DD BUC 42 1,5 25	revos DD 42 pole + ground, female insert 250V/10A, crimp connection
73.810.4253.0	Male insert DD STC 42 1,5 25	revos DD 42 pole + ground, male insert 250V/10A, crimp connection
70.405.1053.0	Female insert BAS BUP 10 2,5 50 AG	Female insert revos basic, 10-poles, rated current: 16A, rated voltage:500V, with silver-plated contacts
70.415.1053.0	Male insert BAS STP 10 2,5 50 AG	Male insert revos basic, 10-poles, rated current: 16A, rated voltage: 500V, with silver-plated contacts
72.703.3253.0	Female insert POW BUC 8/24 AF	
72.713.3253.0	Male insert POW STC 8/24 AF	

These dimensions will be especially checked at delivery
 Only inspection dimensions
 With ±E marked dimensions are only valid for internal use

Diese Maße werden bei Abnahme besonders geprüft
 Ausschließlich Prüfmaße
 Mit ±E gekennzeichnete Maße sind nur für interne Zwecke gültig



Varianten/ Variants



70.35 ³ ₀ .1035.5	BAS GOT GA 10	M25 M20	A 5	Kabelverschraubung(KV), IP65 /Cable gland(CG), IP65	
70.35 ³ ₀ .1035.4	BAS GOT GA 10	M25 M20	A 4	KV mit Zugentlastung, IP54 /CG with strain relief, IP54	
70.35 ³ ₀ .1035.3	BAS GOT GA 10	M25 M20	A 3	KV mit Zugentlastung und Knickschutz, IP54 /CG with strain relief and bend support, IP54	
70.35 ³ ₀ .1035.2	BAS GOT GA 10	M25 M20	A 2	Zwischenstützen /Bushing	
70.35 ³ ₀ .1035.1	BAS GOT GA 10	M25 M20	A 1	Gewindebohrung /Thread hole	X
70.35 ³ ₀ .1035.0	BAS GOT GA 10	M25 M20	A 0	Kabelverschraubung(KV), IP54 /Cable gland(CG), IP54	
Bestellnummer /Order number	Typ /Type		Varianten /Variants		der- gestellt /drawn

Weitere Daten siehe KATALOG oder eKatalog.
 Additional data see CATALOG or eCatalog.
www.wieland-electric.com
eshop.wieland-electric.com

Tolerierung Size ISO 14405(±)/Tolerance system Size ISO 14405(±).
 (This ISO-standard describes the envelope principle. According to the envelope principle the deviations of form and parallelism are limited by the size tolerances).

ja/yes Stoffverbots- und Deklarationsliste nach UU-TQM-05/03 ist einzuhalten.
 Conformity with Wieland document UU-TQM-05/03 (list of prohibited / declarable hazardous substances) to be declared!

Freitoleranz nach General tolerance CAD - Zeichnung, keine manuellen Änderungen CAD - drawing, no manual modifications allowed 1. Verwendung: - First Use: - Blatt: 1 von 1 Sheet: of 1

Werkstoff/Material Aluminium beschichtet/ coated grau/ grey	2013 Tag/Date 20.08. Name Treschan	T	Zeichnung Nr./Drawing No. 70.350.1035.0 13K	Index
Maßstab/Scale 1:2	gezeichnet/drawn geprüft/checked Normgepr. Stand. check			
Maße in mm/Dimensions are in mm				
Ersatz für/Replacement for: -				
wieland Elektrische Verbindungen		Type revos BASIC	Benennung/Titel GEHAEUSEOBERTE IL	
Baugröße 10-Kabelabgang seitlich-M20/M25 Hood size 10-cable outlet side-M20/M25				

Weitergabe sowie Vervielfältigung dieses Dokuments, Verwertung und Mitteilung seines Inhalts sind verboten, soweit nicht ausdrücklich gestattet.
 The reproduction, distribution and utilization of this document as well as the communication of its contents to others without express authorization is prohibited.

703501035013K_2 CADW3028 Treschan 2013-09-201084838 1.000