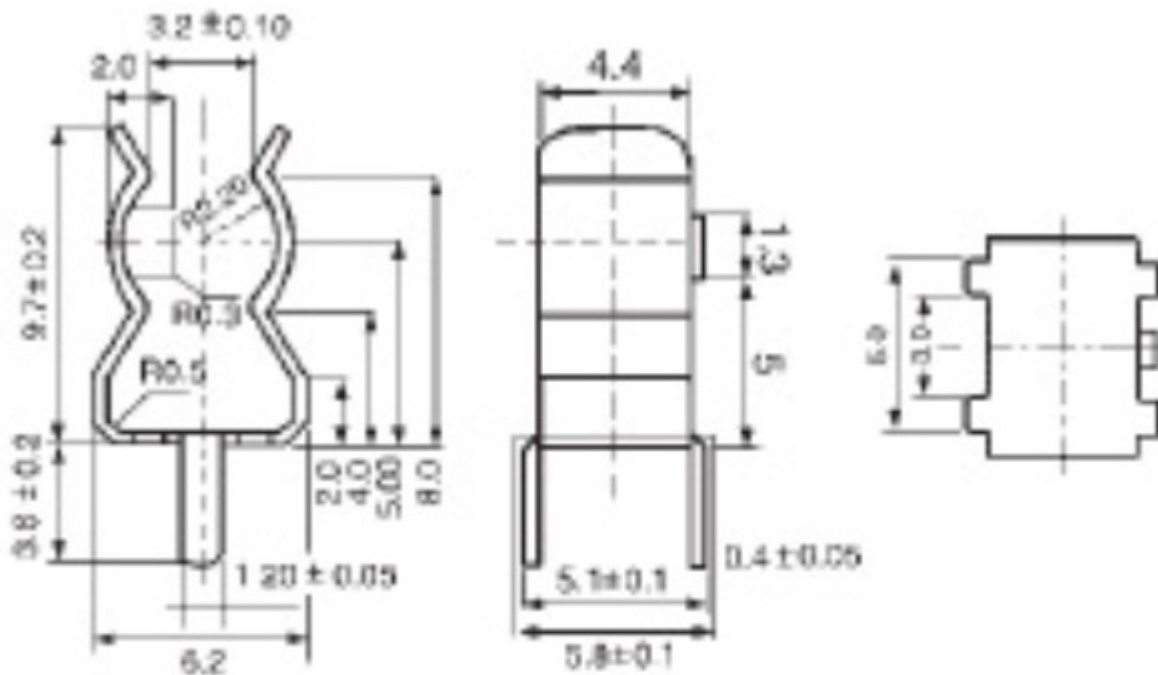


Fuse clip ZH266



Suitable fuse: 5.2x 20mm

Maximum rated value: 10A. 250V. AC

Material: Copper Phosphor-Bronze

Silver-plating (Nickel-plating)