

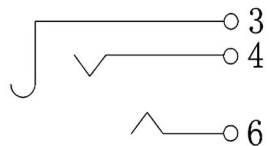
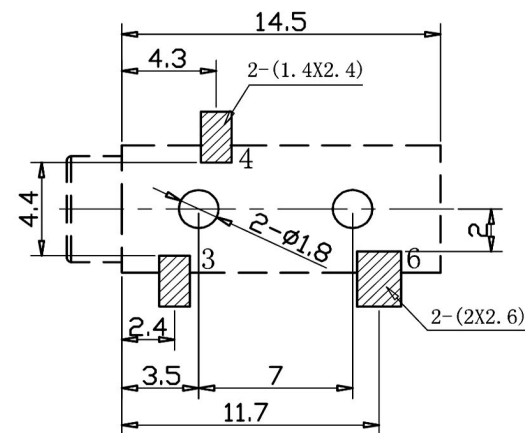
1 2 3 4 5 6 7 8

A
B
C
D
E
F
G
H

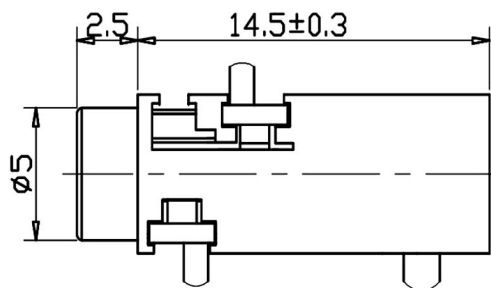
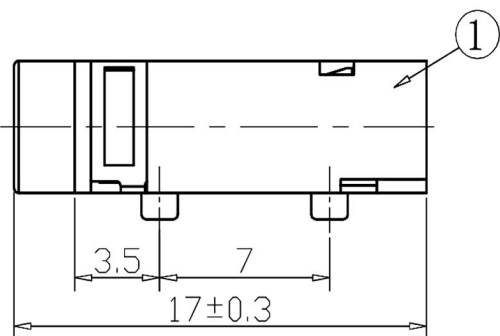
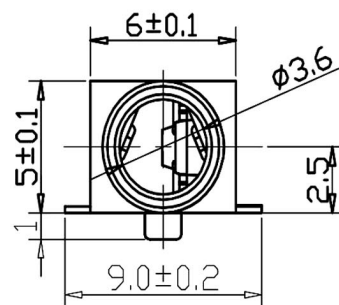
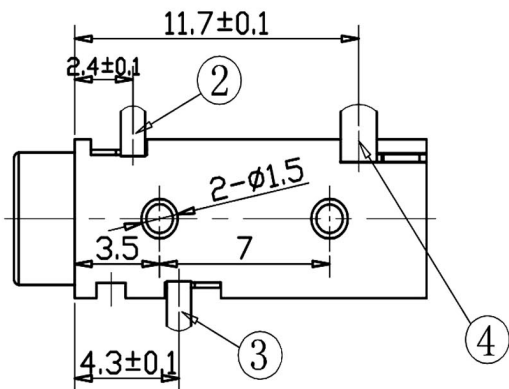
A
B
C
D
E
F
G
H

P.C.B. LAYOUT

TOP VIEW



SCHEMATIC



RATING: DC30V 0.5A
 WITHSTAND VOLTAGE: AC500V(50Hz)/min
 CONTACT RESISTANCE: ≤0.03Ω
 INSULATION RESISTANCE: ≥100MΩ
 WITHDRAW FORCE: 3-20N
 LIFE TEST: 5,000 cycles

4	6# TERMINAL	1	COPPER t:0.30mm	Ag
3	4# TERMINAL	1	COPPER t:0.20mm	Ag
2	3# TERMINAL	1	COPPER t:0.20mm	Ag
1	BASE	1	PA9T	Black
NO.	NAME	Q'TY	MATERIAL	MARK

RoHS
Compliant

HSM 玄茂科技股份有限公司
HSUAN MAO TECHNOLOGY CO., LTD.

APPD. 核准		TOLERANCE 容許公差	PART NAME 品名 3.5Φ EARPHONE JACK 3P WITH TWO PLASTIC POSTS SILVER PLATING BLACK INSULATOR ROHS
DWG. 製圖		SCALE 比例	
DATE 制表日	UNIT 單位	REV. 版次	PART NO. 料號
2017/06/20	M M	A 4	C8521-03MAVB00R

Betty

1 2 3 4 5 6 7 8