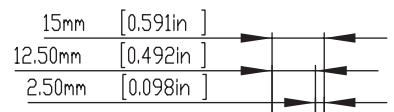
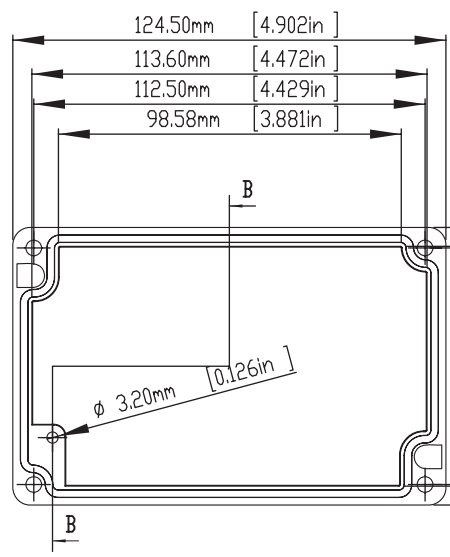
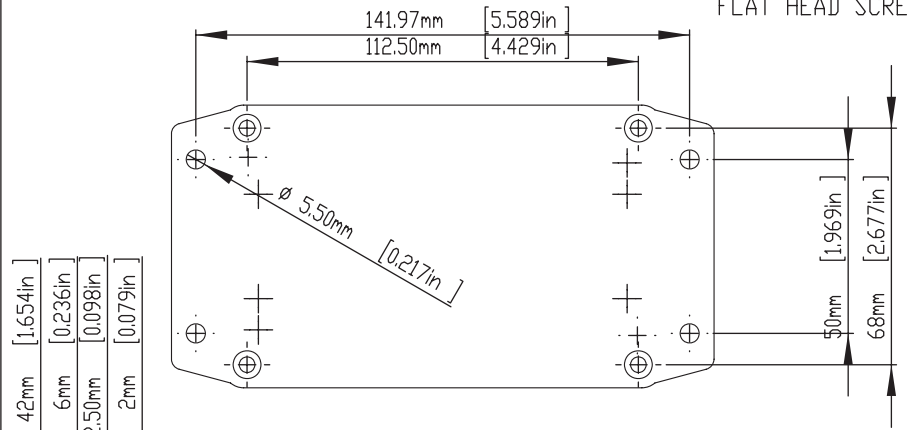


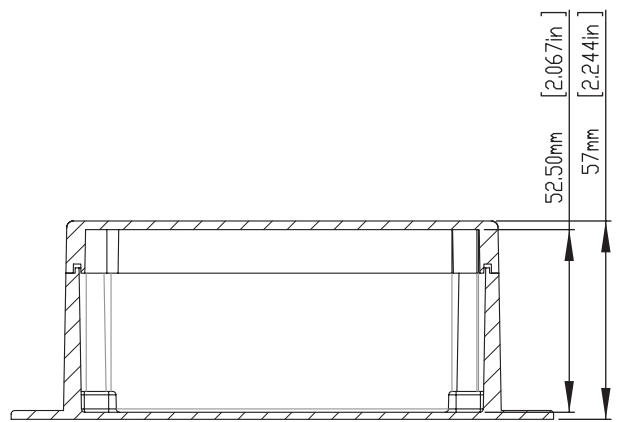
FOUR(4) M4X25mm  
FLAT HEAD SCREWS



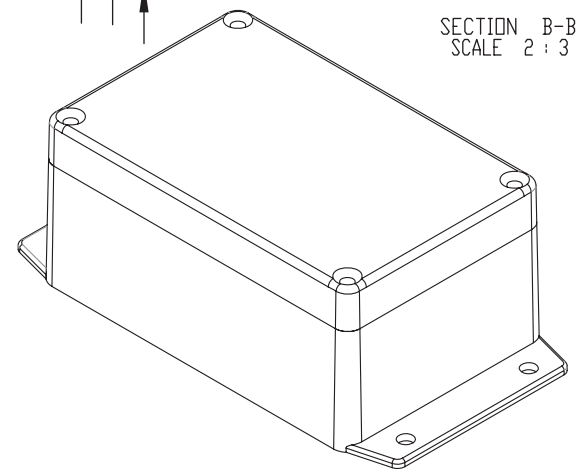
SECTION B-B  
SCALE 2 : 3



SECTION A-A  
SCALE 2 : 3



ASSEMBLY



According to ISO 2768-m

Measuring DIM=L	Tolerances
0.5<L<=3.0mm	±0.1mm
3.0<L<=6.0 mm	±0.1mm
6.0<L<=30.0 mm	±0.2mm
30.0<L<=120.0 mm	±0.3mm
120.0<L<=400.0 mm	±0.5mm
400.0<L<=1000.0 mm	±0.8mm

宣又實業有限公司  
GAINTA INDUSTRIES LTD.

繪圖 DRA'D BY  
JACKY

日期 DATE  
2013/04/01

材質 MATE.  
ALUMINIUM ALLOY ADC-12

圖名TITLE:  
G108MF

圖號DWG NO:

版次REVISID:  
A