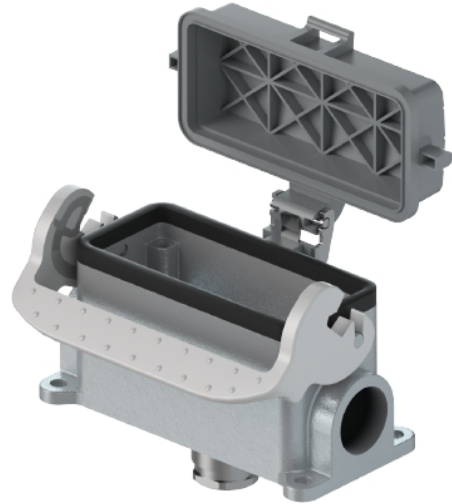


Data sheet

Commercial Art.No.: 71.343.2435.0

Bottom BAS GUT GU 24 M25 A0

Bottom-base revos basic made of aluminum, with single locking lever and cable gland M25 on the bottom, with protective cover (IP54), low version, 24-polig



Commercial Art.No.	71.343.2435.0
EAN	4015573624979
Order Unit	1

Certificates / Approvals



Technical data

General

Housing material	aluminum
Color	Grey
Surface	With powder coating
Degree of protection (IP)	IP54
UV resistant	yes
Inflammability class of insulation material acc. with UL94	Other
Operating temperature range min.	-40 °C
Operating temperature range max.	120 °C

Model

Construction	24
Locking mechanism	Single locking lever
Cable entry	Below
Type of cable	Gland nut
With cable screw gland	yes
Thread size M	25
Thread size PG	
Hinged lid	yes
EMC-version	No
Length	144 mm
Width	57 mm
Height	57 mm

Classification

ECLASS 11	
ECLASS 8.1	27440202
ETIM 7.0	EC000437
ETIM 6.0	EC000437
ETIM 5.0	EC000437
ETIM 4.0	EC000437
ETIM 3.0	EC000437

Product compliance

ROHS conformity status	Compliant/Exempted
ROHS exceptions	III-6(a); III-6(c)
REACH-SVHC conformity status	Duty-To-Declare
REACH-SVHC substances	Lead
REACH-SVHC CAS numbers	7439-92-1

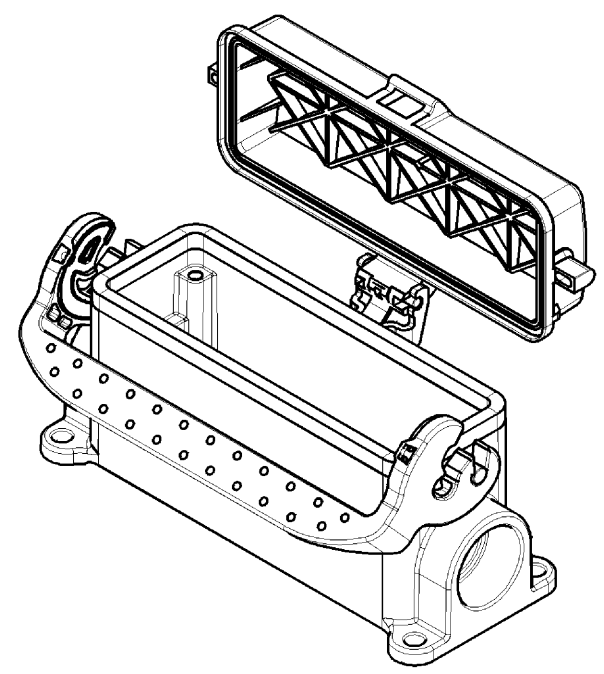
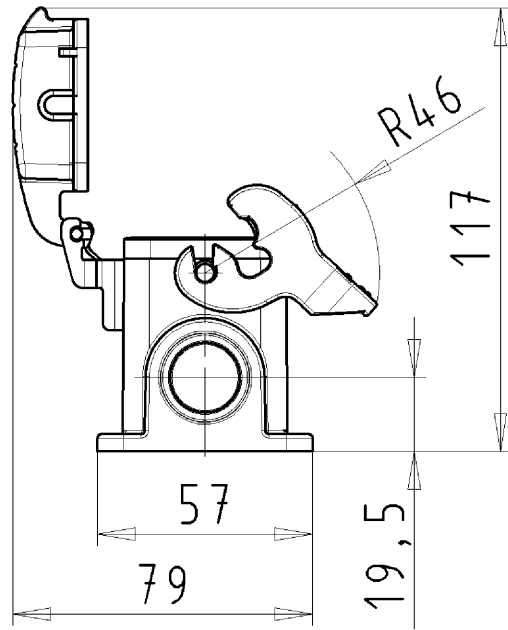
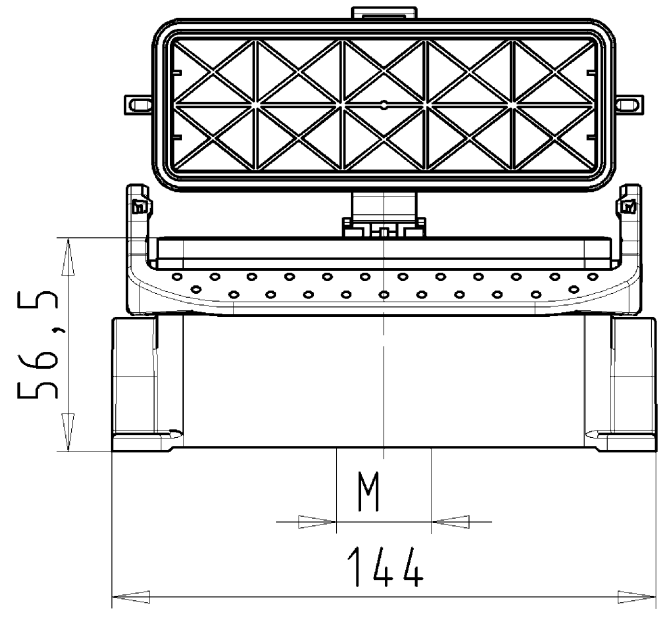
Fits with

Commercial Art.No.:	Article-type description:	Description:
70.100.2453.3	Multipole adapter BAS BAS LL 24 4,0 50	Multipole adapter revos BASIC 500V/16A screw connection 24 pole + ground, long design, female insert, ground left
70.100.2453.4	Multipole adapter BAS BAS KL 24 4,0 50	Multipole adapter revos BASIC 500V/16A screw connection 24 pole + ground, short design, female insert, ground left
70.105.2453.3	Multipole adapter BAS BAS LR 24 4,0 50	Multipole adapter revos BASIC 500V/16A screw connection 24 pole + ground, long design, female insert, ground right
70.105.2453.4	Multipole adapter BAS BAS KR 24 4,0 50	Multipole adapter revos BASIC 500V/16A screw connection 24 pole + ground, short design, female insert, ground right
70.110.2453.3	Multipole adapter BAS SAS LL 24 4,0 50	Multipole adapter revos BASIC 500V/16A screw connection 24 pole + ground, long design, male insert, ground left
70.110.2453.4	Multipole adapter BAS SAS KL 24 4,0 50	Multipole adapter revos BASIC 500V/16A screw connection 24 pole + ground, short design, male insert, ground left
70.115.2453.3	Multipole adapter BAS SAS LR 24 4,0 50	Multipole adapter revos BASIC 500V/16A screw connection 24 pole + ground, long design, male insert, ground right
70.115.2453.4	Multipole adapter BAS SAS KR 24 4,0 50	Multipole adapter revos BASIC 500V/16A screw connection 24 pole + ground, short design, male insert, ground right
70.101.2453.0	Multipole adapter BAS BAF KL 24 2,5 50	Multipole adapter revos BASIC 500V/16A spring clamp connection 24 pole + ground, short design, female insert, ground left
70.106.2453.0	Multipole adapter BAS BAF KR 24 2,5 50	Multipole adapter revos BASIC 500V/16A spring clamp connection 24 pole + ground, short design, female insert, ground right
70.111.2453.0	Multipole adapter BAS SAF KL 24 2,5 50	Multipole adapter revos BASIC 500V/16A spring clamp connection 24 pole + ground, short design, male insert, ground left
70.116.2453.0	Multipole adapter BAS SAF KR 24 2,5 50	Multipole adapter revos BASIC 500V/16A spring clamp connection 24 pole + ground, short design, male insert, ground right
70.300.2440.0	Female insert BAS BUS 24 2,5 50	Female insert revos basic, 24-poles, rated current: 16A, rated voltage:500V, with tin-plated contacts
70.301.2440.0	Female insert BAS BUS 24 2,5 50 AU	Female insert revos basic, 24-poles, rated current: 16A, rated voltage:500V, with gold-plated contacts
70.302.2440.0	Female insert BAS BUS OD 24 2,5 50	Female insert revos basic, 24-poles, rated current: 16A, rated voltage:500V, with tin-plated contacts
70.310.2440.0	Male insert BAS STS 24 2,5 50	Male insert revos basic, 24-poles, rated current: 16A, rated voltage: 500V, with tin-plated contacts
70.311.2440.0	Male insert BAS STS 24 2,5 50 AU	Male insert revos basic, 24-poles, rated current: 16A, rated voltage: 500V, with gold-plated contacts

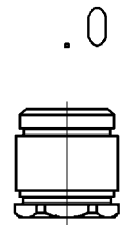
70.312.2440.0	Male insert BAS STS OD 24 2,5 50	Male insert revos basic, 24-poles, rated current: 16A, rated voltage: 500V, with tin-plated contacts
70.500.2453.0	Female insert BAS BUF 24 2,5 50	Female insert revos basic, 24-poles, rated current: 16A, rated voltage:500V, with silver-plated contacts
70.510.2453.0	Male insert BAS STF 24 2,5 50	Male insert revos basic, 24-poles, rated current: 16A, rated voltage: 500V, with tin-plated contacts
70.700.2458.0	Female insert BAS BUC 24 50	Female insert revos basic, 24-poles, rated current: 16A, rated voltage:500V, with tin-plated contacts
70.710.2458.0	Male insert BAS STC 24 50	Male insert revos basic, 24-poles, rated current: 16A, rated voltage: 500V, with tin-plated contacts
70.800.4656.0	Female insert BAS BUCK 46 50 PC	Female insert revos basic, 46-poles, polycarbonate insert, rated current: 16A, rated voltage: 500V, with gold-plated or silver-plated contacts
70.810.4656.0	Male insert BAS STCK 46 50	Male insert revos basic, 46-poles, rated current: 16A, rated voltage: 500V, with gold-plated or silver-plated contacts
70.400.1040.0	Female insert BAS BUS 10 2,5 64	Female insert revos basic, 10-poles, rated current: 16A, rated voltage:690V, with tin-plated contacts
70.410.1040.0	Male insert BAS STS 10 2,5 64	Male insert revos basic, 10-poles, rated current: 16A, rated voltage: 690V, with tin-plated contacts
70.400.1640.0	Female insert BAS BUS 16 2,5 64	Female insert revos basic, 16-poles, rated current: 16A, rated voltage:690V, with tin-plated contacts
70.410.1640.0	Male insert BAS STS 16 2,5 64	Male insert revos basic, 16-poles, rated current: 16A, rated voltage: 690V, with tin-plated contacts
72.300.2453.0	Female insert BAS BUS 24 2,5 69	Female insert revos basic, 24-poles, rated current: 16A, rated voltage:690V, with tin-plated contacts
72.310.2453.0	Male insert BAS STS 24 2,5 69	Male insert revos basic, 24-poles, rated current: 16A, rated voltage: 690V, with tin-plated contacts
72.700.2458.0	Female insert BAS BUC 24 69	Female insert revos basic, 24-poles, rated current: 16A, rated voltage:690V, with tin-plated contacts
72.710.2458.0	Male insert BAS STC 24 69	Male insert revos basic, 24-poles, rated current: 16A, rated voltage: 690V, with tin-plated contacts
73.800.0853.0	Female insert DD BUC 108 1,5 25	revos DD 108 pole + ground, female insert, 250V/10A, crimp connection
73.810.0853.0	Male insert DD STC 108 1,5 25	revos DD 108 pole + ground, male insert 250V/10A, crimp connection
70.405.2453.0	Female insert BAS BUP 24 2,5 50 AG	Female insert revos basic, 24-poles, rated current: 16A, rated voltage:500V, with silver-plated contacts
70.415.2453.0	Male insert BAS STP 24 2,5 50 AG	Male insert revos basic, 24-poles, rated current: 16A, rated voltage: 500V, with silver-plated contacts
72.206.1253.0	Female insert POW BUS 4/8 NL BB AG	
72.216.1253.0	Male insert POW STS 4/8 NL BB AG	

These dimensions will be especially checked at delivery
 Only inspection dimensions
 With ±E marked dimensions are only valid for internal use

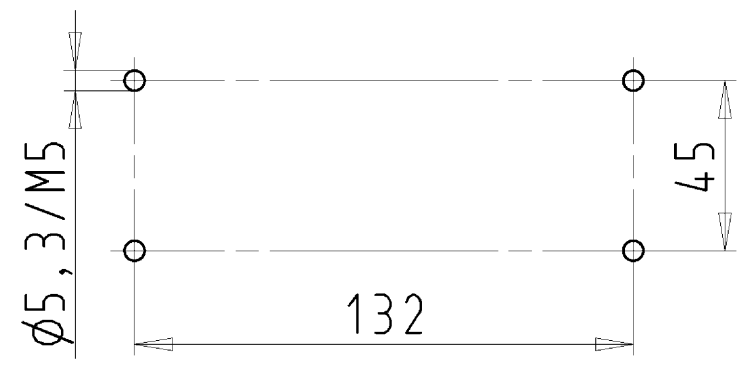
Diese Maße werden bei Abnahme besonders geprüft
 Ausschließlich Prüfmaße
 Mit ±E gekennzeichnete Maße sind nur für interne Zwecke gültig



Varianten/Variants



71.343.2435.1	BAS GUT GU 24 M25 A 1	Gewindebohrung /Thread hole	X
71.343.2435.0	BAS GUT GU 24 M25 A 0	Kabelverschraubung(KV), IP54 montiert /Cable gland(CG), IP54 assembled	
Bestellnummer /Order number	Typ /Type	Varianten /Variants	dar-gestellt /drawed
Weitere Daten siehe KATALOG oder eKatalog. Additional data see CATALOG or eCatalog.		www.wieland-electric.com eshop.wieland-electric.com	



Bohrbild /Cut out

Tolerierung Size ISO 14405/Tolerance system Size ISO 14405. (This ISO-standard describes the envelope principle. According to the envelope principle the deviations of form and parallelism are limited by the size tolerances).		ja/yes <input checked="" type="checkbox"/> Stoffverbots- und Deklarationsliste nach UU-TQM-05/03 ist einzuhalten. Conformity with Wieland document UU-TQM-05/03 (list of prohibited / declarable hazardous substances) to be declared!	
Freitoleranz nach General tolerance		CAD - Zeichnung, keine manuellen Änderungen CAD - drawing, no manual modifications allowed	1.Verwendung: - First Use:
Blatt: 1 von 1 Sheet: of 1		Zeichnung Nr./Drawing No. Index	
T 71.343.2435.0 13K		Maße in mm/Dimensions are in mm	
Werkstoff/Material Aluminium beschichtet/coated grau/grey		2013 Tag/Date Name gezeichnet/drawn 28.06. Treschan geprüft/checked - - Normgepr. Stand. check - -	Ersatz für/Replacement for: -
Vol. mm ³ Ofl./Surf. mm ²		Type Benennung/Titel	
wieland Elektrische Verbindungen		revos BASIC GEHAEUSEUNTERTEIL	
Index Datum / Blatt Date / Sheet		Baugröße 24-Kabelabgang 1xM25 unten Housing size 24-cable outlet 1xM25 below	
Änderung/Revision			

Weitergabe sowie Vervielfältigung dieses Dokuments, Verwertung und Mitteilung seines Inhalts sind verboten, soweit nicht ausdrücklich gestattet.
 The reproduction, distribution and utilization of this document as well as the communication of its contents to others without express authorization is prohibited.

713432435013K_2 CADW3028 Treschan 2013-09-201133257 1.000