



目录 Catalog

- 1、跷板系列.....1-16
Rocker Switch Series
- 2、旋转系列.....17-25
Rotary Switch Series
- 3、按钮系列.....26-31
Push Button Switch Series
- 4、车载充电器系列.....32
Car Charger Switch Series
- 5、过载保护系列.....33
Overload protection Switch Series
- 6、指示灯系列.....34-35
Indicator Light Series



企业简介

宁波万事达综研电气有限公司 是中国电器工业协会电器附件及家用控制器分会理事单位，专业研发、生产和销售各种跷板开关、旋转开关、按钮开关、过载保护开关、琴键开关、指示灯和车载充电器。产品广泛应用于家用电器、工业设备、仪器仪表、通讯器材、办公设备、健康医疗器械、转换器及车辆控制等领域。

公司创建于1996年，厂区占地面积16000平方米，建筑面积25000平方米，位于长江三角洲南翼，国家“AAAAA”级风景旅游区宁波溪口，陆海空交通便捷，人文环境得天独厚。

“**SOKEN**®”为本公司的注册商标，公司于1999年通过ISO9001质量管理体系认证，2004年通过ISO14001环境管理体系认证。现有符合IEC/UL61058标准的实验室，产品取得UL、VDE、TUV、ENEC、KEMA、KC、RCM、PSE、CQC及CE等十多种安全认证，符合RoHS、PAHs和REACH等环保指令的检测要求。

公司拥有各种先进的加工、制造和检测设备，年产各类开关15000万只以上，较国内同行具有显著优势。

公司致力于技术创新和精益生产，追求产品和服务不断完善的经营理念，为全球客户提供全方位的解决方案。

COMPANY'S BRIEF PROFILE

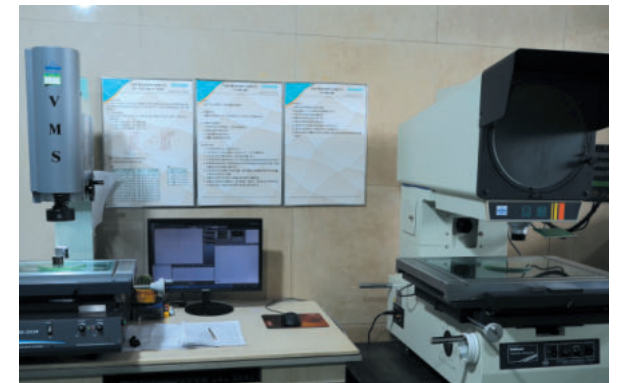
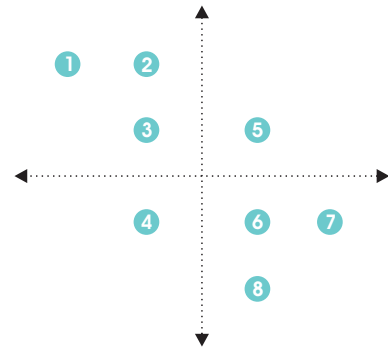
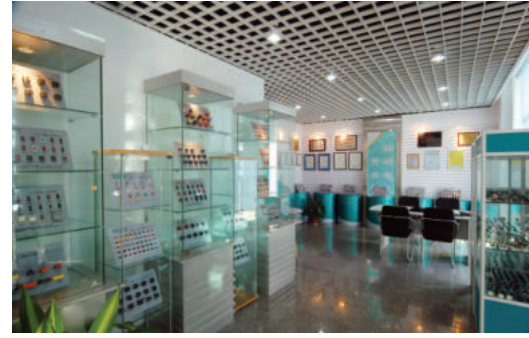
Ningbo Master Soken Electrical Co., Ltd is a director member of Electrical Accessories and Appliance Controllers Branch of CEEIA. We are professional in researching, producing and selling various switches, including Rocker Switch, Rotary Switch, Push Button Switch, Overload Protection Switch, Key Switch, Indicator Light and Car Charger Switch, which are widely used in different fields, such as home appliances, industrial facilities, instruments and meters, communication equipment, health medical equipment, converter and vehicle control.

Our company was founded in 1996, our factory covers gross construction area of 25000 square meters with site district area for 16000 square meters. We are located in Xikou, Ningbo, which is in the south of Yangtze River Delta and known as national 5A level scenery area. The factory benefits from advantaged human environment as well as convenient transportation.

“**SOKEN**” is our brand, our company obtained ISO 9001 certification in 1999 and ISO 14001 certification in 2004. Our company has built the laboratory complying with IEC/UL61058 standards. Most of our products have obtained more than ten safety certifications such as UL, VDE, TUV, ENEC, KEMA, KC, RCM, PSE, CQC and CE, and meet the testing requirements of environmental protection directives such as RoHS, PAHs and REACH.

Our company has a variety of advanced processing, manufacturing and testing equipment, with an annual output of more than 150 million switches of various types, which has a significant advantage over domestic counterparts.

Our company is committed to technological innovation and lean production, pursuing the business philosophy of continuous improvement of products and services, and providing a full range of solutions for global customers.



- ① 办公楼 Office Building
- ② 展示厅 Show Room
- ③ 冲压科 Stamping Section
- ④ 注塑科 Injection Molding Section
- ⑤ 组装科 Assembly Section
- ⑥ 实验中心 Laboratory
- ⑦ 测量室 Measure Room
- ⑧ 加工中心 Machining Center

科学管理 品质提升 客户满意 永续经营



ISO9001 质量管理体系认证
ISO9001 Quality Management System Certification

ISO14001 环境管理体系认证
ISO14001 Environmental Management System Certification



综研开关 匠心制造
SOKEN SWITCH, PRECISION MANUFACTURING

面罩种类 Rocker code

A	B	C	D				
E	F	G	H				
I	J	K	L				
M	N	O	P				
Q	R	S	T				
U	V	W	X				
Y	Z						
面罩 Rocker	●	●	●	●	●		可按客户要求配制 Produce according to customer's requirement
颜色 Color		■	■	■	■	■	
底壳 Housing	●	●	●				

电路特性说明 Circuit Function Description

代号 Code	电路特性 Circuit function	电原理图 Circuit diagram	端子数 Number of terminal
01	ON-OFF (1×1)		2P
02	ON-ON (1×2)		3P
03	ON-OFF-ON (1×3)		3P
04	ON-OFF (1×1N)		3P
05	ON-OFF (1×1N)(常通)		3P
06	ON-OFF (2×1)		4P
07	ON-OFF (2×1N)		4P
08	ON-ON (2×2)		6P
09	ON-OFF-ON (2×3)		6P
10	ON-OFF-ON (2×3)(双复位)		4P
11	ON-OFF (1×1)(复位)		2P
12	ON-OFF (1×1N)(复位)		3P
13	ON-OFF (2×1)(复位)		4P
14	ON-OFF (2×1N)(复位)		4P
15	ON-OFF-ON (2×3)(复位)		6P
16	ON-OFF-ON (2×2N)		6P
17	ON-OFF (1×1×2N)		6P
18	ON-ON (1×1×2N)(常通)		6P

代号 Code	电路特性 Circuit function	电原理图 Circuit diagram	端子数 Number of terminal
19	ON-OFF (1×1×2)		4P
20	ON-ON (1×2×2)		6P

 端子种类说明
Terminal code Description

端子种类 Terminal code			
a		i	
b		j	
c		k	
d		l	
e		m	
f		n	
g		o	
h		p	
q		r	
s		t	
u		v	
w			

可按客户要求制作
Producing according to customer's requirement

型号说明 Model Description


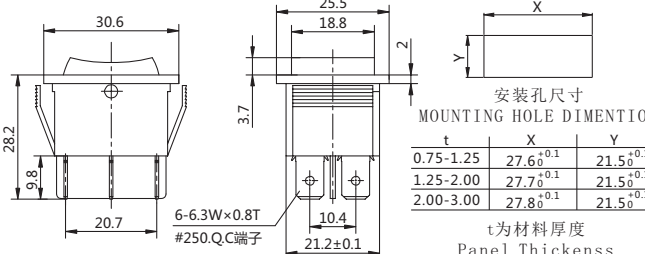

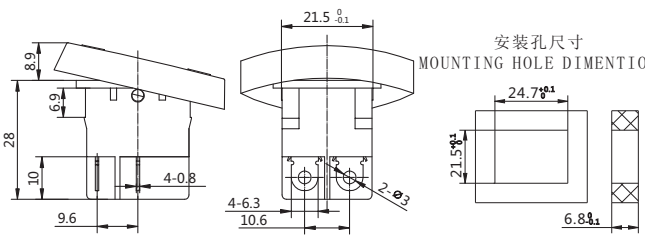

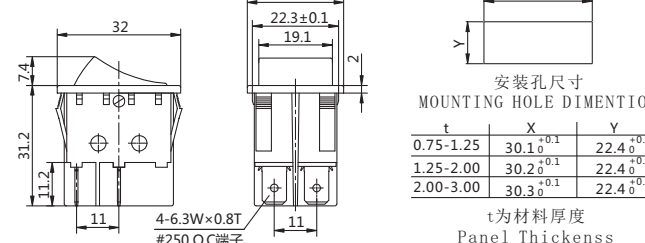

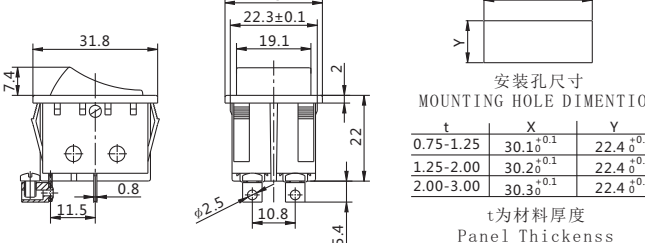

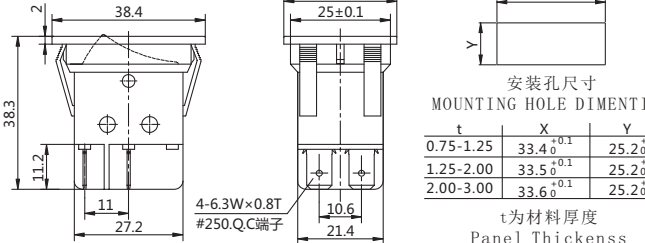

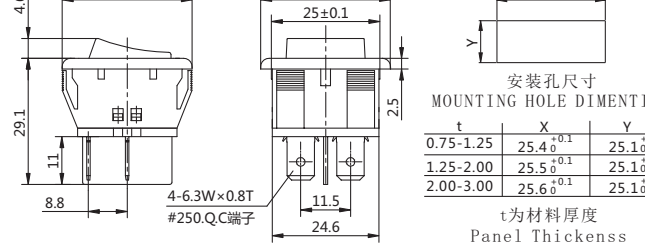
RK1-11-1 04 □ B/B 01 01 □ A □


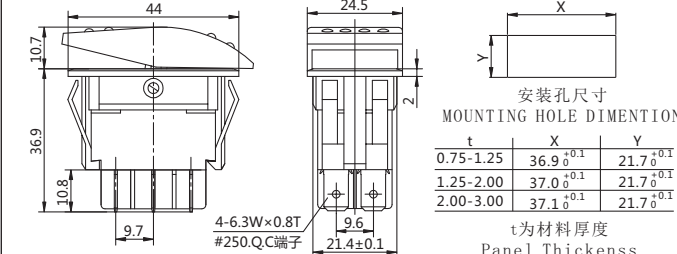

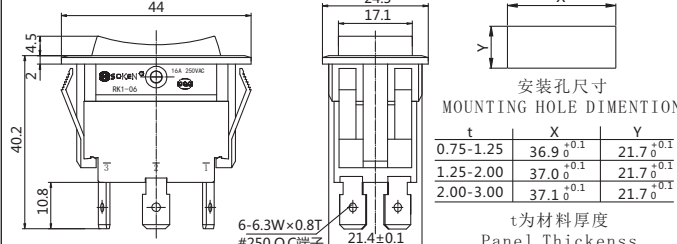

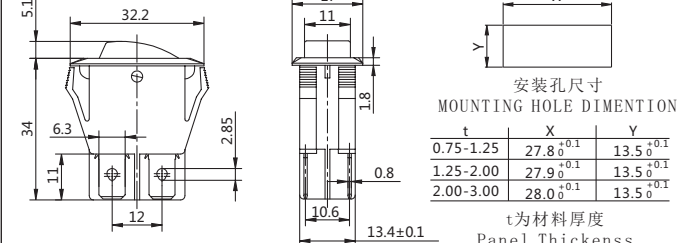

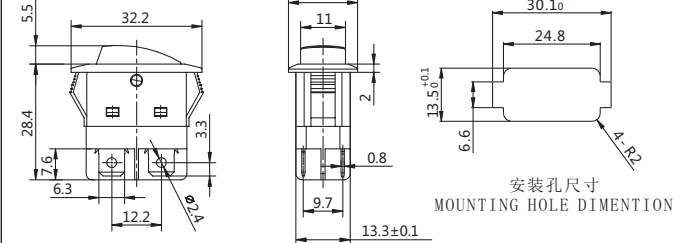

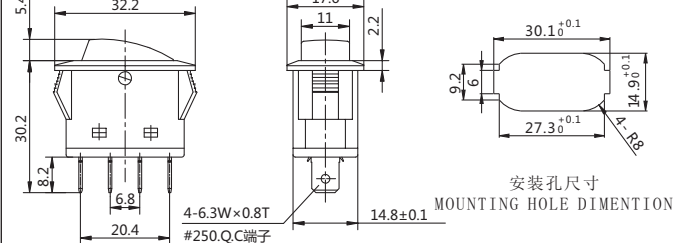

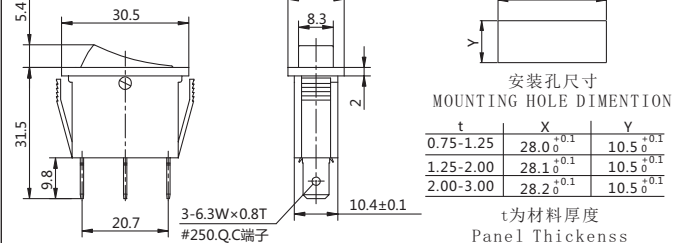
- 带防水罩(B) With waterproof cover
- 端子种类Terminal code
- 移印颜色Pad printing color
- 移印规格Pad printing specification
- 面罩形状Rocker code
- 面罩颜色Rocker color
- 底壳颜色Housing color
- 氖灯颜色R红灯,G绿灯Neon lamp color (R:red;G:Green)
- 电路特性Circuit function
- 底壳类型Housing code
- 设计序号Design sequence
- 开关主体型号Switch model


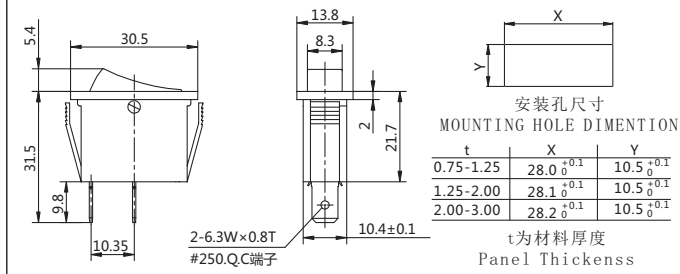

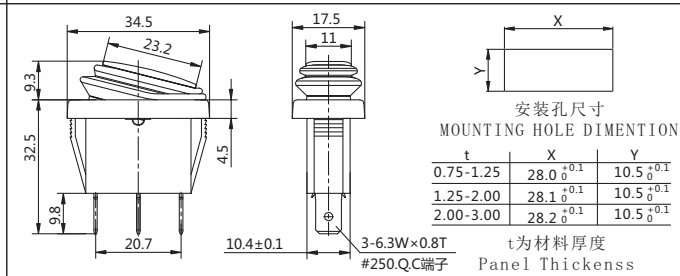

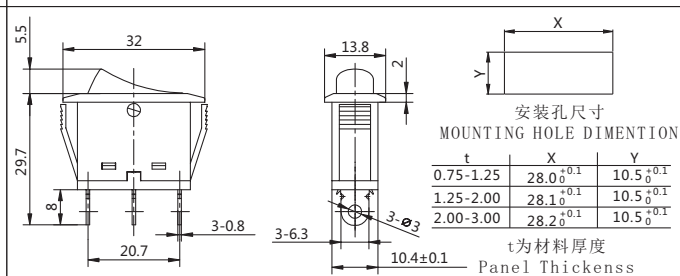

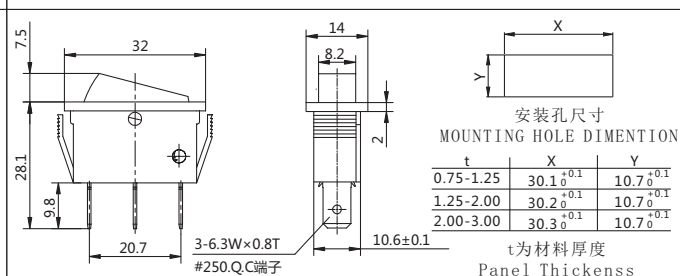

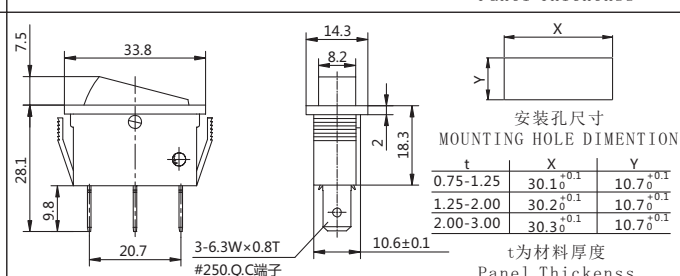

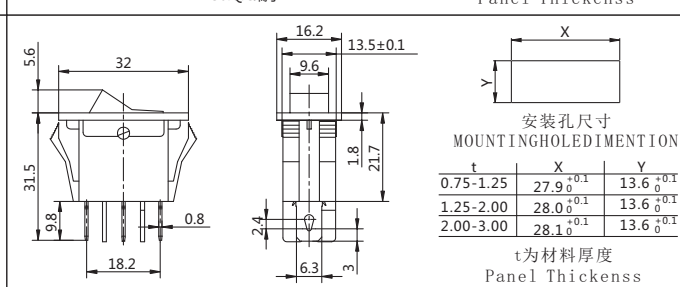
电气参数 Electrical Data


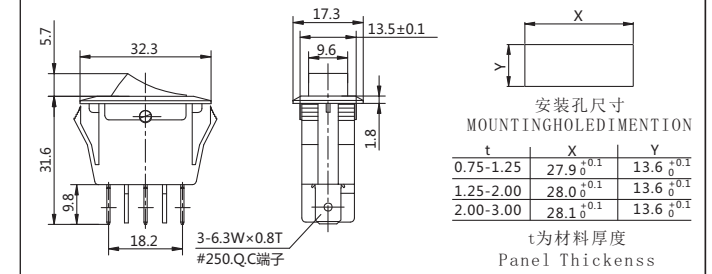

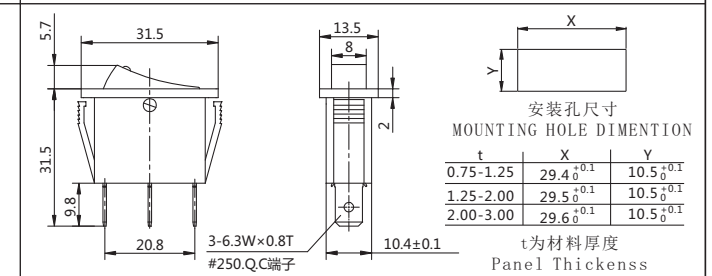

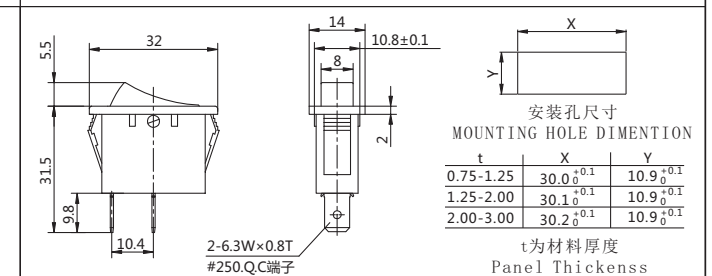

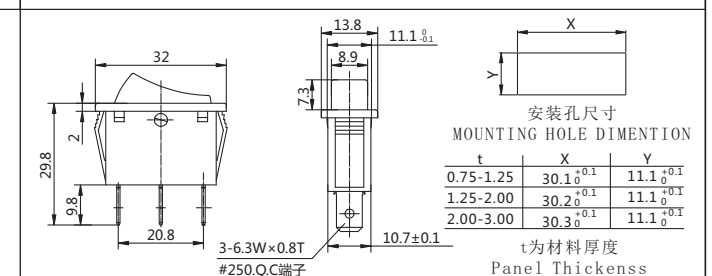

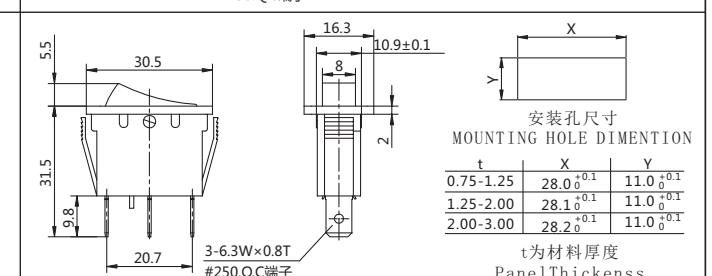

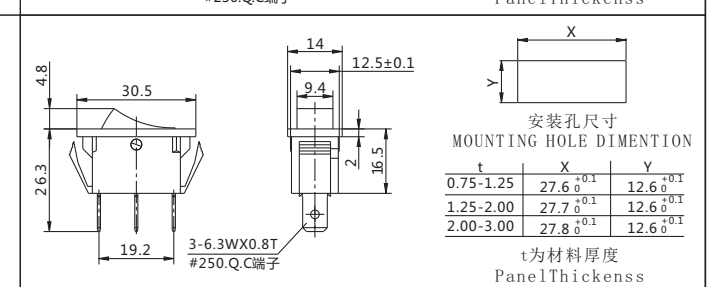
- 接触电阻 Contact Resistance: 100mΩ Max
- 绝缘电阻 Insulation Resistance: 500VDC, 100MΩ Min
- 耐压强度 Dielectric Strength:
 - 端子间 Terminal and terminal: 1500VAC 1min
 - 端子与接地间 Terminal and ground: 3000VAC 1min
- 工作温度 Operating Temperature: -25°C~85°C
- 电气寿命 Electrical Life: 10000 Cycles
- 额定值 Rating:
 - RK1系列 Series: 16A 125VAC(UL), 16(6)A 250VAC(VDE), 16A 250VAC (TUV KEMA/ENEC K CQC RCM), 23A 250VAC T100/55 (TUV)
 - RK2系列 Series: 6A 125VAC, 10A 125/250VAC(UL), 6(4)A 250VAC(VDE), 10A 250VAC(TUV KEMA/ENEC CQC), 16A 250VAC T100/55 (CQC TUV)


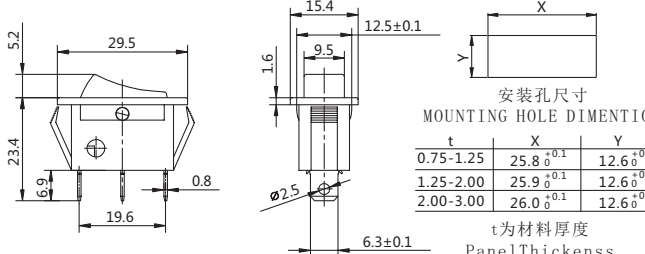

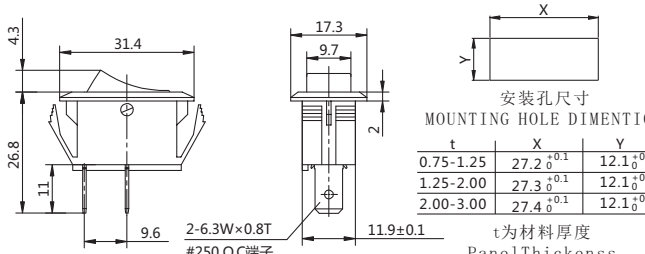

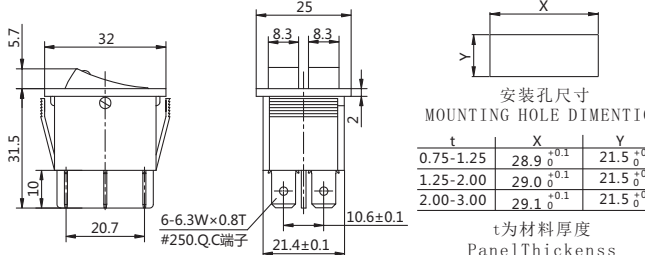

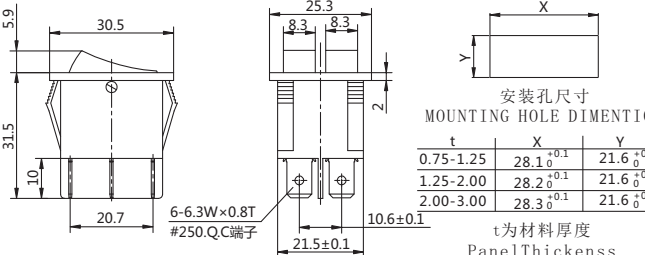

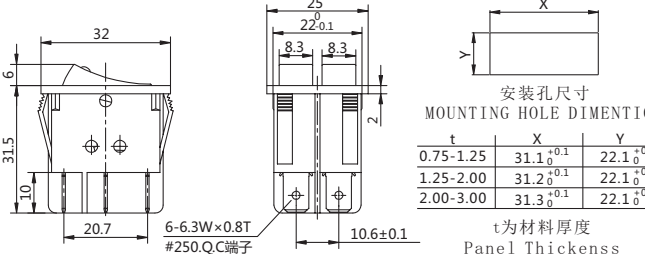

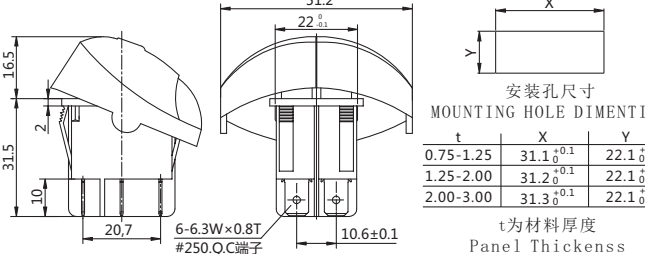
<p>电路特性:06, 07, 08, 16 Circuit function</p> <p>面罩种类:A, B, C, D Rocker code</p> <p>端子种类:a, b Terminal code</p> <p>RK1-01</p>	<p>安装孔尺寸 MOUNTING HOLE DIMENTION</p> <table border="1"> <tr> <th>t</th> <th>X</th> <th>Y</th> </tr> <tr> <td>0.75-1.25</td> <td>27.6^{+0.1}</td> <td>21.5^{+0.1}</td> </tr> <tr> <td>1.25-2.00</td> <td>27.7^{+0.1}</td> <td>21.5^{+0.1}</td> </tr> <tr> <td>2.00-3.00</td> <td>27.8^{+0.1}</td> <td>21.5^{+0.1}</td> </tr> </table> <p>t为材料厚度 Panel Thickness</p>	t	X	Y	0.75-1.25	27.6 ^{+0.1}	21.5 ^{+0.1}	1.25-2.00	27.7 ^{+0.1}	21.5 ^{+0.1}	2.00-3.00	27.8 ^{+0.1}	21.5 ^{+0.1}
t	X	Y											
0.75-1.25	27.6 ^{+0.1}	21.5 ^{+0.1}											
1.25-2.00	27.7 ^{+0.1}	21.5 ^{+0.1}											
2.00-3.00	27.8 ^{+0.1}	21.5 ^{+0.1}											
<p>电路特性:06, 07, 08, 16 Circuit function</p> <p>面罩种类:A, B, C, D Rocker code</p> <p>端子种类:a, b Terminal code</p> <p>RK1-01防水罩</p>	<p>安装孔尺寸 MOUNTING HOLE DIMENTION</p> <table border="1"> <tr> <th>t</th> <th>X</th> <th>Y</th> </tr> <tr> <td>0.75-1.25</td> <td>27.6^{+0.1}</td> <td>21.5^{+0.1}</td> </tr> <tr> <td>1.25-2.00</td> <td>27.7^{+0.1}</td> <td>21.5^{+0.1}</td> </tr> <tr> <td>2.00-3.00</td> <td>27.8^{+0.1}</td> <td>21.5^{+0.1}</td> </tr> </table> <p>t为材料厚度 Panel Thickness</p>	t	X	Y	0.75-1.25	27.6 ^{+0.1}	21.5 ^{+0.1}	1.25-2.00	27.7 ^{+0.1}	21.5 ^{+0.1}	2.00-3.00	27.8 ^{+0.1}	21.5 ^{+0.1}
t	X	Y											
0.75-1.25	27.6 ^{+0.1}	21.5 ^{+0.1}											
1.25-2.00	27.7 ^{+0.1}	21.5 ^{+0.1}											
2.00-3.00	27.8 ^{+0.1}	21.5 ^{+0.1}											
<p>电路特性:06, 07, 08, 16 Circuit function</p> <p>面罩种类:R Rocker code</p> <p>端子种类:a, b Terminal code</p> <p>RK1-01G</p>	<p>安装孔尺寸 MOUNTING HOLE DIMENTION</p> <table border="1"> <tr> <th>t</th> <th>X</th> <th>Y</th> </tr> <tr> <td>0.75-1.25</td> <td>30.0^{+0.1}</td> <td>22.0^{+0.1}</td> </tr> <tr> <td>1.25-2.00</td> <td>30.2^{+0.1}</td> <td>22.0^{+0.1}</td> </tr> <tr> <td>2.00-3.00</td> <td>30.5^{+0.1}</td> <td>22.0^{+0.1}</td> </tr> </table> <p>t为材料厚度 Panel Thickness</p>	t	X	Y	0.75-1.25	30.0 ^{+0.1}	22.0 ^{+0.1}	1.25-2.00	30.2 ^{+0.1}	22.0 ^{+0.1}	2.00-3.00	30.5 ^{+0.1}	22.0 ^{+0.1}
t	X	Y											
0.75-1.25	30.0 ^{+0.1}	22.0 ^{+0.1}											
1.25-2.00	30.2 ^{+0.1}	22.0 ^{+0.1}											
2.00-3.00	30.5 ^{+0.1}	22.0 ^{+0.1}											
<p>电路特性:06, 07, 08, 16 Circuit function</p> <p>面罩种类:A, B, C, D Rocker code</p> <p>端子种类:a, b Terminal code</p> <p>RK1-01A</p>	<p>安装孔尺寸 MOUNTING HOLE DIMENTION</p> <table border="1"> <tr> <th>t</th> <th>X</th> <th>Y</th> </tr> <tr> <td>0.75-1.25</td> <td>27.6^{+0.1}</td> <td>21.5^{+0.1}</td> </tr> <tr> <td>1.25-2.00</td> <td>27.7^{+0.1}</td> <td>21.5^{+0.1}</td> </tr> <tr> <td>2.00-3.00</td> <td>27.8^{+0.1}</td> <td>21.5^{+0.1}</td> </tr> </table> <p>t为材料厚度 Panel Thickness</p>	t	X	Y	0.75-1.25	27.6 ^{+0.1}	21.5 ^{+0.1}	1.25-2.00	27.7 ^{+0.1}	21.5 ^{+0.1}	2.00-3.00	27.8 ^{+0.1}	21.5 ^{+0.1}
t	X	Y											
0.75-1.25	27.6 ^{+0.1}	21.5 ^{+0.1}											
1.25-2.00	27.7 ^{+0.1}	21.5 ^{+0.1}											
2.00-3.00	27.8 ^{+0.1}	21.5 ^{+0.1}											


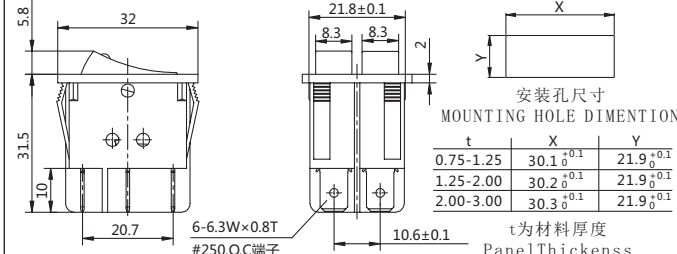

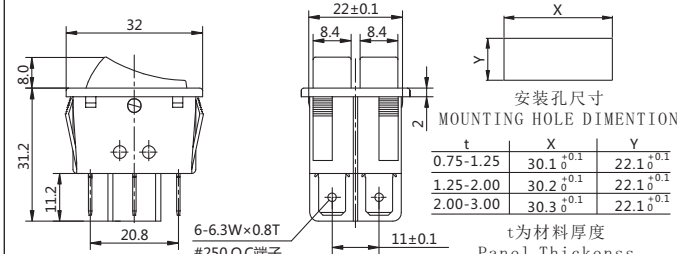

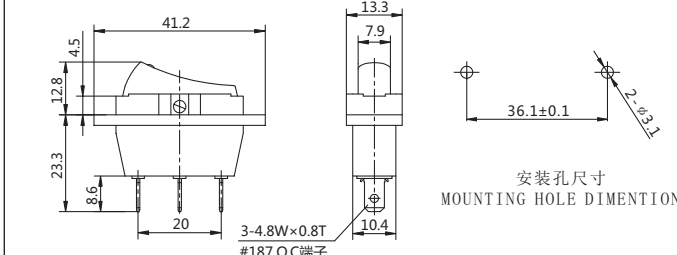

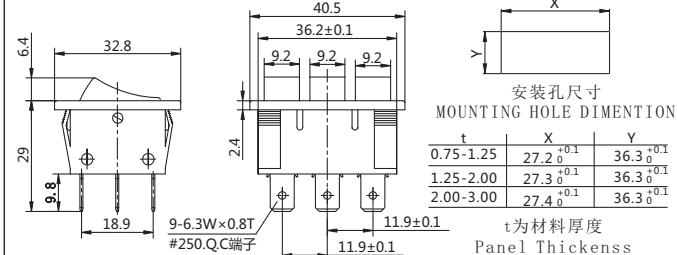

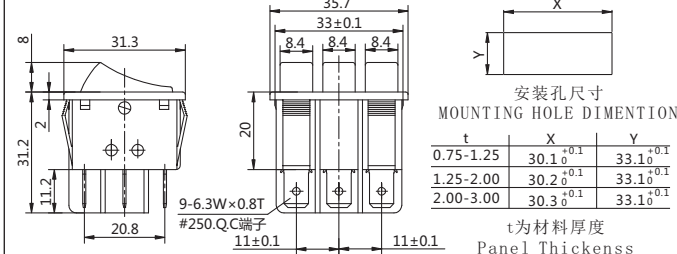

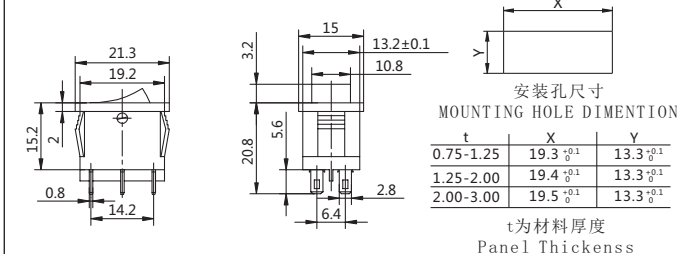
 <p>电路特性:09, 10 Circuit function</p> <p>面罩种类:C Rocker code</p> <p>端子种类:a Terminal code</p> <p>RK1-01 2×3</p>	 <p>安装孔尺寸 MOUNTING HOLE DIMENTION</p> <table border="1"> <thead> <tr> <th>t</th> <th>X</th> <th>Y</th> </tr> </thead> <tbody> <tr> <td>0.75-1.25</td> <td>27.6^{+0.1}</td> <td>21.5^{+0.1}</td> </tr> <tr> <td>1.25-2.00</td> <td>27.7^{+0.1}</td> <td>21.5^{+0.1}</td> </tr> <tr> <td>2.00-3.00</td> <td>27.8^{+0.1}</td> <td>21.5^{+0.1}</td> </tr> </tbody> </table> <p>t为材料厚度 Panel Thickness</p>	t	X	Y	0.75-1.25	27.6 ^{+0.1}	21.5 ^{+0.1}	1.25-2.00	27.7 ^{+0.1}	21.5 ^{+0.1}	2.00-3.00	27.8 ^{+0.1}	21.5 ^{+0.1}
t	X	Y											
0.75-1.25	27.6 ^{+0.1}	21.5 ^{+0.1}											
1.25-2.00	27.7 ^{+0.1}	21.5 ^{+0.1}											
2.00-3.00	27.8 ^{+0.1}	21.5 ^{+0.1}											
 <p>电路特性:06 Circuit function</p> <p>面罩种类:W Rocker code</p> <p>端子种类:a, b Terminal code</p> <p>RK1-02A</p>	 <p>安装孔尺寸 MOUNTING HOLE DIMENTION</p> <table border="1"> <thead> <tr> <th>t</th> <th>X</th> <th>Y</th> </tr> </thead> <tbody> <tr> <td>0.75-1.25</td> <td>36.9^{+0.1}</td> <td>21.7^{+0.1}</td> </tr> <tr> <td>1.25-2.00</td> <td>37.0^{+0.1}</td> <td>21.7^{+0.1}</td> </tr> <tr> <td>2.00-3.00</td> <td>37.1^{+0.1}</td> <td>21.7^{+0.1}</td> </tr> </tbody> </table> <p>t为材料厚度 Panel Thickness</p>	t	X	Y	0.75-1.25	36.9 ^{+0.1}	21.7 ^{+0.1}	1.25-2.00	37.0 ^{+0.1}	21.7 ^{+0.1}	2.00-3.00	37.1 ^{+0.1}	21.7 ^{+0.1}
t	X	Y											
0.75-1.25	36.9 ^{+0.1}	21.7 ^{+0.1}											
1.25-2.00	37.0 ^{+0.1}	21.7 ^{+0.1}											
2.00-3.00	37.1 ^{+0.1}	21.7 ^{+0.1}											
 <p>电路特性:06, 07, 13, 14 Circuit function</p> <p>面罩种类:A, C, G Rocker code</p> <p>端子种类:a Terminal code</p> <p>RK1-03</p>	 <p>安装孔尺寸 MOUNTING HOLE DIMENTION</p> <table border="1"> <thead> <tr> <th>t</th> <th>X</th> <th>Y</th> </tr> </thead> <tbody> <tr> <td>0.75-1.25</td> <td>30.1^{+0.1}</td> <td>22.4^{+0.1}</td> </tr> <tr> <td>1.25-2.00</td> <td>30.2^{+0.1}</td> <td>22.4^{+0.1}</td> </tr> <tr> <td>2.00-3.00</td> <td>30.3^{+0.1}</td> <td>22.4^{+0.1}</td> </tr> </tbody> </table> <p>t为材料厚度 Panel Thickness</p>	t	X	Y	0.75-1.25	30.1 ^{+0.1}	22.4 ^{+0.1}	1.25-2.00	30.2 ^{+0.1}	22.4 ^{+0.1}	2.00-3.00	30.3 ^{+0.1}	22.4 ^{+0.1}
t	X	Y											
0.75-1.25	30.1 ^{+0.1}	22.4 ^{+0.1}											
1.25-2.00	30.2 ^{+0.1}	22.4 ^{+0.1}											
2.00-3.00	30.3 ^{+0.1}	22.4 ^{+0.1}											
 <p>电路特性:06, 07 Circuit function</p> <p>面罩种类:C Rocker code</p> <p>端子种类:d Terminal code</p> <p>RK1-03A</p>	 <p>安装孔尺寸 MOUNTING HOLE DIMENTION</p> <table border="1"> <thead> <tr> <th>t</th> <th>X</th> <th>Y</th> </tr> </thead> <tbody> <tr> <td>0.75-1.25</td> <td>30.1^{+0.1}</td> <td>22.4^{+0.1}</td> </tr> <tr> <td>1.25-2.00</td> <td>30.2^{+0.1}</td> <td>22.4^{+0.1}</td> </tr> <tr> <td>2.00-3.00</td> <td>30.3^{+0.1}</td> <td>22.4^{+0.1}</td> </tr> </tbody> </table> <p>t为材料厚度 Panel Thickness</p>	t	X	Y	0.75-1.25	30.1 ^{+0.1}	22.4 ^{+0.1}	1.25-2.00	30.2 ^{+0.1}	22.4 ^{+0.1}	2.00-3.00	30.3 ^{+0.1}	22.4 ^{+0.1}
t	X	Y											
0.75-1.25	30.1 ^{+0.1}	22.4 ^{+0.1}											
1.25-2.00	30.2 ^{+0.1}	22.4 ^{+0.1}											
2.00-3.00	30.3 ^{+0.1}	22.4 ^{+0.1}											
 <p>电路特性:06, 07 Circuit function</p> <p>面罩种类:C Rocker code</p> <p>端子种类:a Terminal code</p> <p>RK1-03B</p>	 <p>安装孔尺寸 MOUNTING HOLE DIMENTION</p> <table border="1"> <thead> <tr> <th>t</th> <th>X</th> <th>Y</th> </tr> </thead> <tbody> <tr> <td>0.75-1.25</td> <td>33.4^{+0.1}</td> <td>25.2^{+0.1}</td> </tr> <tr> <td>1.25-2.00</td> <td>33.5^{+0.1}</td> <td>25.2^{+0.1}</td> </tr> <tr> <td>2.00-3.00</td> <td>33.6^{+0.1}</td> <td>25.2^{+0.1}</td> </tr> </tbody> </table> <p>t为材料厚度 Panel Thickness</p>	t	X	Y	0.75-1.25	33.4 ^{+0.1}	25.2 ^{+0.1}	1.25-2.00	33.5 ^{+0.1}	25.2 ^{+0.1}	2.00-3.00	33.6 ^{+0.1}	25.2 ^{+0.1}
t	X	Y											
0.75-1.25	33.4 ^{+0.1}	25.2 ^{+0.1}											
1.25-2.00	33.5 ^{+0.1}	25.2 ^{+0.1}											
2.00-3.00	33.6 ^{+0.1}	25.2 ^{+0.1}											
 <p>电路特性:06, 07, 08 Circuit function</p> <p>面罩种类:T Rocker code</p> <p>端子种类:a Terminal code</p> <p>RK1-05</p>	 <p>安装孔尺寸 MOUNTING HOLE DIMENTION</p> <table border="1"> <thead> <tr> <th>t</th> <th>X</th> <th>Y</th> </tr> </thead> <tbody> <tr> <td>0.75-1.25</td> <td>25.4^{+0.1}</td> <td>25.1^{+0.1}</td> </tr> <tr> <td>1.25-2.00</td> <td>25.5^{+0.1}</td> <td>25.1^{+0.1}</td> </tr> <tr> <td>2.00-3.00</td> <td>25.6^{+0.1}</td> <td>25.1^{+0.1}</td> </tr> </tbody> </table> <p>t为材料厚度 Panel Thickness</p>	t	X	Y	0.75-1.25	25.4 ^{+0.1}	25.1 ^{+0.1}	1.25-2.00	25.5 ^{+0.1}	25.1 ^{+0.1}	2.00-3.00	25.6 ^{+0.1}	25.1 ^{+0.1}
t	X	Y											
0.75-1.25	25.4 ^{+0.1}	25.1 ^{+0.1}											
1.25-2.00	25.5 ^{+0.1}	25.1 ^{+0.1}											
2.00-3.00	25.6 ^{+0.1}	25.1 ^{+0.1}											

 <p>电路特性:06, 07, 15 Circuit function</p> <p>面罩种类:L Rocker code</p> <p>端子种类:a Terminal code</p> <p>RK1-06</p>	 <p>安装孔尺寸 MOUNTING HOLE DIMENTION</p> <table border="1"> <thead> <tr> <th>t</th> <th>X</th> <th>Y</th> </tr> </thead> <tbody> <tr> <td>0.75-1.25</td> <td>36.9^{+0.1}</td> <td>21.7^{+0.1}</td> </tr> <tr> <td>1.25-2.00</td> <td>37.0^{+0.1}</td> <td>21.7^{+0.1}</td> </tr> <tr> <td>2.00-3.00</td> <td>37.1^{+0.1}</td> <td>21.7^{+0.1}</td> </tr> </tbody> </table> <p>t为材料厚度 Panel Thickness</p>	t	X	Y	0.75-1.25	36.9 ^{+0.1}	21.7 ^{+0.1}	1.25-2.00	37.0 ^{+0.1}	21.7 ^{+0.1}	2.00-3.00	37.1 ^{+0.1}	21.7 ^{+0.1}
t	X	Y											
0.75-1.25	36.9 ^{+0.1}	21.7 ^{+0.1}											
1.25-2.00	37.0 ^{+0.1}	21.7 ^{+0.1}											
2.00-3.00	37.1 ^{+0.1}	21.7 ^{+0.1}											
 <p>电路特性:06, 07, 10, 15 Circuit function</p> <p>面罩种类:C Rocker code</p> <p>端子种类:a Terminal code</p> <p>RK1-06A</p>	 <p>安装孔尺寸 MOUNTING HOLE DIMENTION</p> <table border="1"> <thead> <tr> <th>t</th> <th>X</th> <th>Y</th> </tr> </thead> <tbody> <tr> <td>0.75-1.25</td> <td>36.9^{+0.1}</td> <td>21.7^{+0.1}</td> </tr> <tr> <td>1.25-2.00</td> <td>37.0^{+0.1}</td> <td>21.7^{+0.1}</td> </tr> <tr> <td>2.00-3.00</td> <td>37.1^{+0.1}</td> <td>21.7^{+0.1}</td> </tr> </tbody> </table> <p>t为材料厚度 Panel Thickness</p>	t	X	Y	0.75-1.25	36.9 ^{+0.1}	21.7 ^{+0.1}	1.25-2.00	37.0 ^{+0.1}	21.7 ^{+0.1}	2.00-3.00	37.1 ^{+0.1}	21.7 ^{+0.1}
t	X	Y											
0.75-1.25	36.9 ^{+0.1}	21.7 ^{+0.1}											
1.25-2.00	37.0 ^{+0.1}	21.7 ^{+0.1}											
2.00-3.00	37.1 ^{+0.1}	21.7 ^{+0.1}											
 <p>电路特性:06, 07 Circuit function</p> <p>面罩种类:M Rocker code</p> <p>端子种类:a Terminal code</p> <p>RK1-09</p>	 <p>安装孔尺寸 MOUNTING HOLE DIMENTION</p> <table border="1"> <thead> <tr> <th>t</th> <th>X</th> <th>Y</th> </tr> </thead> <tbody> <tr> <td>0.75-1.25</td> <td>27.8^{+0.1}</td> <td>13.5^{+0.1}</td> </tr> <tr> <td>1.25-2.00</td> <td>27.9^{+0.1}</td> <td>13.5^{+0.1}</td> </tr> <tr> <td>2.00-3.00</td> <td>28.0^{+0.1}</td> <td>13.5^{+0.1}</td> </tr> </tbody> </table> <p>t为材料厚度 Panel Thickness</p>	t	X	Y	0.75-1.25	27.8 ^{+0.1}	13.5 ^{+0.1}	1.25-2.00	27.9 ^{+0.1}	13.5 ^{+0.1}	2.00-3.00	28.0 ^{+0.1}	13.5 ^{+0.1}
t	X	Y											
0.75-1.25	27.8 ^{+0.1}	13.5 ^{+0.1}											
1.25-2.00	27.9 ^{+0.1}	13.5 ^{+0.1}											
2.00-3.00	28.0 ^{+0.1}	13.5 ^{+0.1}											
 <p>电路特性:06, 07 Circuit function</p> <p>面罩种类:N Rocker code</p> <p>端子种类:a, c Terminal code</p> <p>RK1-010</p>	 <p>安装孔尺寸 MOUNTING HOLE DIMENTION</p> <table border="1"> <thead> <tr> <th>t</th> <th>X</th> <th>Y</th> </tr> </thead> <tbody> <tr> <td>0.75-1.25</td> <td>30.1^{+0.1}</td> <td>24.8</td> </tr> <tr> <td>1.25-2.00</td> <td>30.2^{+0.1}</td> <td>24.8</td> </tr> <tr> <td>2.00-3.00</td> <td>30.3^{+0.1}</td> <td>24.8</td> </tr> </tbody> </table> <p>t为材料厚度 Panel Thickness</p>	t	X	Y	0.75-1.25	30.1 ^{+0.1}	24.8	1.25-2.00	30.2 ^{+0.1}	24.8	2.00-3.00	30.3 ^{+0.1}	24.8
t	X	Y											
0.75-1.25	30.1 ^{+0.1}	24.8											
1.25-2.00	30.2 ^{+0.1}	24.8											
2.00-3.00	30.3 ^{+0.1}	24.8											
 <p>电路特性:06, 07, Circuit function</p> <p>面罩种类:N Rocker code</p> <p>端子种类:a Terminal code</p> <p>RK1-011</p>	 <p>安装孔尺寸 MOUNTING HOLE DIMENTION</p> <table border="1"> <thead> <tr> <th>t</th> <th>X</th> <th>Y</th> </tr> </thead> <tbody> <tr> <td>0.75-1.25</td> <td>28.0^{+0.1}</td> <td>10.5^{+0.1}</td> </tr> <tr> <td>1.25-2.00</td> <td>28.1^{+0.1}</td> <td>10.5^{+0.1}</td> </tr> <tr> <td>2.00-3.00</td> <td>28.2^{+0.1}</td> <td>10.5^{+0.1}</td> </tr> </tbody> </table> <p>t为材料厚度 Panel Thickness</p>	t	X	Y	0.75-1.25	28.0 ^{+0.1}	10.5 ^{+0.1}	1.25-2.00	28.1 ^{+0.1}	10.5 ^{+0.1}	2.00-3.00	28.2 ^{+0.1}	10.5 ^{+0.1}
t	X	Y											
0.75-1.25	28.0 ^{+0.1}	10.5 ^{+0.1}											
1.25-2.00	28.1 ^{+0.1}	10.5 ^{+0.1}											
2.00-3.00	28.2 ^{+0.1}	10.5 ^{+0.1}											
 <p>电路特性:04 Circuit function</p> <p>面罩种类:A, B, C, D, E, F, I, X Rocker code</p> <p>端子种类:a, b Terminal code</p> <p>RK1-11带灯</p>	 <p>安装孔尺寸 MOUNTING HOLE DIMENTION</p> <table border="1"> <thead> <tr> <th>t</th> <th>X</th> <th>Y</th> </tr> </thead> <tbody> <tr> <td>0.75-1.25</td> <td>28.0^{+0.1}</td> <td>10.5^{+0.1}</td> </tr> <tr> <td>1.25-2.00</td> <td>28.1^{+0.1}</td> <td>10.5^{+0.1}</td> </tr> <tr> <td>2.00-3.00</td> <td>28.2^{+0.1}</td> <td>10.5^{+0.1}</td> </tr> </tbody> </table> <p>t为材料厚度 Panel Thickness</p>	t	X	Y	0.75-1.25	28.0 ^{+0.1}	10.5 ^{+0.1}	1.25-2.00	28.1 ^{+0.1}	10.5 ^{+0.1}	2.00-3.00	28.2 ^{+0.1}	10.5 ^{+0.1}
t	X	Y											
0.75-1.25	28.0 ^{+0.1}	10.5 ^{+0.1}											
1.25-2.00	28.1 ^{+0.1}	10.5 ^{+0.1}											
2.00-3.00	28.2 ^{+0.1}	10.5 ^{+0.1}											

 <p>电路特性:01, 02, 03, 05 11, 12 Circuit function 面罩种类:A, B, C, D, E F, I, X Rocker code 端子种类:a, b Terminal code</p> <p>RK1-11</p>	 <p>安装孔尺寸 MOUNTING HOLE DIMENTION</p> <table border="1"> <thead> <tr> <th>t</th> <th>X</th> <th>Y</th> </tr> </thead> <tbody> <tr> <td>0.75-1.25</td> <td>28.0^{+0.1}</td> <td>10.5^{+0.1}</td> </tr> <tr> <td>1.25-2.00</td> <td>28.1^{+0.1}</td> <td>10.5^{+0.1}</td> </tr> <tr> <td>2.00-3.00</td> <td>28.2^{+0.1}</td> <td>10.5^{+0.1}</td> </tr> </tbody> </table> <p>t为材料厚度 Panel Thicknesss</p>	t	X	Y	0.75-1.25	28.0 ^{+0.1}	10.5 ^{+0.1}	1.25-2.00	28.1 ^{+0.1}	10.5 ^{+0.1}	2.00-3.00	28.2 ^{+0.1}	10.5 ^{+0.1}
t	X	Y											
0.75-1.25	28.0 ^{+0.1}	10.5 ^{+0.1}											
1.25-2.00	28.1 ^{+0.1}	10.5 ^{+0.1}											
2.00-3.00	28.2 ^{+0.1}	10.5 ^{+0.1}											
 <p>电路特性:01, 02, 03, 04 Circuit function 面罩种类:Y Rocker code 端子种类:a, b Terminal code</p> <p>RK1-11G</p>	 <p>安装孔尺寸 MOUNTING HOLE DIMENTION</p> <table border="1"> <thead> <tr> <th>t</th> <th>X</th> <th>Y</th> </tr> </thead> <tbody> <tr> <td>0.75-1.25</td> <td>28.0^{+0.1}</td> <td>10.5^{+0.1}</td> </tr> <tr> <td>1.25-2.00</td> <td>28.1^{+0.1}</td> <td>10.5^{+0.1}</td> </tr> <tr> <td>2.00-3.00</td> <td>28.2^{+0.1}</td> <td>10.5^{+0.1}</td> </tr> </tbody> </table> <p>t为材料厚度 Panel Thicknesss</p>	t	X	Y	0.75-1.25	28.0 ^{+0.1}	10.5 ^{+0.1}	1.25-2.00	28.1 ^{+0.1}	10.5 ^{+0.1}	2.00-3.00	28.2 ^{+0.1}	10.5 ^{+0.1}
t	X	Y											
0.75-1.25	28.0 ^{+0.1}	10.5 ^{+0.1}											
1.25-2.00	28.1 ^{+0.1}	10.5 ^{+0.1}											
2.00-3.00	28.2 ^{+0.1}	10.5 ^{+0.1}											
 <p>电路特性:01, 02, 04 Circuit function 面罩种类:C Rocker code 端子种类:a, b Terminal code</p> <p>RK1-11C</p>	 <p>安装孔尺寸 MOUNTING HOLE DIMENTION</p> <table border="1"> <thead> <tr> <th>t</th> <th>X</th> <th>Y</th> </tr> </thead> <tbody> <tr> <td>0.75-1.25</td> <td>28.0^{+0.1}</td> <td>10.5^{+0.1}</td> </tr> <tr> <td>1.25-2.00</td> <td>28.1^{+0.1}</td> <td>10.5^{+0.1}</td> </tr> <tr> <td>2.00-3.00</td> <td>28.2^{+0.1}</td> <td>10.5^{+0.1}</td> </tr> </tbody> </table> <p>t为材料厚度 Panel Thicknesss</p>	t	X	Y	0.75-1.25	28.0 ^{+0.1}	10.5 ^{+0.1}	1.25-2.00	28.1 ^{+0.1}	10.5 ^{+0.1}	2.00-3.00	28.2 ^{+0.1}	10.5 ^{+0.1}
t	X	Y											
0.75-1.25	28.0 ^{+0.1}	10.5 ^{+0.1}											
1.25-2.00	28.1 ^{+0.1}	10.5 ^{+0.1}											
2.00-3.00	28.2 ^{+0.1}	10.5 ^{+0.1}											
 <p>电路特性:01, 02, 03, 04 Circuit function 面罩种类:A, C Rocker code 端子种类:a, b Terminal code</p> <p>RK1-12</p>	 <p>安装孔尺寸 MOUNTING HOLE DIMENTION</p> <table border="1"> <thead> <tr> <th>t</th> <th>X</th> <th>Y</th> </tr> </thead> <tbody> <tr> <td>0.75-1.25</td> <td>30.1^{+0.1}</td> <td>10.7^{+0.1}</td> </tr> <tr> <td>1.25-2.00</td> <td>30.2^{+0.1}</td> <td>10.7^{+0.1}</td> </tr> <tr> <td>2.00-3.00</td> <td>30.3^{+0.1}</td> <td>10.7^{+0.1}</td> </tr> </tbody> </table> <p>t为材料厚度 Panel Thicknesss</p>	t	X	Y	0.75-1.25	30.1 ^{+0.1}	10.7 ^{+0.1}	1.25-2.00	30.2 ^{+0.1}	10.7 ^{+0.1}	2.00-3.00	30.3 ^{+0.1}	10.7 ^{+0.1}
t	X	Y											
0.75-1.25	30.1 ^{+0.1}	10.7 ^{+0.1}											
1.25-2.00	30.2 ^{+0.1}	10.7 ^{+0.1}											
2.00-3.00	30.3 ^{+0.1}	10.7 ^{+0.1}											
 <p>电路特性:01, 04 Circuit function 面罩种类:A, C Rocker code 端子种类:a, b Terminal code</p> <p>RK1-12B</p>	 <p>安装孔尺寸 MOUNTING HOLE DIMENTION</p> <table border="1"> <thead> <tr> <th>t</th> <th>X</th> <th>Y</th> </tr> </thead> <tbody> <tr> <td>0.75-1.25</td> <td>30.1^{+0.1}</td> <td>10.7^{+0.1}</td> </tr> <tr> <td>1.25-2.00</td> <td>30.2^{+0.1}</td> <td>10.7^{+0.1}</td> </tr> <tr> <td>2.00-3.00</td> <td>30.3^{+0.1}</td> <td>10.7^{+0.1}</td> </tr> </tbody> </table> <p>t为材料厚度 Panel Thicknesss</p>	t	X	Y	0.75-1.25	30.1 ^{+0.1}	10.7 ^{+0.1}	1.25-2.00	30.2 ^{+0.1}	10.7 ^{+0.1}	2.00-3.00	30.3 ^{+0.1}	10.7 ^{+0.1}
t	X	Y											
0.75-1.25	30.1 ^{+0.1}	10.7 ^{+0.1}											
1.25-2.00	30.2 ^{+0.1}	10.7 ^{+0.1}											
2.00-3.00	30.3 ^{+0.1}	10.7 ^{+0.1}											
 <p>电路特性:01, 04 Circuit function 面罩种类:A, B, C Rocker code 端子种类:i Terminal code</p> <p>RK1-14</p>	 <p>安装孔尺寸 MOUNTING HOLE DIMENTION</p> <table border="1"> <thead> <tr> <th>t</th> <th>X</th> <th>Y</th> </tr> </thead> <tbody> <tr> <td>0.75-1.25</td> <td>27.9^{+0.1}</td> <td>13.6^{+0.1}</td> </tr> <tr> <td>1.25-2.00</td> <td>28.0^{+0.1}</td> <td>13.6^{+0.1}</td> </tr> <tr> <td>2.00-3.00</td> <td>28.1^{+0.1}</td> <td>13.6^{+0.1}</td> </tr> </tbody> </table> <p>t为材料厚度 Panel Thicknesss</p>	t	X	Y	0.75-1.25	27.9 ^{+0.1}	13.6 ^{+0.1}	1.25-2.00	28.0 ^{+0.1}	13.6 ^{+0.1}	2.00-3.00	28.1 ^{+0.1}	13.6 ^{+0.1}
t	X	Y											
0.75-1.25	27.9 ^{+0.1}	13.6 ^{+0.1}											
1.25-2.00	28.0 ^{+0.1}	13.6 ^{+0.1}											
2.00-3.00	28.1 ^{+0.1}	13.6 ^{+0.1}											


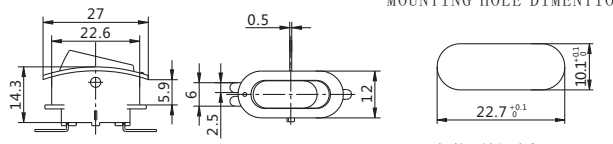

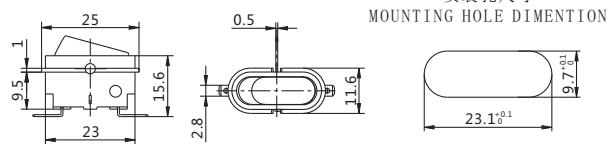

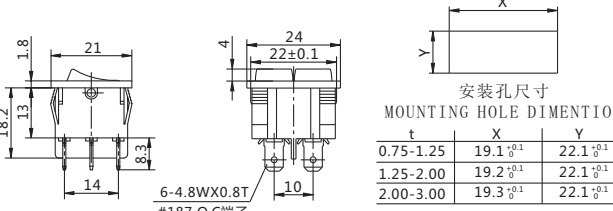

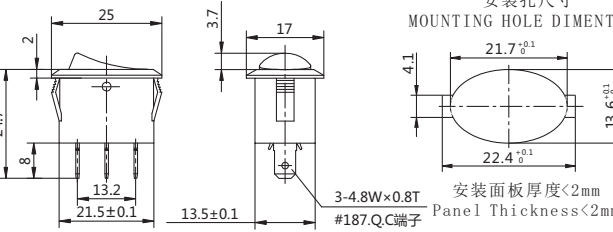

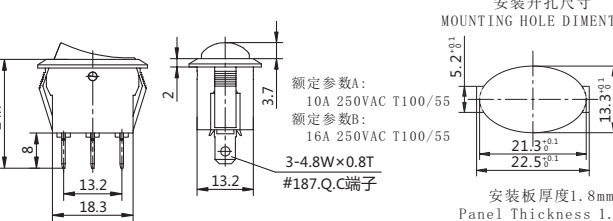

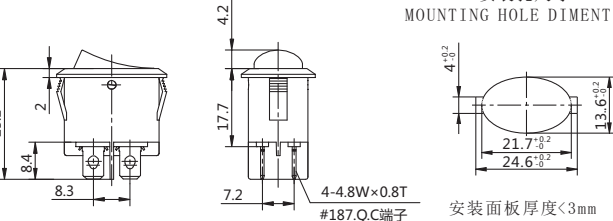
 <p>电路特性:01, 05 Circuit function 面罩种类:A, B, C Rocker code 端子种类:a Terminal code</p> <p>RK1-14B</p>	 <p>安装孔尺寸 MOUNTING HOLE DIMENTION</p> <table border="1"> <thead> <tr> <th>t</th> <th>X</th> <th>Y</th> </tr> </thead> <tbody> <tr> <td>0.75-1.25</td> <td>27.9^{+0.1}</td> <td>13.6^{+0.1}</td> </tr> <tr> <td>1.25-2.00</td> <td>28.0^{+0.1}</td> <td>13.6^{+0.1}</td> </tr> <tr> <td>2.00-3.00</td> <td>28.1^{+0.1}</td> <td>13.6^{+0.1}</td> </tr> </tbody> </table> <p>t为材料厚度 Panel Thicknesss</p>	t	X	Y	0.75-1.25	27.9 ^{+0.1}	13.6 ^{+0.1}	1.25-2.00	28.0 ^{+0.1}	13.6 ^{+0.1}	2.00-3.00	28.1 ^{+0.1}	13.6 ^{+0.1}
t	X	Y											
0.75-1.25	27.9 ^{+0.1}	13.6 ^{+0.1}											
1.25-2.00	28.0 ^{+0.1}	13.6 ^{+0.1}											
2.00-3.00	28.1 ^{+0.1}	13.6 ^{+0.1}											
 <p>电路特性:01, 02, 03, 04, 11, 12 Circuit function 面罩种类:A, B, C, D, X Rocker code 端子种类:a, b Terminal code</p> <p>RK1-15</p>	 <p>安装孔尺寸 MOUNTING HOLE DIMENTION</p> <table border="1"> <thead> <tr> <th>t</th> <th>X</th> <th>Y</th> </tr> </thead> <tbody> <tr> <td>0.75-1.25</td> <td>29.4^{+0.1}</td> <td>10.5^{+0.1}</td> </tr> <tr> <td>1.25-2.00</td> <td>29.5^{+0.1}</td> <td>10.5^{+0.1}</td> </tr> <tr> <td>2.00-3.00</td> <td>29.6^{+0.1}</td> <td>10.5^{+0.1}</td> </tr> </tbody> </table> <p>t为材料厚度 Panel Thicknesss</p>	t	X	Y	0.75-1.25	29.4 ^{+0.1}	10.5 ^{+0.1}	1.25-2.00	29.5 ^{+0.1}	10.5 ^{+0.1}	2.00-3.00	29.6 ^{+0.1}	10.5 ^{+0.1}
t	X	Y											
0.75-1.25	29.4 ^{+0.1}	10.5 ^{+0.1}											
1.25-2.00	29.5 ^{+0.1}	10.5 ^{+0.1}											
2.00-3.00	29.6 ^{+0.1}	10.5 ^{+0.1}											
 <p>电路特性:01, 02, 04 Circuit function 面罩种类:A, B, C, D, X Rocker code 端子种类:a Terminal code</p> <p>RK1-15B</p>	 <p>安装孔尺寸 MOUNTING HOLE DIMENTION</p> <table border="1"> <thead> <tr> <th>t</th> <th>X</th> <th>Y</th> </tr> </thead> <tbody> <tr> <td>0.75-1.25</td> <td>30.0^{+0.1}</td> <td>10.9^{+0.1}</td> </tr> <tr> <td>1.25-2.00</td> <td>30.1^{+0.1}</td> <td>10.9^{+0.1}</td> </tr> <tr> <td>2.00-3.00</td> <td>30.2^{+0.1}</td> <td>10.9^{+0.1}</td> </tr> </tbody> </table> <p>t为材料厚度 Panel Thicknesss</p>	t	X	Y	0.75-1.25	30.0 ^{+0.1}	10.9 ^{+0.1}	1.25-2.00	30.1 ^{+0.1}	10.9 ^{+0.1}	2.00-3.00	30.2 ^{+0.1}	10.9 ^{+0.1}
t	X	Y											
0.75-1.25	30.0 ^{+0.1}	10.9 ^{+0.1}											
1.25-2.00	30.1 ^{+0.1}	10.9 ^{+0.1}											
2.00-3.00	30.2 ^{+0.1}	10.9 ^{+0.1}											
 <p>电路特性:01, 04 Circuit function 面罩种类:C Rocker code 端子种类:i Terminal code</p> <p>RK1-15D</p>	 <p>安装孔尺寸 MOUNTING HOLE DIMENTION</p> <table border="1"> <thead> <tr> <th>t</th> <th>X</th> <th>Y</th> </tr> </thead> <tbody> <tr> <td>0.75-1.25</td> <td>30.1^{+0.1}</td> <td>11.1^{+0.1}</td> </tr> <tr> <td>1.25-2.00</td> <td>30.2^{+0.1}</td> <td>11.1^{+0.1}</td> </tr> <tr> <td>2.00-3.00</td> <td>30.3^{+0.1}</td> <td>11.1^{+0.1}</td> </tr> </tbody> </table> <p>t为材料厚度 Panel Thicknesss</p>	t	X	Y	0.75-1.25	30.1 ^{+0.1}	11.1 ^{+0.1}	1.25-2.00	30.2 ^{+0.1}	11.1 ^{+0.1}	2.00-3.00	30.3 ^{+0.1}	11.1 ^{+0.1}
t	X	Y											
0.75-1.25	30.1 ^{+0.1}	11.1 ^{+0.1}											
1.25-2.00	30.2 ^{+0.1}	11.1 ^{+0.1}											
2.00-3.00	30.3 ^{+0.1}	11.1 ^{+0.1}											
 <p>电路特性:01, 02, 04 Circuit function 面罩种类:A, B, C, D Rocker code 端子种类:a, b Terminal code</p> <p>RK1-16</p>	 <p>安装孔尺寸 MOUNTING HOLE DIMENTION</p> <table border="1"> <thead> <tr> <th>t</th> <th>X</th> <th>Y</th> </tr> </thead> <tbody> <tr> <td>0.75-1.25</td> <td>28.0^{+0.1}</td> <td>11.0^{+0.1}</td> </tr> <tr> <td>1.25-2.00</td> <td>28.1^{+0.1}</td> <td>11.0^{+0.1}</td> </tr> <tr> <td>2.00-3.00</td> <td>28.2^{+0.1}</td> <td>11.0^{+0.1}</td> </tr> </tbody> </table> <p>t为材料厚度 Panel Thicknesss</p>	t	X	Y	0.75-1.25	28.0 ^{+0.1}	11.0 ^{+0.1}	1.25-2.00	28.1 ^{+0.1}	11.0 ^{+0.1}	2.00-3.00	28.2 ^{+0.1}	11.0 ^{+0.1}
t	X	Y											
0.75-1.25	28.0 ^{+0.1}	11.0 ^{+0.1}											
1.25-2.00	28.1 ^{+0.1}	11.0 ^{+0.1}											
2.00-3.00	28.2 ^{+0.1}	11.0 ^{+0.1}											
 <p>电路特性:01, 02, 03, 04 Circuit function 面罩种类:C Rocker code 端子种类:a Terminal code</p> <p>RK1-17</p>	 <p>安装孔尺寸 MOUNTING HOLE DIMENTION</p> <table border="1"> <thead> <tr> <th>t</th> <th>X</th> <th>Y</th> </tr> </thead> <tbody> <tr> <td>0.75-1.25</td> <td>27.6^{+0.1}</td> <td>12.6^{+0.1}</td> </tr> <tr> <td>1.25-2.00</td> <td>27.7^{+0.1}</td> <td>12.6^{+0.1}</td> </tr> <tr> <td>2.00-3.00</td> <td>27.8^{+0.1}</td> <td>12.6^{+0.1}</td> </tr> </tbody> </table> <p>t为材料厚度 Panel Thicknesss</p>	t	X	Y	0.75-1.25	27.6 ^{+0.1}	12.6 ^{+0.1}	1.25-2.00	27.7 ^{+0.1}	12.6 ^{+0.1}	2.00-3.00	27.8 ^{+0.1}	12.6 ^{+0.1}
t	X	Y											
0.75-1.25	27.6 ^{+0.1}	12.6 ^{+0.1}											
1.25-2.00	27.7 ^{+0.1}	12.6 ^{+0.1}											
2.00-3.00	27.8 ^{+0.1}	12.6 ^{+0.1}											


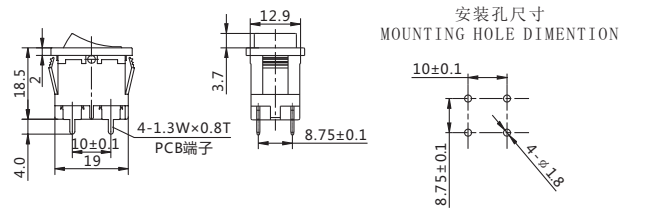

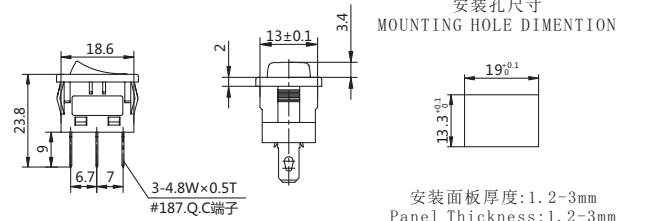
 <p>电路特性:01, 05 Circuit function</p> <p>面罩种类:C Rocker code</p> <p>端子种类:e Terminal code</p> <p>RK1-17A</p>	 <p>安装孔尺寸 MOUNTING HOLE DIMENTION</p> <table border="1"> <thead> <tr> <th>t</th> <th>X</th> <th>Y</th> </tr> </thead> <tbody> <tr> <td>0.75-1.25</td> <td>25.8^{+0.1}</td> <td>12.6^{+0.1}</td> </tr> <tr> <td>1.25-2.00</td> <td>25.9^{+0.1}</td> <td>12.6^{+0.1}</td> </tr> <tr> <td>2.00-3.00</td> <td>26.0^{+0.1}</td> <td>12.6^{+0.1}</td> </tr> </tbody> </table> <p>t为材料厚度 Panel Thicknesss</p>	t	X	Y	0.75-1.25	25.8 ^{+0.1}	12.6 ^{+0.1}	1.25-2.00	25.9 ^{+0.1}	12.6 ^{+0.1}	2.00-3.00	26.0 ^{+0.1}	12.6 ^{+0.1}
t	X	Y											
0.75-1.25	25.8 ^{+0.1}	12.6 ^{+0.1}											
1.25-2.00	25.9 ^{+0.1}	12.6 ^{+0.1}											
2.00-3.00	26.0 ^{+0.1}	12.6 ^{+0.1}											
 <p>电路特性:01, 02, 03 Circuit function</p> <p>面罩种类:C Rocker code</p> <p>端子种类:a Terminal code</p> <p>RK1-19</p>	 <p>安装孔尺寸 MOUNTING HOLE DIMENTION</p> <table border="1"> <thead> <tr> <th>t</th> <th>X</th> <th>Y</th> </tr> </thead> <tbody> <tr> <td>0.75-1.25</td> <td>27.2^{+0.1}</td> <td>12.1^{+0.1}</td> </tr> <tr> <td>1.25-2.00</td> <td>27.3^{+0.1}</td> <td>12.1^{+0.1}</td> </tr> <tr> <td>2.00-3.00</td> <td>27.4^{+0.1}</td> <td>12.1^{+0.1}</td> </tr> </tbody> </table> <p>t为材料厚度 Panel Thicknesss</p>	t	X	Y	0.75-1.25	27.2 ^{+0.1}	12.1 ^{+0.1}	1.25-2.00	27.3 ^{+0.1}	12.1 ^{+0.1}	2.00-3.00	27.4 ^{+0.1}	12.1 ^{+0.1}
t	X	Y											
0.75-1.25	27.2 ^{+0.1}	12.1 ^{+0.1}											
1.25-2.00	27.3 ^{+0.1}	12.1 ^{+0.1}											
2.00-3.00	27.4 ^{+0.1}	12.1 ^{+0.1}											
 <p>电路特性:01, 02, 04, 17, 19, 20 Circuit function</p> <p>面罩种类:A, B, C, D, E, X Rocker code</p> <p>端子种类:a, b Terminal code</p> <p>RK1-21</p>	 <p>安装孔尺寸 MOUNTING HOLE DIMENTION</p> <table border="1"> <thead> <tr> <th>t</th> <th>X</th> <th>Y</th> </tr> </thead> <tbody> <tr> <td>0.75-1.25</td> <td>28.9^{+0.1}</td> <td>21.5^{+0.1}</td> </tr> <tr> <td>1.25-2.00</td> <td>29.0^{+0.1}</td> <td>21.5^{+0.1}</td> </tr> <tr> <td>2.00-3.00</td> <td>29.1^{+0.1}</td> <td>21.5^{+0.1}</td> </tr> </tbody> </table> <p>t为材料厚度 Panel Thicknesss</p>	t	X	Y	0.75-1.25	28.9 ^{+0.1}	21.5 ^{+0.1}	1.25-2.00	29.0 ^{+0.1}	21.5 ^{+0.1}	2.00-3.00	29.1 ^{+0.1}	21.5 ^{+0.1}
t	X	Y											
0.75-1.25	28.9 ^{+0.1}	21.5 ^{+0.1}											
1.25-2.00	29.0 ^{+0.1}	21.5 ^{+0.1}											
2.00-3.00	29.1 ^{+0.1}	21.5 ^{+0.1}											
 <p>电路特性:01, 02, 04, 17, 19, 20 Circuit function</p> <p>面罩种类:A, B, C, D, E, X Rocker code</p> <p>端子种类:a, b Terminal code</p> <p>RK1-22</p>	 <p>安装孔尺寸 MOUNTING HOLE DIMENTION</p> <table border="1"> <thead> <tr> <th>t</th> <th>X</th> <th>Y</th> </tr> </thead> <tbody> <tr> <td>0.75-1.25</td> <td>28.1^{+0.1}</td> <td>21.6^{+0.1}</td> </tr> <tr> <td>1.25-2.00</td> <td>28.2^{+0.1}</td> <td>21.6^{+0.1}</td> </tr> <tr> <td>2.00-3.00</td> <td>28.3^{+0.1}</td> <td>21.6^{+0.1}</td> </tr> </tbody> </table> <p>t为材料厚度 Panel Thicknesss</p>	t	X	Y	0.75-1.25	28.1 ^{+0.1}	21.6 ^{+0.1}	1.25-2.00	28.2 ^{+0.1}	21.6 ^{+0.1}	2.00-3.00	28.3 ^{+0.1}	21.6 ^{+0.1}
t	X	Y											
0.75-1.25	28.1 ^{+0.1}	21.6 ^{+0.1}											
1.25-2.00	28.2 ^{+0.1}	21.6 ^{+0.1}											
2.00-3.00	28.3 ^{+0.1}	21.6 ^{+0.1}											
 <p>电路特性:01, 02, 04, 17, 19, 20 Circuit function</p> <p>面罩种类:A, B, C, D, E, X Rocker code</p> <p>端子种类:a, b Terminal code</p> <p>RK1-23</p>	 <p>安装孔尺寸 MOUNTING HOLE DIMENTION</p> <table border="1"> <thead> <tr> <th>t</th> <th>X</th> <th>Y</th> </tr> </thead> <tbody> <tr> <td>0.75-1.25</td> <td>31.1^{+0.1}</td> <td>22.1^{+0.1}</td> </tr> <tr> <td>1.25-2.00</td> <td>31.2^{+0.1}</td> <td>22.1^{+0.1}</td> </tr> <tr> <td>2.00-3.00</td> <td>31.3^{+0.1}</td> <td>22.1^{+0.1}</td> </tr> </tbody> </table> <p>t为材料厚度 Panel Thicknesss</p>	t	X	Y	0.75-1.25	31.1 ^{+0.1}	22.1 ^{+0.1}	1.25-2.00	31.2 ^{+0.1}	22.1 ^{+0.1}	2.00-3.00	31.3 ^{+0.1}	22.1 ^{+0.1}
t	X	Y											
0.75-1.25	31.1 ^{+0.1}	22.1 ^{+0.1}											
1.25-2.00	31.2 ^{+0.1}	22.1 ^{+0.1}											
2.00-3.00	31.3 ^{+0.1}	22.1 ^{+0.1}											
 <p>电路特性:01, 02, 05, 18, 19, 20 Circuit function</p> <p>面罩种类:K Rocker code</p> <p>端子种类:a, b Terminal code</p> <p>RK1-23球形</p>	 <p>安装孔尺寸 MOUNTING HOLE DIMENTION</p> <table border="1"> <thead> <tr> <th>t</th> <th>X</th> <th>Y</th> </tr> </thead> <tbody> <tr> <td>0.75-1.25</td> <td>31.1^{+0.1}</td> <td>22.1^{+0.1}</td> </tr> <tr> <td>1.25-2.00</td> <td>31.2^{+0.1}</td> <td>22.1^{+0.1}</td> </tr> <tr> <td>2.00-3.00</td> <td>31.3^{+0.1}</td> <td>22.1^{+0.1}</td> </tr> </tbody> </table> <p>t为材料厚度 Panel Thicknesss</p>	t	X	Y	0.75-1.25	31.1 ^{+0.1}	22.1 ^{+0.1}	1.25-2.00	31.2 ^{+0.1}	22.1 ^{+0.1}	2.00-3.00	31.3 ^{+0.1}	22.1 ^{+0.1}
t	X	Y											
0.75-1.25	31.1 ^{+0.1}	22.1 ^{+0.1}											
1.25-2.00	31.2 ^{+0.1}	22.1 ^{+0.1}											
2.00-3.00	31.3 ^{+0.1}	22.1 ^{+0.1}											

 <p>电路特性:01, 02, 04, 17, 19, 20 Circuit function</p> <p>面罩种类:A, B, C, D, E, X Rocker code</p> <p>端子种类:a, b Terminal code</p> <p>RK1-23AB</p>	 <p>安装孔尺寸 MOUNTING HOLE DIMENTION</p> <table border="1"> <thead> <tr> <th>t</th> <th>X</th> <th>Y</th> </tr> </thead> <tbody> <tr> <td>0.75-1.25</td> <td>30.1^{+0.1}</td> <td>21.9^{+0.1}</td> </tr> <tr> <td>1.25-2.00</td> <td>30.2^{+0.1}</td> <td>21.9^{+0.1}</td> </tr> <tr> <td>2.00-3.00</td> <td>30.3^{+0.1}</td> <td>21.9^{+0.1}</td> </tr> </tbody> </table> <p>t为材料厚度 Panel Thicknesss</p>	t	X	Y	0.75-1.25	30.1 ^{+0.1}	21.9 ^{+0.1}	1.25-2.00	30.2 ^{+0.1}	21.9 ^{+0.1}	2.00-3.00	30.3 ^{+0.1}	21.9 ^{+0.1}
t	X	Y											
0.75-1.25	30.1 ^{+0.1}	21.9 ^{+0.1}											
1.25-2.00	30.2 ^{+0.1}	21.9 ^{+0.1}											
2.00-3.00	30.3 ^{+0.1}	21.9 ^{+0.1}											
 <p>电路特性:01, 05, 18, 19 Circuit function</p> <p>面罩种类:C Rocker code</p> <p>端子种类:a Terminal code</p> <p>RK1-23C</p>	 <p>安装孔尺寸 MOUNTING HOLE DIMENTION</p> <table border="1"> <thead> <tr> <th>t</th> <th>X</th> <th>Y</th> </tr> </thead> <tbody> <tr> <td>0.75-1.25</td> <td>30.1^{+0.1}</td> <td>22.1^{+0.1}</td> </tr> <tr> <td>1.25-2.00</td> <td>30.2^{+0.1}</td> <td>22.1^{+0.1}</td> </tr> <tr> <td>2.00-3.00</td> <td>30.3^{+0.1}</td> <td>22.1^{+0.1}</td> </tr> </tbody> </table> <p>t为材料厚度 Panel Thicknesss</p>	t	X	Y	0.75-1.25	30.1 ^{+0.1}	22.1 ^{+0.1}	1.25-2.00	30.2 ^{+0.1}	22.1 ^{+0.1}	2.00-3.00	30.3 ^{+0.1}	22.1 ^{+0.1}
t	X	Y											
0.75-1.25	30.1 ^{+0.1}	22.1 ^{+0.1}											
1.25-2.00	30.2 ^{+0.1}	22.1 ^{+0.1}											
2.00-3.00	30.3 ^{+0.1}	22.1 ^{+0.1}											
 <p>电路特性:01, 04 Circuit function</p> <p>面罩种类:V Rocker code</p> <p>端子种类:c Terminal code</p> <p>RK1-36</p>	 <p>安装孔尺寸 MOUNTING HOLE DIMENTION</p> <p>36.1±0.1</p>												
 <p>电路特性:01, 04 Circuit function</p> <p>面罩种类:C Rocker code</p> <p>端子种类:a Terminal code</p> <p>RK1-37</p>	 <p>安装孔尺寸 MOUNTING HOLE DIMENTION</p> <table border="1"> <thead> <tr> <th>t</th> <th>X</th> <th>Y</th> </tr> </thead> <tbody> <tr> <td>0.75-1.25</td> <td>27.2^{+0.1}</td> <td>36.3^{+0.1}</td> </tr> <tr> <td>1.25-2.00</td> <td>27.3^{+0.1}</td> <td>36.3^{+0.1}</td> </tr> <tr> <td>2.00-3.00</td> <td>27.4^{+0.1}</td> <td>36.3^{+0.1}</td> </tr> </tbody> </table> <p>t为材料厚度 Panel Thicknesss</p>	t	X	Y	0.75-1.25	27.2 ^{+0.1}	36.3 ^{+0.1}	1.25-2.00	27.3 ^{+0.1}	36.3 ^{+0.1}	2.00-3.00	27.4 ^{+0.1}	36.3 ^{+0.1}
t	X	Y											
0.75-1.25	27.2 ^{+0.1}	36.3 ^{+0.1}											
1.25-2.00	27.3 ^{+0.1}	36.3 ^{+0.1}											
2.00-3.00	27.4 ^{+0.1}	36.3 ^{+0.1}											
 <p>电路特性:01, 05 Circuit function</p> <p>面罩种类:C Rocker code</p> <p>端子种类:a Terminal code</p> <p>RK1-37C</p>	 <p>安装孔尺寸 MOUNTING HOLE DIMENTION</p> <table border="1"> <thead> <tr> <th>t</th> <th>X</th> <th>Y</th> </tr> </thead> <tbody> <tr> <td>0.75-1.25</td> <td>30.1^{+0.1}</td> <td>33.1^{+0.1}</td> </tr> <tr> <td>1.25-2.00</td> <td>30.2^{+0.1}</td> <td>33.1^{+0.1}</td> </tr> <tr> <td>2.00-3.00</td> <td>30.3^{+0.1}</td> <td>33.1^{+0.1}</td> </tr> </tbody> </table> <p>t为材料厚度 Panel Thicknesss</p>	t	X	Y	0.75-1.25	30.1 ^{+0.1}	33.1 ^{+0.1}	1.25-2.00	30.2 ^{+0.1}	33.1 ^{+0.1}	2.00-3.00	30.3 ^{+0.1}	33.1 ^{+0.1}
t	X	Y											
0.75-1.25	30.1 ^{+0.1}	33.1 ^{+0.1}											
1.25-2.00	30.2 ^{+0.1}	33.1 ^{+0.1}											
2.00-3.00	30.3 ^{+0.1}	33.1 ^{+0.1}											
 <p>电路特性:06, 08 Circuit function</p> <p>面罩种类:C Rocker code</p> <p>端子种类:l Terminal code</p> <p>RK2-01</p>	 <p>安装孔尺寸 MOUNTING HOLE DIMENTION</p> <table border="1"> <thead> <tr> <th>t</th> <th>X</th> <th>Y</th> </tr> </thead> <tbody> <tr> <td>0.75-1.25</td> <td>19.3^{+0.1}</td> <td>13.3^{+0.1}</td> </tr> <tr> <td>1.25-2.00</td> <td>19.4^{+0.1}</td> <td>13.3^{+0.1}</td> </tr> <tr> <td>2.00-3.00</td> <td>19.5^{+0.1}</td> <td>13.3^{+0.1}</td> </tr> </tbody> </table> <p>t为材料厚度 Panel Thicknesss</p>	t	X	Y	0.75-1.25	19.3 ^{+0.1}	13.3 ^{+0.1}	1.25-2.00	19.4 ^{+0.1}	13.3 ^{+0.1}	2.00-3.00	19.5 ^{+0.1}	13.3 ^{+0.1}
t	X	Y											
0.75-1.25	19.3 ^{+0.1}	13.3 ^{+0.1}											
1.25-2.00	19.4 ^{+0.1}	13.3 ^{+0.1}											
2.00-3.00	19.5 ^{+0.1}	13.3 ^{+0.1}											

	<p>电路特性:06, 07, 08, 09 Circuit function</p> <p>面罩种类:C, H Rocker code</p> <p>端子种类:c Terminal code</p> <p>RK2-02</p>	<p>安装孔尺寸 MOUNTING HOLE DIMENTION</p> <table border="1"> <thead> <tr> <th>t</th> <th>X</th> <th>Y</th> </tr> </thead> <tbody> <tr> <td>0.75-1.25</td> <td>19.6^{+0.1}</td> <td>22.1^{+0.1}</td> </tr> <tr> <td>1.25-2.00</td> <td>19.7^{+0.1}</td> <td>22.1^{+0.1}</td> </tr> <tr> <td>2.00-3.00</td> <td>19.8^{+0.1}</td> <td>22.1^{+0.1}</td> </tr> </tbody> </table> <p>t为材料厚度 Panel Thickness</p>	t	X	Y	0.75-1.25	19.6 ^{+0.1}	22.1 ^{+0.1}	1.25-2.00	19.7 ^{+0.1}	22.1 ^{+0.1}	2.00-3.00	19.8 ^{+0.1}	22.1 ^{+0.1}
t	X	Y												
0.75-1.25	19.6 ^{+0.1}	22.1 ^{+0.1}												
1.25-2.00	19.7 ^{+0.1}	22.1 ^{+0.1}												
2.00-3.00	19.8 ^{+0.1}	22.1 ^{+0.1}												
	<p>电路特性:06, 07 Circuit function</p> <p>面罩种类:C Rocker code</p> <p>端子种类:n Terminal code</p> <p>RK2-03</p>	<p>安装孔尺寸 MOUNTING HOLE DIMENTION</p> <table border="1"> <thead> <tr> <th>t</th> <th>X</th> <th>Y</th> </tr> </thead> <tbody> <tr> <td>0.75-1.25</td> <td>19.0^{+0.1}</td> <td>12.6^{+0.1}</td> </tr> <tr> <td>1.25-2.00</td> <td>19.1^{+0.1}</td> <td>12.6^{+0.1}</td> </tr> <tr> <td>2.00-3.00</td> <td>19.2^{+0.1}</td> <td>12.6^{+0.1}</td> </tr> </tbody> </table> <p>t为材料厚度 Panel Thickness</p>	t	X	Y	0.75-1.25	19.0 ^{+0.1}	12.6 ^{+0.1}	1.25-2.00	19.1 ^{+0.1}	12.6 ^{+0.1}	2.00-3.00	19.2 ^{+0.1}	12.6 ^{+0.1}
t	X	Y												
0.75-1.25	19.0 ^{+0.1}	12.6 ^{+0.1}												
1.25-2.00	19.1 ^{+0.1}	12.6 ^{+0.1}												
2.00-3.00	19.2 ^{+0.1}	12.6 ^{+0.1}												
	<p>电路特性:01, 02, 03 Circuit function</p> <p>面罩种类:Q Rocker code</p> <p>端子种类:c Terminal code</p> <p>RK2-11</p>	<p>安装孔尺寸 MOUNTING HOLE DIMENTION</p> <table border="1"> <thead> <tr> <th>t</th> <th>X</th> <th>Y</th> </tr> </thead> <tbody> <tr> <td>0.75-1.25</td> <td>19.0^{+0.1}</td> <td>13.1^{+0.1}</td> </tr> <tr> <td>1.25-2.00</td> <td>19.1^{+0.1}</td> <td>13.1^{+0.1}</td> </tr> <tr> <td>2.00-3.00</td> <td>19.2^{+0.1}</td> <td>13.1^{+0.1}</td> </tr> </tbody> </table> <p>t为材料厚度 Panel Thickness</p>	t	X	Y	0.75-1.25	19.0 ^{+0.1}	13.1 ^{+0.1}	1.25-2.00	19.1 ^{+0.1}	13.1 ^{+0.1}	2.00-3.00	19.2 ^{+0.1}	13.1 ^{+0.1}
t	X	Y												
0.75-1.25	19.0 ^{+0.1}	13.1 ^{+0.1}												
1.25-2.00	19.1 ^{+0.1}	13.1 ^{+0.1}												
2.00-3.00	19.2 ^{+0.1}	13.1 ^{+0.1}												
	<p>电路特性:01, 02, 03, 04 Circuit function</p> <p>面罩种类:U, P Rocker code</p> <p>端子种类:c, j Terminal code</p> <p>RK2-13</p>	<p>安装孔尺寸 MOUNTING HOLE DIMENTION</p>												
	<p>电路特性:01, 02, 04 Circuit function</p> <p>面罩种类:Z Rocker code</p> <p>端子种类:c, j Terminal code</p> <p>RK2-13G</p>	<p>安装孔尺寸 MOUNTING HOLE DIMENTION</p>												
	<p>电路特性:01, 02, 04 Circuit function</p> <p>面罩种类:P, U Rocker code</p> <p>端子种类:c, j Terminal code</p> <p>RK2-13C</p>	<p>安装孔尺寸 MOUNTING HOLE DIMENTION</p>												

	<p>电路特性:01, 02, 04 Circuit function</p> <p>面罩种类:Z Rocker code</p> <p>端子种类:c, j Terminal code</p> <p>RK2-13CG</p>	<p>安装孔尺寸 MOUNTING HOLE DIMENTION</p>												
	<p>电路特性:06, 07 Circuit function</p> <p>面罩种类:P, U Rocker code</p> <p>端子种类:n Terminal code</p> <p>RK2-13D</p>	<p>安装孔尺寸 MOUNTING HOLE DIMENTION</p>												
	<p>电路特性:05 Circuit function</p> <p>面罩种类:C Rocker code</p> <p>端子种类:c Terminal code</p> <p>RK2-16带灯</p>	<p>安装孔尺寸 MOUNTING HOLE DIMENTION</p> <table border="1"> <thead> <tr> <th>t</th> <th>X</th> <th>Y</th> </tr> </thead> <tbody> <tr> <td>0.75-1.25</td> <td>19.6^{+0.1}</td> <td>12.7^{+0.1}</td> </tr> <tr> <td>1.25-2.00</td> <td>19.7^{+0.1}</td> <td>12.7^{+0.1}</td> </tr> <tr> <td>2.00-3.00</td> <td>19.8^{+0.1}</td> <td>12.7^{+0.1}</td> </tr> </tbody> </table> <p>t为材料厚度 Panel Thickness</p>	t	X	Y	0.75-1.25	19.6 ^{+0.1}	12.7 ^{+0.1}	1.25-2.00	19.7 ^{+0.1}	12.7 ^{+0.1}	2.00-3.00	19.8 ^{+0.1}	12.7 ^{+0.1}
t	X	Y												
0.75-1.25	19.6 ^{+0.1}	12.7 ^{+0.1}												
1.25-2.00	19.7 ^{+0.1}	12.7 ^{+0.1}												
2.00-3.00	19.8 ^{+0.1}	12.7 ^{+0.1}												
	<p>电路特性:01, 02, 03 Circuit function</p> <p>面罩种类:C Rocker code</p> <p>端子种类:c Terminal code</p> <p>RK2-16</p>	<p>安装孔尺寸 MOUNTING HOLE DIMENTION</p> <table border="1"> <thead> <tr> <th>t</th> <th>X</th> <th>Y</th> </tr> </thead> <tbody> <tr> <td>0.75-1.25</td> <td>19.6^{+0.1}</td> <td>13.1^{+0.1}</td> </tr> <tr> <td>1.25-2.00</td> <td>19.7^{+0.1}</td> <td>13.1^{+0.1}</td> </tr> <tr> <td>2.00-3.00</td> <td>19.8^{+0.1}</td> <td>13.1^{+0.1}</td> </tr> </tbody> </table> <p>t为材料厚度 Panel Thickness</p> <p>*可选做防爆开关</p>	t	X	Y	0.75-1.25	19.6 ^{+0.1}	13.1 ^{+0.1}	1.25-2.00	19.7 ^{+0.1}	13.1 ^{+0.1}	2.00-3.00	19.8 ^{+0.1}	13.1 ^{+0.1}
t	X	Y												
0.75-1.25	19.6 ^{+0.1}	13.1 ^{+0.1}												
1.25-2.00	19.7 ^{+0.1}	13.1 ^{+0.1}												
2.00-3.00	19.8 ^{+0.1}	13.1 ^{+0.1}												
	<p>电路特性:01, 05 Circuit function</p> <p>面罩种类:A Rocker code</p> <p>端子种类:g, f Terminal code</p> <p>RK2-19</p>	<p>安装孔尺寸 MOUNTING HOLE DIMENTION</p> <p>安装面板厚度<2mm Panel Thickness<2mm</p>												
	<p>电路特性:01, 05 Circuit function</p> <p>面罩种类:A Rocker code</p> <p>端子种类:g, f Terminal code</p> <p>RK2-19A</p>	<p>安装孔尺寸 MOUNTING HOLE DIMENTION</p> <p>安装面板厚度<2mm Panel Thickness<2mm</p>												

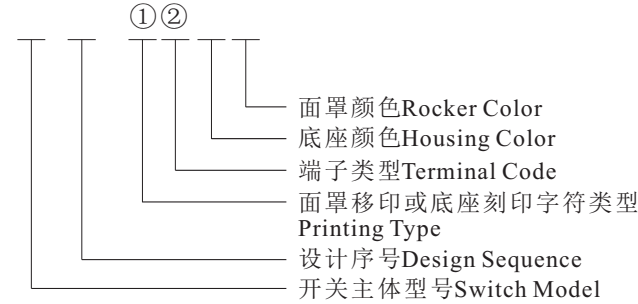
 <p>电路特性:01,05 Circuit function</p> <p>面罩种类:A Rocker code</p> <p>端子种类:g, f Terminal code</p> <p>RK2-19B</p>	<p>安装孔尺寸 MOUNTING HOLE DIMENTION</p>  <p>安装面板厚度<2mm Panel Thickness<2mm</p>												
 <p>电路特性:05 Circuit function</p> <p>面罩种类:A Rocker code</p> <p>端子种类:g Terminal code</p> <p>RK2-19D</p>	<p>安装孔尺寸 MOUNTING HOLE DIMENTION</p>  <p>安装面板厚度<2mm Panel Thickness<2mm</p>												
 <p>电路特性:01, 02, 04 Circuit function</p> <p>面罩种类:C Rocker code</p> <p>端子种类:c Terminal code</p> <p>RK2-21</p>	<p>安装孔尺寸 MOUNTING HOLE DIMENTION</p>  <table border="1" data-bbox="1088 1004 1315 1087"> <thead> <tr> <th>t</th> <th>X</th> <th>Y</th> </tr> </thead> <tbody> <tr> <td>0.75-1.25</td> <td>19.1^{+0.1}</td> <td>22.1^{+0.1}</td> </tr> <tr> <td>1.25-2.00</td> <td>19.2^{+0.1}</td> <td>22.1^{+0.1}</td> </tr> <tr> <td>2.00-3.00</td> <td>19.3^{+0.1}</td> <td>22.1^{+0.1}</td> </tr> </tbody> </table> <p>t为材料厚度 Panel Thickness</p>	t	X	Y	0.75-1.25	19.1 ^{+0.1}	22.1 ^{+0.1}	1.25-2.00	19.2 ^{+0.1}	22.1 ^{+0.1}	2.00-3.00	19.3 ^{+0.1}	22.1 ^{+0.1}
t	X	Y											
0.75-1.25	19.1 ^{+0.1}	22.1 ^{+0.1}											
1.25-2.00	19.2 ^{+0.1}	22.1 ^{+0.1}											
2.00-3.00	19.3 ^{+0.1}	22.1 ^{+0.1}											
 <p>电路特性:01, 02, 05 Circuit function</p> <p>面罩种类:C Rocker code</p> <p>端子种类:c Terminal code</p> <p>RK2-37</p>	<p>安装孔尺寸 MOUNTING HOLE DIMENTION</p>  <p>安装面板厚度<2mm Panel Thickness<2mm</p>												
 <p>电路特性:01, 04 Circuit function</p> <p>面罩种类:C Rocker code</p> <p>端子种类:c Terminal code</p> <p>RK2-37 LED</p>	<p>安装孔尺寸 MOUNTING HOLE DIMENTION</p>  <p>额定参数A: 10A 250VAC T100/55 额定参数B: 16A 250VAC T100/55</p> <p>安装板厚度1.8mm Panel Thickness 1.8mm</p>												
 <p>电路特性:06, 07 Circuit function</p> <p>面罩种类:C Rocker code</p> <p>端子种类:n Terminal code</p> <p>RK2-37D</p>	<p>安装孔尺寸 MOUNTING HOLE DIMENTION</p>  <p>安装面板厚度<3mm Panel Thickness<3mm</p>												

 <p>电路特性:06, 07 Circuit function</p> <p>面罩种类:c Rocker code</p> <p>端子种类:v Terminal code</p> <p>RK2-45</p>	<p>安装孔尺寸 MOUNTING HOLE DIMENTION</p>  <p>4-1.3W×0.8T PCB端子</p>
 <p>电路特性:01, 02, 03, 11 Circuit function</p> <p>面罩种类:C Rocker code</p> <p>端子种类:u, v, i Terminal code</p> <p>RK2-46</p>	<p>安装孔尺寸 MOUNTING HOLE DIMENTION</p>  <p>3-4.8W×0.5T #187.Q.C端子</p> <p>安装面板厚度:1.2-3mm Panel Thickness:1.2-3mm</p>

注：跷板开关发光体可依客户需求分别采用氖泡及发光二极管（LED），发光颜色任意。
Note: For Rocker Switch neon lamp and LED are available, can choose any color.

型号说明 Model Description

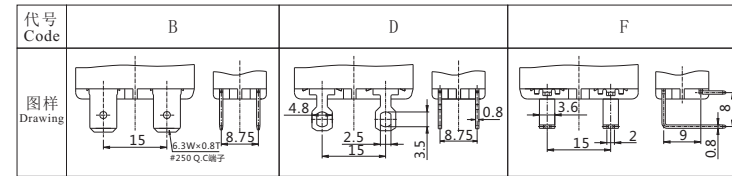
RK 3 - C D 1 1



① 面罩移印或底座刻印字符类型
Printing Type

代号 Code	类型 Type
A	无 None
B	— ↻
C	○
D	○ —

② 端子类型
Terminal Code



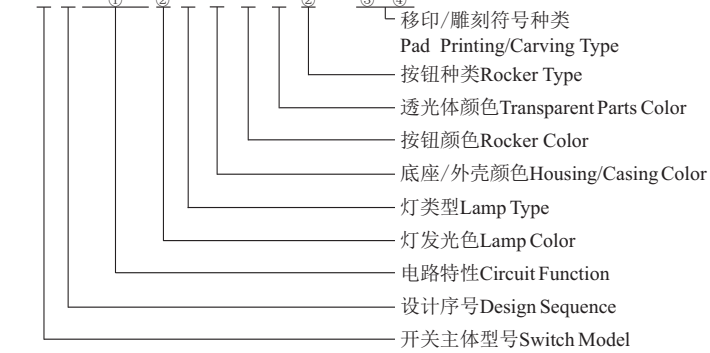
电气参数 Electrical Data

- 1.接触电阻 Contact Resistance: 100mΩ Max
- 2.绝缘电阻 Insulation Resistance: 500VDC, 100MΩ Min
- 3.耐压强度 Dielectric Strength:
 - 端子间 Terminal and terminal: 1500VAC 1min
 - 端子与接地间 Terminal and ground: 3000VAC 1min
- 4.工作温度 Operating Temperature: -25°C~85°C
- 5.电气寿命 Electrical Life: 10000 Cycles
- 6.额定值 Rating:
 - 16A 250VAC(UL+C-UL)
 - 16(4)A 250VAC(TUV)

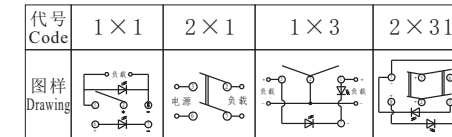
<p>电路特性:06 Circuit function</p> <p>面罩种类:C Rocker code</p> <p>端子种类: Terminal code</p> <p>RK3-CB11</p>	<p>安装孔尺寸 MOUNTING HOLE DIMENTION</p> <p>29±0.1</p> <p>安装面板厚度:2mm Panel Thickness:2mm</p>
<p>电路特性:06 Circuit function</p> <p>面罩种类:C Rocker code</p> <p>端子种类: Terminal code</p> <p>RK3-CD11</p>	<p>安装孔尺寸 MOUNTING HOLE DIMENTION</p> <p>29±0.1</p> <p>安装面板厚度:2mm Panel Thickness:2mm</p>
<p>电路特性:06 Circuit function</p> <p>面罩种类:C Rocker code</p> <p>端子种类: Terminal code</p> <p>RK3-CF11</p>	<p>安装孔尺寸 MOUNTING HOLE DIMENTION</p> <p>29±0.1</p> <p>安装面板厚度:2mm Panel Thickness:2mm</p>

型号说明 Model Description

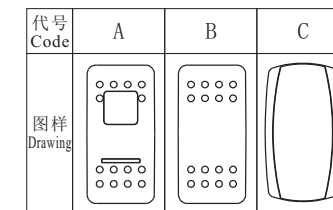
RK 5 □ × □ R L 黑黑 R/A -“聚光灯”



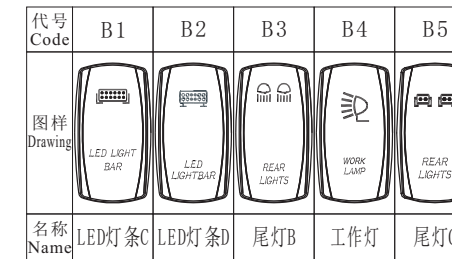
① 电路特性
Circuit Function



② 按钮种类
Rocker Type



④ 雕刻符号种类
Carving Type



电气参数 Electrical Data

- 1.接触电阻 Contact Resistance: 100mΩ Max
- 2.绝缘电阻 Insulation Resistance: 500VDC, 100MΩ Min
- 3.耐压强度 Dielectric Strength:
 - 端子间 Terminal and terminal: 1500VAC 1min
 - 端子与接地间 Terminal and ground: 3000VAC 1min
- 4.工作温度 Operating Temperature: -25°C~85°C
- 5.电气寿命 Electrical Life: 10000 Cycles
- 6.额定值 Rating:
 - 20A 12VDC, 10A 24VDC

③ 移印符号种类
Pad Printing Type

代号 Code	A1	A2	A3	A4	A5	A6	A7	A8	A9
图样 Drawing									
名称 Name	呆板灯	聚光灯	倒车灯	顶置灯	强光灯	LED灯条A	LED灯条B	压缩机A	压缩机B
代号 Code	A10	A11	A12	A13	A14	A15	A16	A17	
图样 Drawing									
名称 Name	天蓬灯	盘灯	车顶LED灯条	车内灯	尾灯A	空气差速锁	灯条	音频灯	

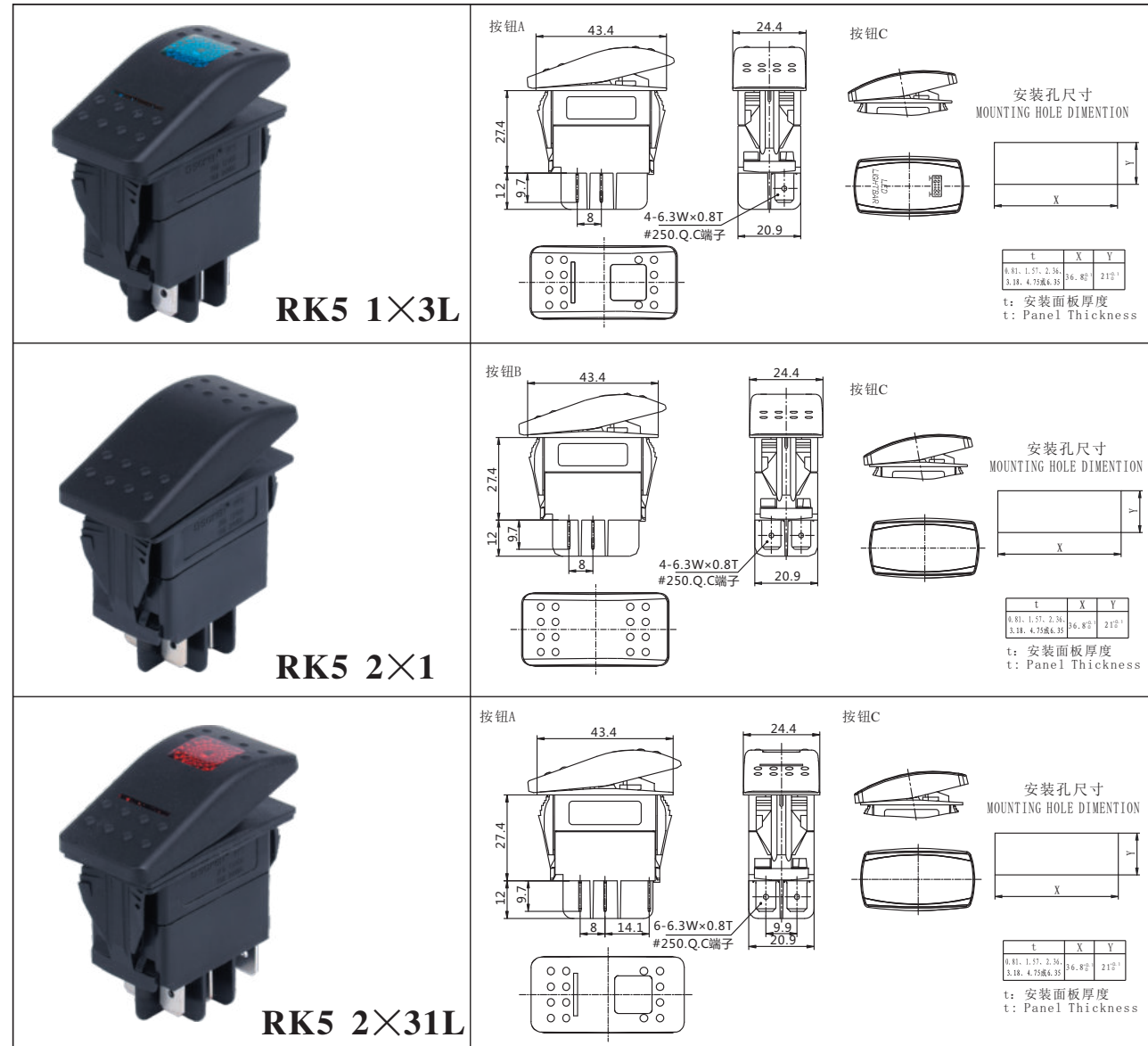
按钮A: 43.4, 27.4, 1.2, 9.7, 8, 14.1, 5-6.3Wx0.8T #250.Q.C端子

按钮C: 24.4, 9.9, 20.9

安装孔尺寸 MOUNTING HOLE DIMENTION

安装面板厚度 t: Panel Thickness

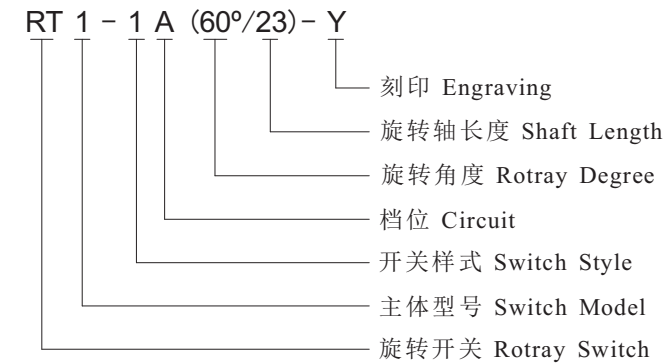
t	X	Y
0.81, 1.52, 2.30	26, 42	21.7
1.18, 4.76, 6.35		



注：按钮A和按钮C适用于带灯开关，按钮B和按钮C适用于无灯开关。按钮A移印字符及按钮C激光雕刻字符均可根据客户要求定制。

Note: Rocker A and Rocker C are suitable for illuminated switches, Rocker B and Rocker C are suitable for lightless switches with no light. Rocker A pad character and Rocker C laser engraving character can be customized according to customer requirements.

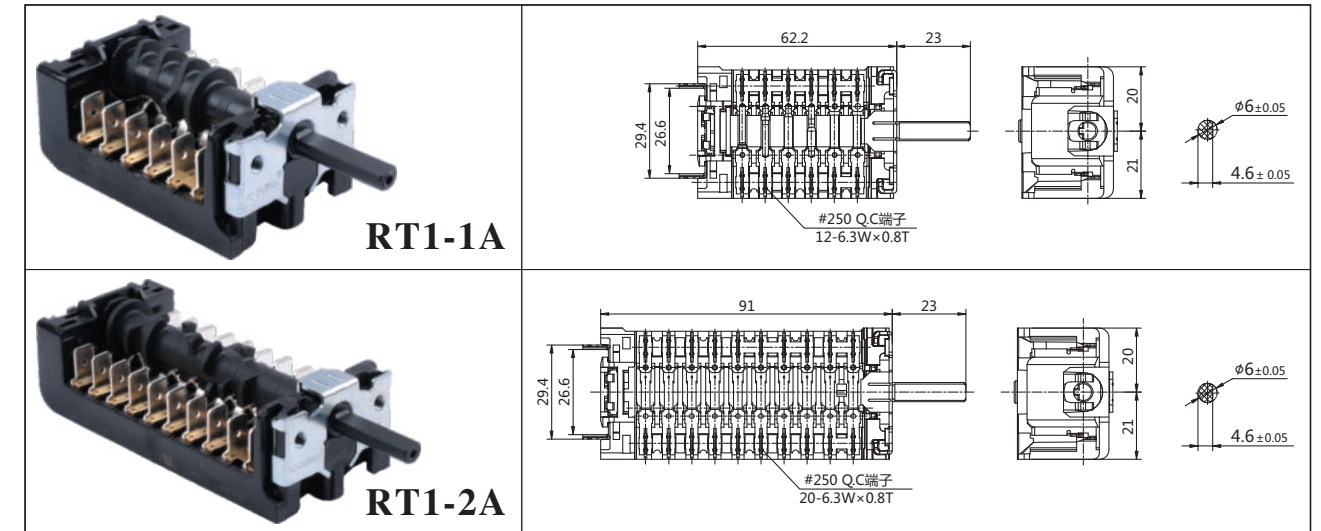
型号说明 Model Description



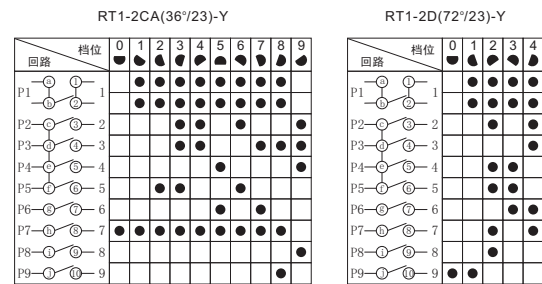
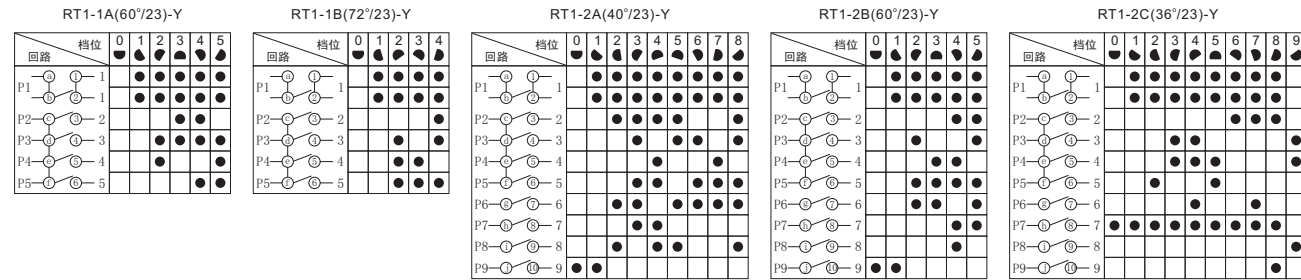
电气参数 Electrical Data

- 1.接触电阻 Contact Resistance: 100mΩ Max
- 2.绝缘电阻 Insulation Resistance: 500VDC, 100MΩ Min
- 3.耐压强度 Dielectric Strength:
 - 端子间 Terminal and terminal: 1500VAC 1min
 - 端子与接地间 Terminal and ground: 3000VAC 1min
- 4.工作温度 Operating Temperature: -25°C~85°C
- 5.电气寿命 Electrical Life: 10000 Cycles
- 6.额定值 Rating:
 - 16A 250VAC T150(TUV)
 - 16RA 125/ 250VAC T150(UL+C-UL)

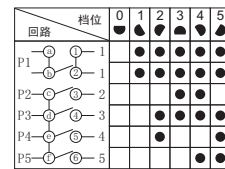
外形尺寸安装图 (Dimensions)



注：开关功能可根据客户要求定制。
Note: Switch function can be customized according to customer's requirements.



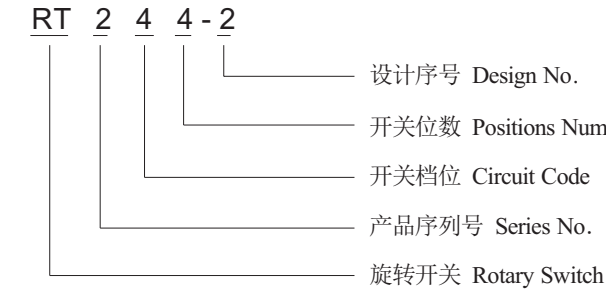
档位图说明 (Circuit description)



左图档位是：
 当旋转轴位于 0 位置时为空档，即全部处于断开状态；
 当旋转轴位于 1 位置时为P1脚和1脚接通；
 当旋转轴位于 2 位置时为P1脚和1脚接通，P3脚和3脚接通，P4脚和4脚接通；
 当旋转轴位于 3 位置时为P1脚和1脚接通，P2脚和2脚接通，P3脚和3脚接通；
 当旋转轴位于 4 位置时为P1脚和1脚接通，P2脚和2脚接通，P3脚和3脚接通，P5脚和5脚接通；
 当旋转轴位于 5 位置时为P1脚和1脚接通，P3脚和3脚接通，P4脚和4脚接通，P5脚和5脚接通；

- ▲ When shaft turns into position 0, all contacts are off;
- ▲ When shaft turns into position 1, terminal P1 and terminal 1 are connected;
- ▲ When shaft turns into position 2, terminal P1 and terminal 1 are connected, terminal P3 and terminal 3 are connected, terminal P4 and terminal 4 are connected;
- ▲ When shaft turns into position 3, terminal P1 and terminal 1 are connected, terminal P2 and terminal 2 are connected, terminal P3 and terminal 3 are connected;
- ▲ When shaft turns into position 4, terminal P1 and terminal 1 are connected, terminal P2 and terminal 2 are connected, terminal P3 and terminal 3 are connected, terminal P5 and terminal 5 are connected.
- ▲ When shaft turns into position 5, terminal P1 and terminal 1 are connected, terminal P3 and terminal 3 are connected, terminal P4 and terminal 4 are connected, terminal P5 and terminal 5 are connected.

型号说明 Model Description



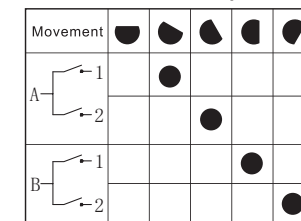
电气参数 Electrical Data

- 1.接触电阻 Contact Resistance: 100mΩ Max
- 2.绝缘电阻 Insulation Resistance: 500VDC, 100MΩ Min
- 3.耐压强度 Dielectric Strength
 端子间 Terminal and terminal: 1500VAC 1min
 端子与接地间 Terminal and ground: 3000VAC 1min
- 4.工作温度 Operating Temperature: -25°C~85°C
- 5.电气寿命 Electrical Life: 10000 Cycles
- 6.额定值 Rating:
 16A 250VAC T100(CQC VDE K UL+C-UL)
 25A 250VAC T100(CQC)

外形尺寸安装图 (Dimensions)

		旋转轴长度种类 (Shaft length Type) L1=11.4mm L2=15mm L3=18mm L4=23mm L5=26mm	2进4出旋转开关 2 in 4 out Rotary Switch
		旋转轴长度种类 (Shaft length Type) L1=11.4mm L2=15mm L3=18mm L4=23mm L5=26mm	3进4出旋转开关 3 in 4 out Rotary Switch
		RT733-1 1360 规格 1. 20x20 规格 20x20 360° 旋转, 1. 2 和 30° 旋转 规格 0 1 2 3 RT733-2 1360 规格 1. 20x20 规格 20x20 360° 旋转, 1. 2 和 30° 旋转 规格 0 1 2 3	电气参数 Operating data: 8A 125VAC T100 16A 250VAC T100

档位图说明(Circuit description)



左图档位是：
 当旋转轴位于 0 位置时为空档，即全部处于断开状态；
 当旋转轴位于 1 位置时为A脚和1脚接通；
 当旋转轴位于 2 位置时为A脚和2脚接通；
 当旋转轴位于 3 位置时为B脚和3脚接通；
 当旋转轴位于 4 位置时为B脚和4脚接通；

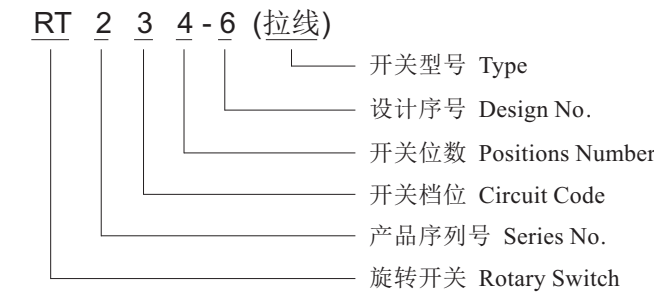
The sample sketch's circuit functions are as follows:

- ▲ When shaft keeps in position 0, all contacts are free;
- ▲ When shaft turns into position 1, terminal A and terminal 1 are connected;
- ▲ When shaft turns into position 2, terminal A and terminal 2 are connected;
- ▲ When shaft turns into position 3, terminal B and terminal 3 are connected;
- ▲ When shaft turns into position 4, terminal B and terminal 4 are connected.

旋转开关各档位图列表 Rotary switch's position table

RT211-1	RT211-1A	RT211-1B	RT221-1 (19°一档, one shift)	RT221-1A (30°一档, one shift)	RT222-1	RT222-1A (45°一档, one shift)	RT222-2
RT222-3	RT222-3C	RT222-4	RT222-4A	RT223-1	RT223-2	RT223-1A	RT223-3M
RT224-1	RT224-2 30°复位Restoration 45°定位Orientation	RT232-1	RT232-2	RT232-4	RT232-5 360°旋转revolve,40°一档 one shift	RT233-1	RT233-1-B
RT233-1C	RT233-2	RT233-2A	RT233-2A-1	RT233-3	RT233-4	RT233-4A	RT233-4-B
RT233-5	RT233-6	RT233-7 (反转 contra rotate)	RT233-8	RT233-8V	RT233-9	RT233-10 0、1、2档30°,3档270°	RT233-10A
RT234-1	RT234-1-A	RT234-2	RT234-3	RT234-4	RT234-5	RT234-7	RT234-8
RT234-9 (45°一档, one shift)	RT234-10	RT242-1 (360°旋转,2档270°,其余3档为30°) 360°revolving, the two shifts are 270° the rest the others are 30° degree each.	RT242-2 (360°旋转,0、1档为30°) 360°revolving, the 0、1 one 30° degree each.	RT242-3	RT243-1	RT243-2	RT243-2A
RT243-3	RT244-1	RT244-1B	RT244-2	RT244-3	RT244-4	RT244-5	RT244-6
RT244-7	RT253-1	RT253-2	RT253-3 (360°旋转revolve,60°一档 one shift)	RT253-7	RT254-1	RT262-1	RT273-1 (360°旋转revolve,45°一档 one shift)
RT282-1	RT284-1 (360°旋转revolve,45°一档 one shift)	RT284-1A (360°旋转revolve,45°一档 one shift)	RT284-3 (360°旋转revolve,45°一档 one shift)	可按客户要求制作 Producing accoring to customer's requirement			

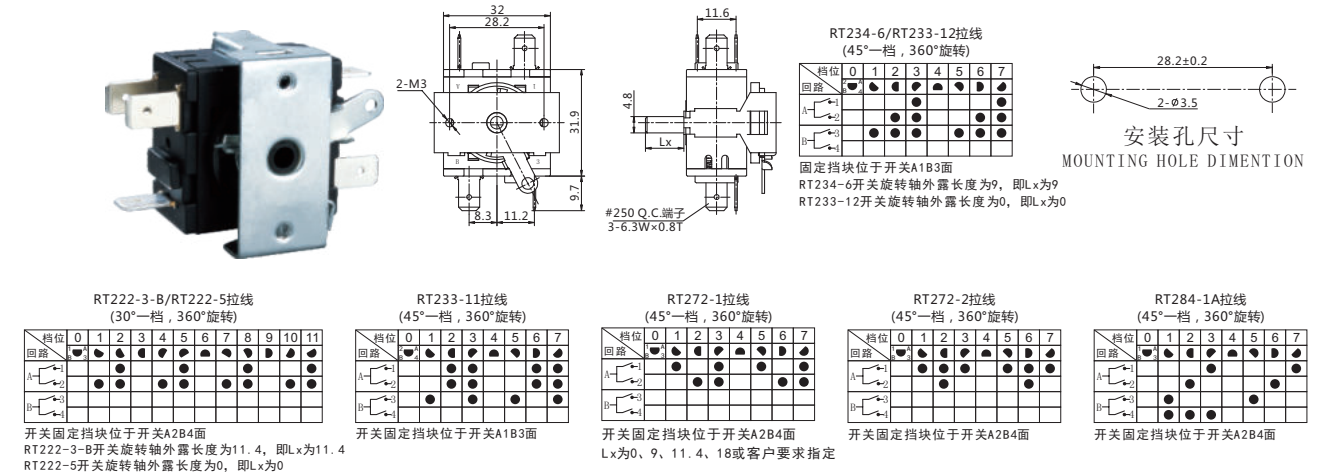
型号说明 Model Description



电气参数 Electrical Data

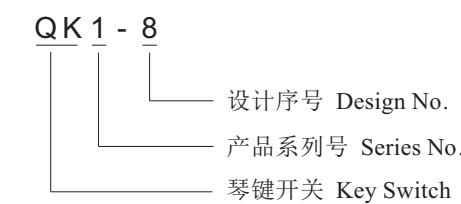
- 1.接触电阻 Contact Resistance: 100mΩ Max
- 2.绝缘电阻 Insulation Resistance: 500VDC, 100MΩ Min
- 3.耐压强度 Dielectric Strength
端子间 Terminal and terminal: 1500VAC 1min
端子与接地间 Terminal and ground: 3000VAC 1min
- 4.工作温度 Operating Temperature: -25°C~85°C
- 5.电气寿命 Electrical Life: 10000 Cycles
- 6.额定值 Rating:
16A 250VAC T100(VDE CQC K UL+C-UL)

外形尺寸安装图 (Dimensions)



Key Switch Series 琴键系列

型号说明 Model Description



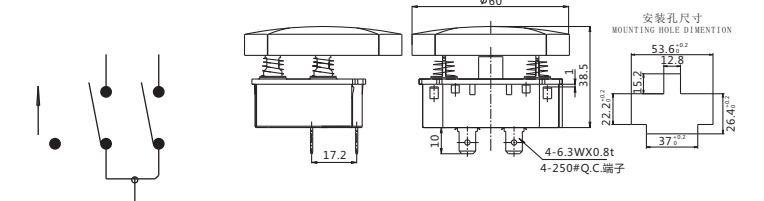
电气参数 Electrical Data

- 1.接触电阻 Contact Resistance: 100mΩ Max
- 2.绝缘电阻 Insulation Resistance: 500VDC, 100MΩ Min
- 3.耐压强度 Dielectric Strength:
端子间 Terminal and terminal: 1500VAC, 1min
端子与接地间 Terminal and ground: 3000VAC, 1min
- 4.工作温度 Operating Temperature: -25°C~85°C
- 5.电气寿命 Electrical Life: 10000 Cycles
- 6.额定值 Rating:
16A 250VAC T100(TUV CQC)
15A 125VAC T105(UL+C-UL)



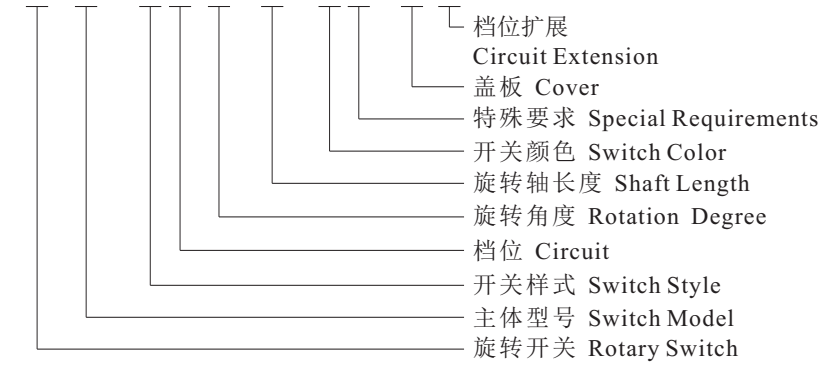
QK1-8

电路图
Circuit diagram



型号说明 Model Description

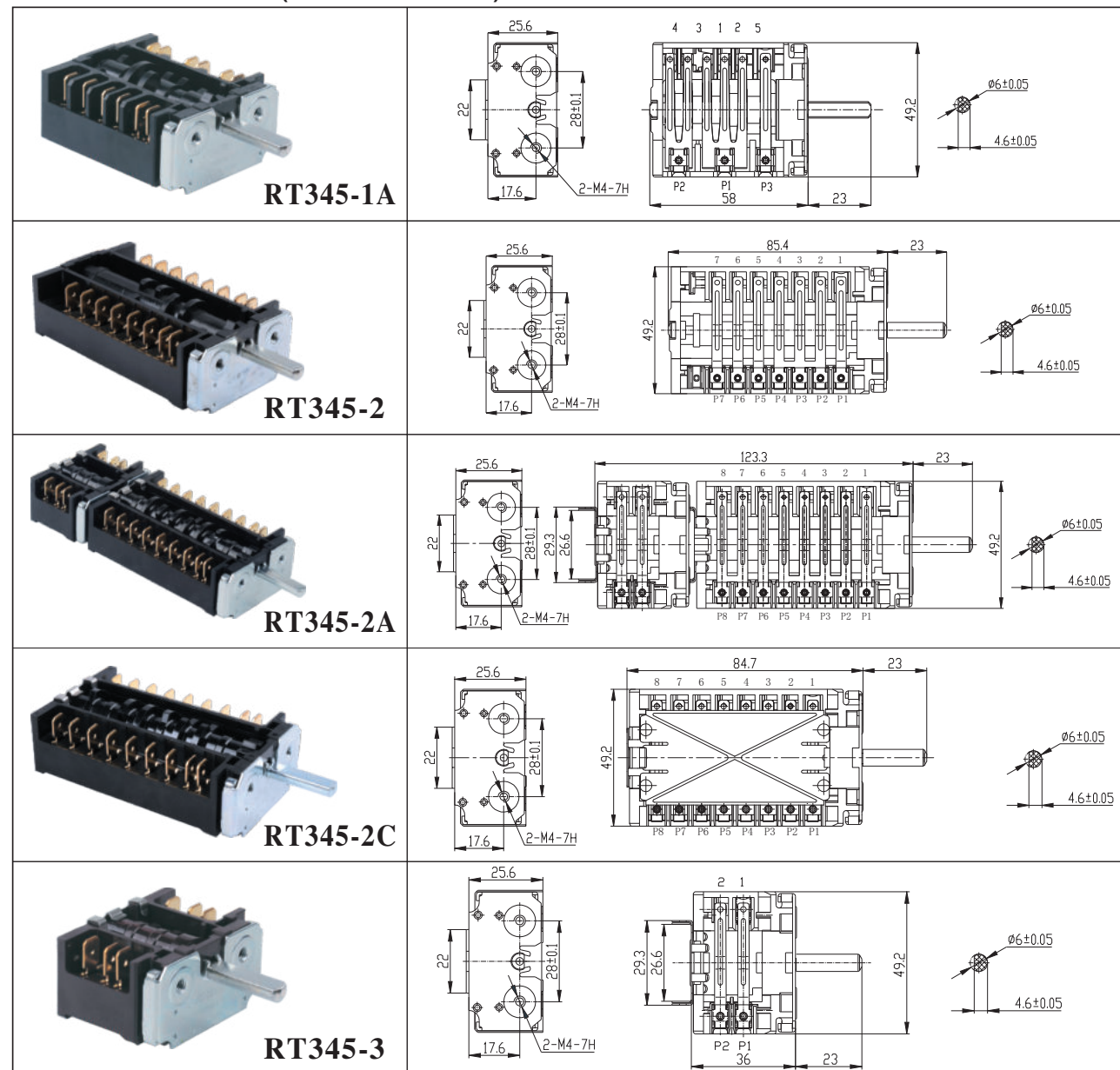
RT 345 - 1 A (90°/15) - R Y - C - 1



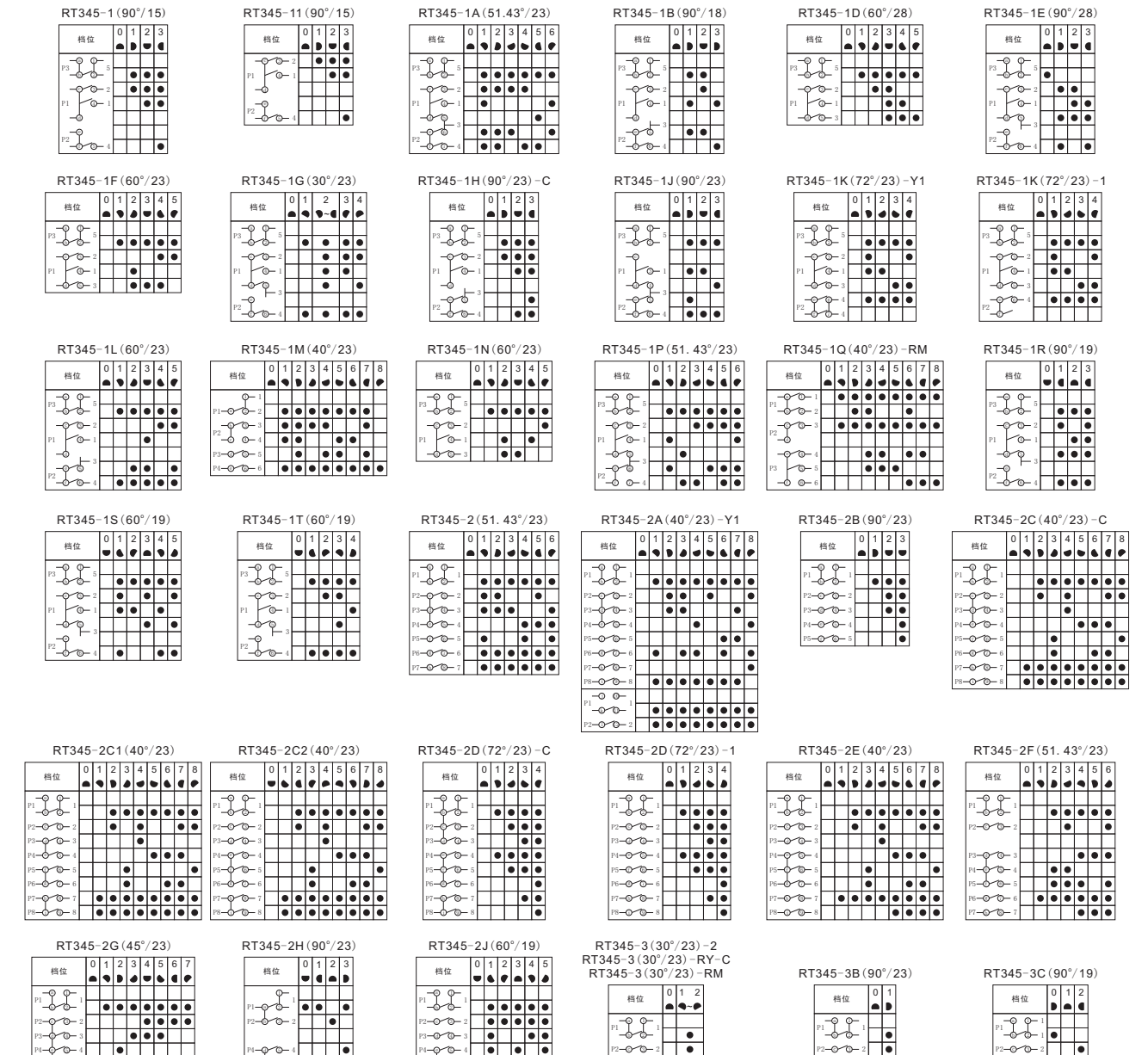
电气参数 Electrical Data

- 1.接触电阻 Contact Resistance: 100mΩ Max
- 2.绝缘电阻 Insulation Resistance: 500VDC, 100MΩ Min
- 3.耐压强度 Dielectric Strength:
 - 端子间 Terminal and terminal: 1500VAC 1min
 - 端子与接地间 Terminal and ground: 3000VAC 1min
- 4.工作温度 Operating Temperature: -25°C~85°C
- 5.电气寿命 Electrical Life: 10000 Cycles
- 6.额定值 Rating:
 - 16A 250VAC T150 1E4
 - 16A 250VAC T150 4E4(TUV)
 - 22A 400VAC T150(TUV)
 - 16RA 125/250VAC T150(UL+C-UL)

外形尺寸安装图(Dimensions)



注：开关旋转轴长度及是否需要追加盖板、安装板，可根据要求定制。
 Note: Shaft length and the need to install cover plate, Installation plate can be customized according to customer's requirements.

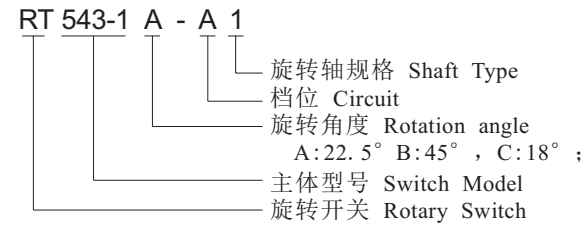


档位图说明 (Circuit description)

- 左图档位是：
- 当旋转轴位于 位置时为空挡，即全部处于断开状态；
 - 当旋转轴位于 位置时为P1脚和2脚接通，P3脚和5脚接通；
 - 当旋转轴位于 位置时为P1脚和1脚接通，P1脚和2脚接通，P3脚和5脚接通；
 - 当旋转轴位于 位置时为P1脚和1脚接通，P1脚和2脚接通，P2脚和4脚接通，P3脚和5脚接通；

- The sample sketch's circuit functions are as follows:
- ▲ When shaft turns into position , all contacts are off;
 - ▲ When shaft turns into position , terminal P1 and terminal 2 are connected, terminal P3 and terminal 5 are connected;
 - ▲ When shaft turns into position , terminal P1 and terminal 1 are connected, terminal P1 and terminal 2 are connected, terminal P3 and terminal 5 are connected;
 - ▲ When shaft turns into position , terminal P1 and terminal 1 are connected, terminal P1 and terminal 2 are connected, terminal P2 and terminal 4 are connected, terminal P3 and terminal 5 are connected;

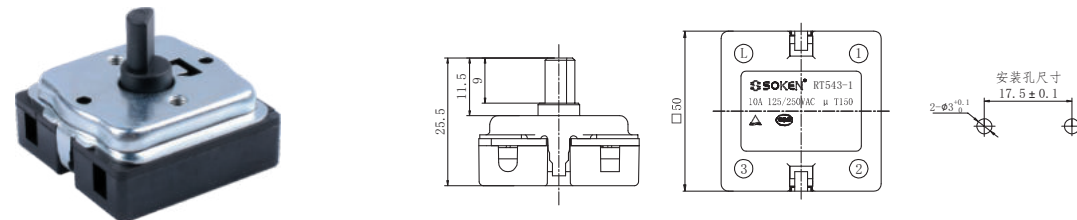
型号说明 Model Description



电气参数 Electrical Data

- 1.接触电阻 Contact Resistance: 100mΩ Max
- 2.绝缘电阻 Insulation Resistance: 500VDC, 100MΩ Min
- 3.耐压强度 Dielectric Strength:
端子间 Terminal and terminal: 500VAC, 1min
端子与接地间 Terminal and ground: 500VAC, 1min
- 4.工作温度 Operating Temperature: -25°C~85°C
- 5.电气寿命 Electrical Life: 10000 Cycles
- 6.额定值 Rating:
10A 125/250VAC μ T150(CQC TUV)
3(1)A 250VAC T85(CQC TUV)

RT543-1外形尺寸安装图 (Dimensions)



档位 (Circuit)

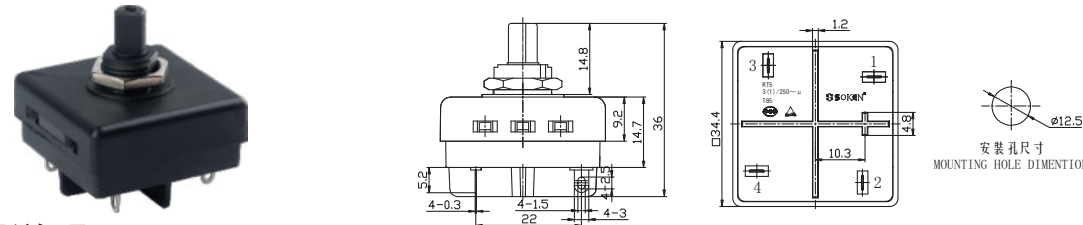
档位 旋转角度	A	B
22.5°		
45°		
18°		

档位图说明(Circuit description)

- 左图档位是:
- 当旋转轴位于 ● 位置时为断开;
 - 当旋转轴位于 ● 位置时为L脚和3脚接通;
 - 当旋转轴位于 ● 位置时为L脚和1、3脚接通;
 - 当旋转轴位于 ● 位置时为L脚和1、2、3脚接通。

- The sample sketch's circuit functions are as follows:
- ▲ When shaft turns into position ●, open circuit;
 - ▲ When shaft turns into position ●, terminal L and terminal 3 are connected;
 - ▲ When shaft turns into position ●, terminal L and terminal 1, 3 are connected;
 - ▲ When shaft turns into position ●, terminal L and terminal 1, 2, 3 are connected.

RT543-2外形尺寸安装图 (Dimensions)



档位图说明(Circuit description)

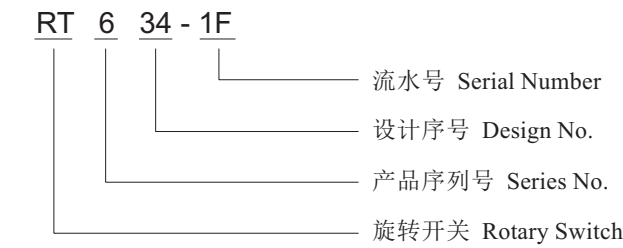
档位 shift or gear	●	●	●	●
1	●	●	●	●
2	●	●	●	●
3	●	●	●	●
4	●	●	●	●

左图档位是:

- 当旋转轴位于 ● 位置时为1脚和2、3脚接通;
- 当旋转轴位于 ● 位置时为1脚和3、4脚接通;
- 当旋转轴位于 ● 位置时为2脚和3、4脚接通;
- 当旋转轴位于 ● 位置时为1脚和2、4脚接通。

- The sample sketch's circuit functions are as follows:
- ▲ When shaft turns into position ●, terminal 1 and terminal 2/3 are connected;
 - ▲ When shaft turns into position ●, terminal 1 and terminal 3/4 are connected;
 - ▲ When shaft turns into position ●, terminal 2 and terminal 3/4 are connected;
 - ▲ When shaft turns into position ●, terminal 1 and terminal 2/4 are connected.

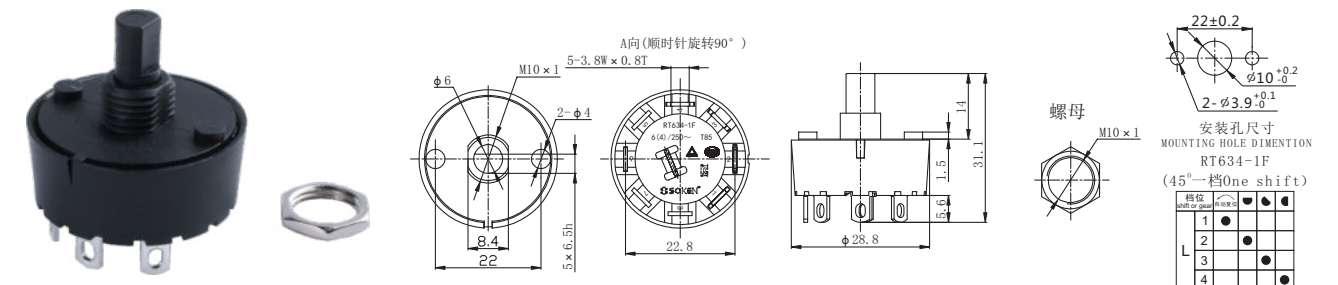
型号说明 Model Description



电气参数 Electrical Data

- 1.接触电阻 Contact Resistance: 100mΩ Max
- 2.绝缘电阻 Insulation Resistance: 500VDC, 100MΩ Min
- 3.耐压强度 Dielectric Strength:
端子间 Terminal and terminal: 1500VAC, 1min
端子与接地间 Terminal and ground: 3000VAC, 1min
- 4.工作温度 Operating Temperature: -25°C~85°C
- 5.电气寿命 Electrical Life: 10000 Cycles
- 6.额定值 Rating: 6(4)A 250VAC T85(CQC TUV K)

外形尺寸安装图 (Dimensions)



档位图说明(Circuit description)

- 上图档位是:
- 当旋转轴位于 ● 位置时为L和1脚接通, 此档自动复位档;
 - 当旋转轴位于 ● 位置时为L和2脚接通;
 - 当旋转轴位于 ● 位置时为L和3脚接通;
 - 当旋转轴位于 ● 位置时为L和4脚接通;

- The sample sketch's circuit functions are as follows:
- ▲ When shaft turns into position ●, terminal L and terminal 1 are connected, this circuit is automatically reposition.
 - ▲ When shaft turns into position ●, terminal L and terminal 2 are connected;
 - ▲ When shaft turns into position ●, terminal L and terminal 3 are connected;
 - ▲ When shaft turns into position ●, terminal L and terminal 4 are connected.

型号说明 Model Description



电气参数 Electrical Data

- 1.接触电阻 Contact Resistance: 100mΩ, Max
- 2.绝缘电阻 Insulation Resistance: 500VDC, 100MΩ Min
- 3.耐压强度 Dielectric Strength:
 - 端子间 Terminal and terminal: 1500VAC, 1min
 - 端子与接地间 Terminal and ground: 3000VAC, 1min
- 4.工作温度 Operating Temperature: -25°C~85°C
- 5.电气寿命 Electrical Life: 10000 Cycles
- 6.额定值 Rating:


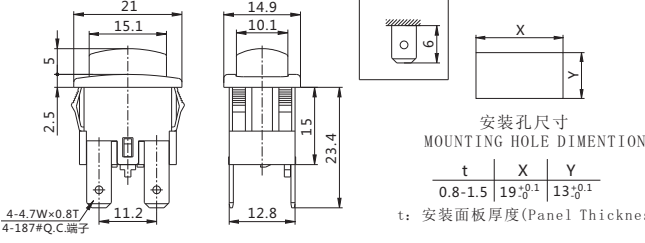

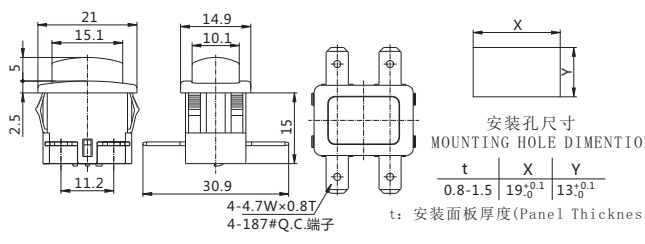

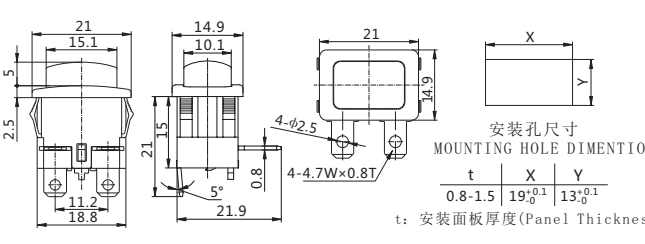

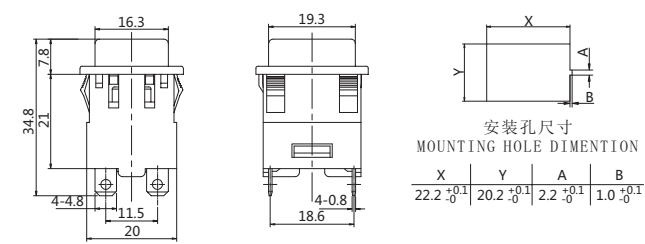

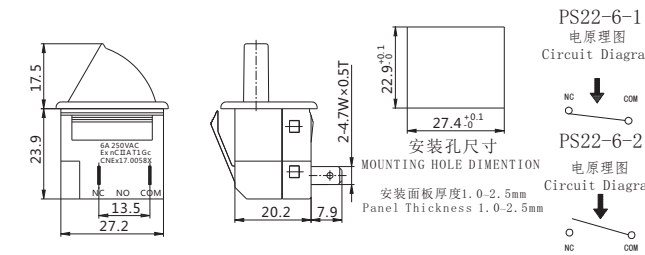

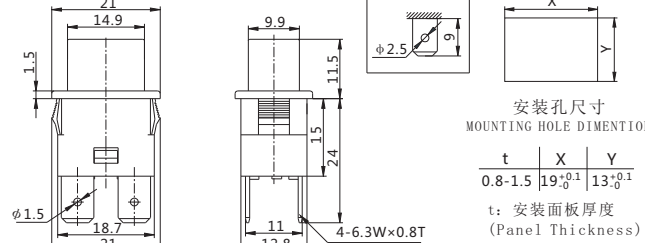
电气特性 Circuit function


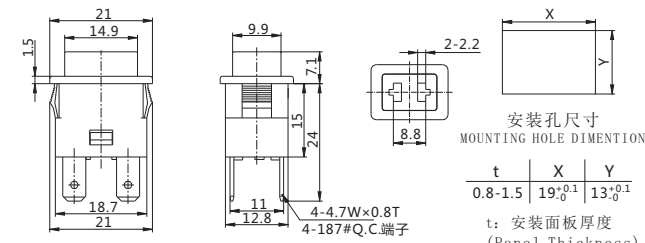

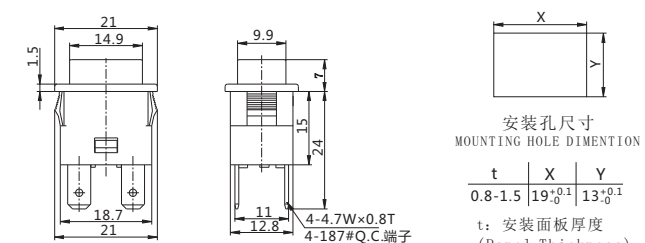

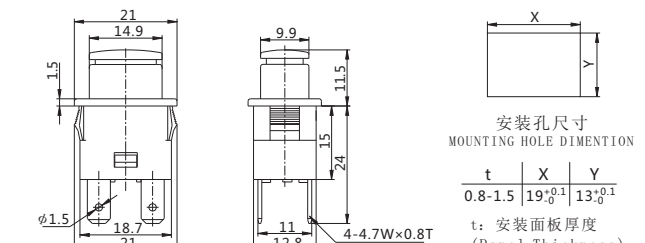

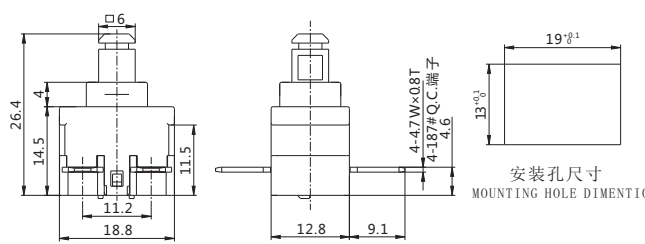

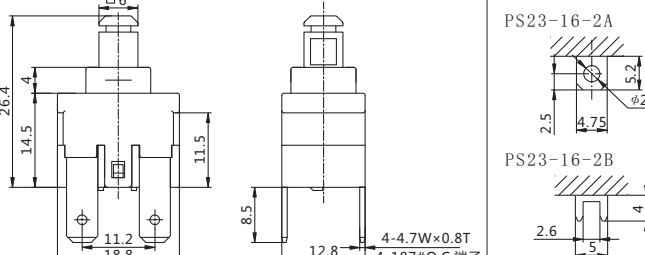

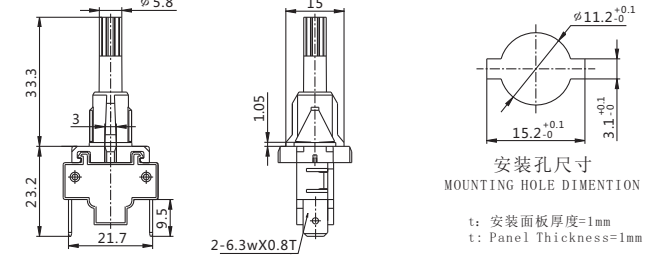
A	PUSH-ON	PUSH-OFF
R	PUSH-ON	
C	PUSH-OFF	


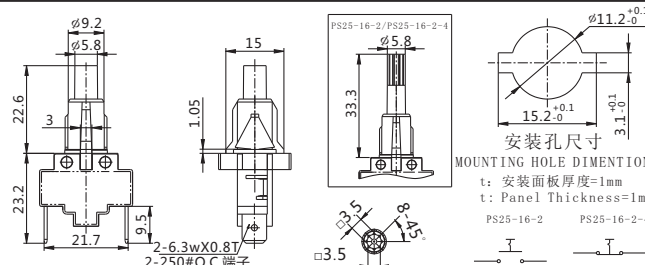

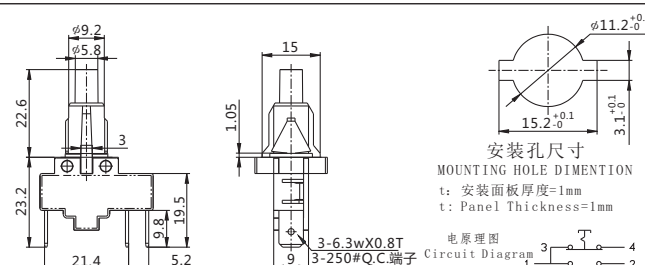

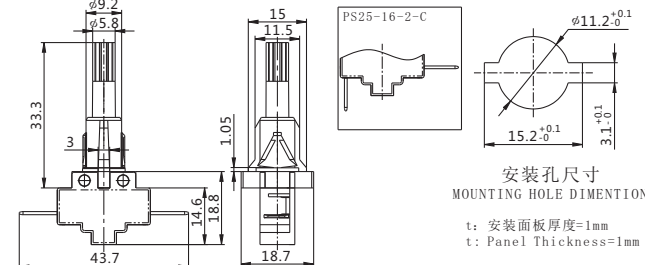

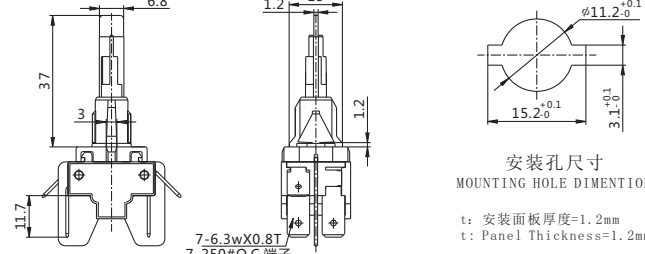

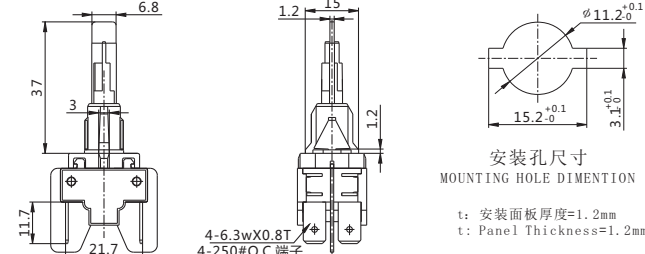

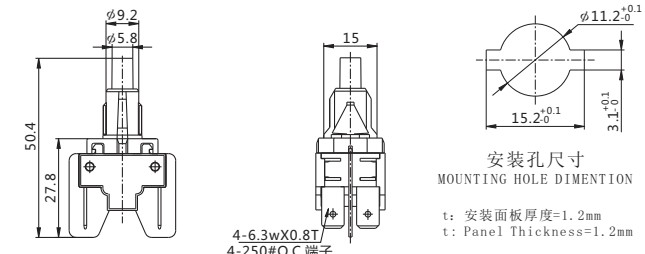
PS04-1R PS13-1R PS14-1R	1A 250VAC
PS05-16/-A2	16 (6) A 250VAC
PS17-16-1/-2/-2A/-3	16 (10) A 250VAC
PS10-16-A PS18-16 PS18-16-1B/-1C/-2/-2C/-2D	16A 250VAC
PS21-16 PS21-16-B/-C/-D PS21-16D PS47-16	16A 250VAC
PS22-6	6A 250VAC
PS23-16 PS23-16-A/-B/-C/-D-2C/-2D PS25-16-3/-4/-5	16 (4) A 250VAC
PS25-16-1 PS25-16-2 PS25-16-2B PS25-16-2-B PS25-16-2B-5	16 (8) A 250VAC
PS46	0.5A 250VAC


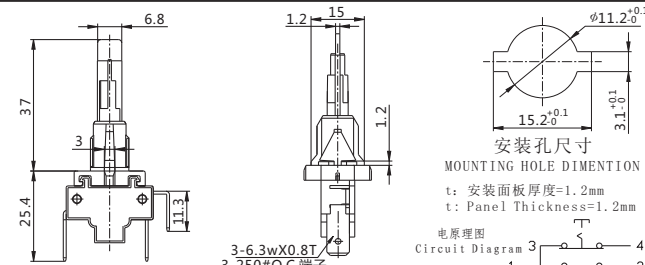

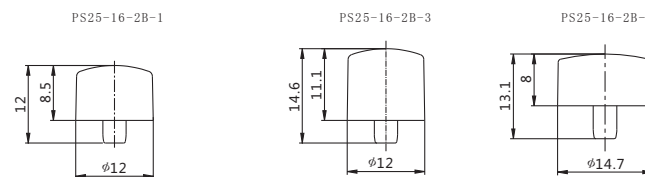

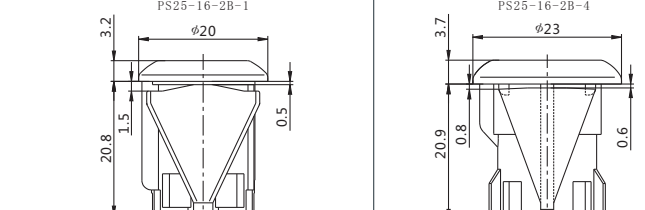

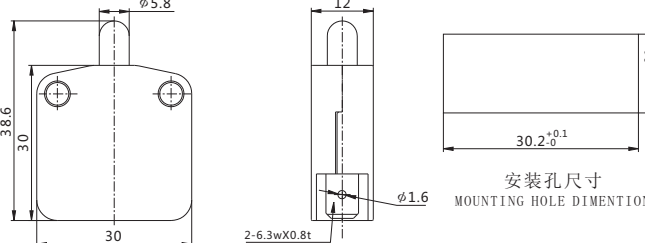
<p>回路类型:一回路 Circuit:one circuit</p> <p>操作类型:R Operating type</p> <p>PS04-1R</p>	<p>安装孔尺寸 MOUNTING HOLE DIMENTION</p>												
<p>回路类型:一回路 Circuit:one circuit</p> <p>操作类型:A Operating type</p> <p>PS05-16</p>	<p>安装孔尺寸 MOUNTING HOLE DIMENTION</p> <p>电路原理图 Circuit Diagram PS05-16-A1</p>												
<p>回路类型:一回路 Circuit:one circuit</p> <p>操作类型:A Operating type</p> <p>PS05-16-A2</p>	<p>安装孔尺寸 MOUNTING HOLE DIMENTION</p> <p>电路原理图 Circuit Diagram</p>												
<p>回路类型:一回路 二回路 Circuit:one circuit two circuit</p> <p>操作类型:A, R Operating type</p> <p>PS10-16-A</p>	<p>安装孔尺寸 MOUNTING HOLE DIMENTION</p> <table border="1"> <thead> <tr> <th>t</th> <th>X</th> <th>Y</th> <th>Z</th> </tr> </thead> <tbody> <tr> <td>0.8-1.5</td> <td>18.6^{+0.1}</td> <td>19.8^{+0.1}</td> <td>1.7^{+0.1}</td> </tr> <tr> <td>1.5-2.9</td> <td>18.8^{+0.1}</td> <td>20^{+0.1}</td> <td>1.9^{+0.1}</td> </tr> </tbody> </table> <p>t: 安装面板厚度 (Panel Thickness)</p>	t	X	Y	Z	0.8-1.5	18.6 ^{+0.1}	19.8 ^{+0.1}	1.7 ^{+0.1}	1.5-2.9	18.8 ^{+0.1}	20 ^{+0.1}	1.9 ^{+0.1}
t	X	Y	Z										
0.8-1.5	18.6 ^{+0.1}	19.8 ^{+0.1}	1.7 ^{+0.1}										
1.5-2.9	18.8 ^{+0.1}	20 ^{+0.1}	1.9 ^{+0.1}										

<p>回路类型:一回路 Circuit:one circuit</p> <p>操作类型:R, C Operating type</p> <p>PS13-1R</p>	<p>安装孔尺寸 MOUNTING HOLE DIMENTION</p> <table border="1"> <thead> <tr> <th>t</th> <th>X</th> <th>Y</th> </tr> </thead> <tbody> <tr> <td>0.75-1.25</td> <td>12.9^{+0.1}</td> <td>11.1^{+0.1}</td> </tr> <tr> <td>1.25-2.00</td> <td>13.0^{+0.1}</td> <td>11.1^{+0.1}</td> </tr> <tr> <td>2.00-3.00</td> <td>13.1^{+0.1}</td> <td>11.1^{+0.1}</td> </tr> </tbody> </table> <p>t: 安装面板厚度 (Panel Thickness)</p>	t	X	Y	0.75-1.25	12.9 ^{+0.1}	11.1 ^{+0.1}	1.25-2.00	13.0 ^{+0.1}	11.1 ^{+0.1}	2.00-3.00	13.1 ^{+0.1}	11.1 ^{+0.1}
t	X	Y											
0.75-1.25	12.9 ^{+0.1}	11.1 ^{+0.1}											
1.25-2.00	13.0 ^{+0.1}	11.1 ^{+0.1}											
2.00-3.00	13.1 ^{+0.1}	11.1 ^{+0.1}											
<p>回路类型:一回路 Circuit:one circuit</p> <p>操作类型:R Operating type</p> <p>PS14-1R</p>	<p>安装孔尺寸 MOUNTING HOLE DIMENTION</p> <p>t: 安装面板厚度 < 2mm t: Panel Thickness < 2mm</p>												
<p>回路类型:一回路 Circuit:one circuit</p> <p>操作类型:A Operating type</p> <p>PS17-16-1</p>	<p>安装孔尺寸 MOUNTING HOLE DIMENTION</p> <p>2-4.7W×0.8T 2-187#QC端子</p>												
<p>回路类型:一回路 Circuit:one circuit</p> <p>操作类型:A Operating type</p> <p>PS17-16-3</p>	<p>安装孔尺寸 MOUNTING HOLE DIMENTION</p>												
<p>回路类型:一回路 二回路 Circuit:one circuit two circuit</p> <p>操作类型:A, R Operating type</p> <p>PS18-16</p>	<p>安装孔尺寸 MOUNTING HOLE DIMENTION</p> <table border="1"> <thead> <tr> <th>t</th> <th>X</th> <th>Y</th> <th>Z</th> </tr> </thead> <tbody> <tr> <td>0.8-1.5</td> <td>23.5^{+0.1}</td> <td>25.2^{+0.1}</td> <td>1.7^{+0.1}</td> </tr> <tr> <td>1.5-3.0</td> <td>23.7^{+0.1}</td> <td>25.2^{+0.1}</td> <td>1.9^{+0.1}</td> </tr> </tbody> </table> <p>t: 安装面板厚度 (Panel Thickness)</p>	t	X	Y	Z	0.8-1.5	23.5 ^{+0.1}	25.2 ^{+0.1}	1.7 ^{+0.1}	1.5-3.0	23.7 ^{+0.1}	25.2 ^{+0.1}	1.9 ^{+0.1}
t	X	Y	Z										
0.8-1.5	23.5 ^{+0.1}	25.2 ^{+0.1}	1.7 ^{+0.1}										
1.5-3.0	23.7 ^{+0.1}	25.2 ^{+0.1}	1.9 ^{+0.1}										
<p>回路类型:一回路 二回路 Circuit:one circuit two circuit</p> <p>操作类型:A, R Operating type</p> <p>PS18-16-2</p>	<p>安装孔尺寸 MOUNTING HOLE DIMENTION</p> <table border="1"> <thead> <tr> <th>t</th> <th>X</th> <th>Y</th> <th>Z</th> </tr> </thead> <tbody> <tr> <td>0.8-1.5</td> <td>23.5^{+0.1}</td> <td>25.2^{+0.1}</td> <td>1.7^{+0.1}</td> </tr> <tr> <td>1.5-3.0</td> <td>23.7^{+0.1}</td> <td>25.2^{+0.1}</td> <td>1.9^{+0.1}</td> </tr> </tbody> </table> <p>t: 安装面板厚度 (Panel Thickness)</p>	t	X	Y	Z	0.8-1.5	23.5 ^{+0.1}	25.2 ^{+0.1}	1.7 ^{+0.1}	1.5-3.0	23.7 ^{+0.1}	25.2 ^{+0.1}	1.9 ^{+0.1}
t	X	Y	Z										
0.8-1.5	23.5 ^{+0.1}	25.2 ^{+0.1}	1.7 ^{+0.1}										
1.5-3.0	23.7 ^{+0.1}	25.2 ^{+0.1}	1.9 ^{+0.1}										

 <p>回路类型:一回路 二回路 Circuit:one circuit two circuit</p> <p>操作类型:A、R Operating type</p> <p>PS21-16</p>	 <p>安装孔尺寸 MOUNTING HOLE DIMENTION</p> <table border="1"> <tr> <th>t</th> <th>X</th> <th>Y</th> </tr> <tr> <td>0.8-1.5</td> <td>19^{±0.1}</td> <td>13^{±0.1}</td> </tr> </table> <p>t: 安装面板厚度 (Panel Thickness)</p>	t	X	Y	0.8-1.5	19 ^{±0.1}	13 ^{±0.1}		
t	X	Y							
0.8-1.5	19 ^{±0.1}	13 ^{±0.1}							
 <p>回路类型:一回路 二回路 Circuit:one circuit two circuit</p> <p>操作类型:A、R Operating type</p> <p>PS21-16-C</p>	 <p>安装孔尺寸 MOUNTING HOLE DIMENTION</p> <table border="1"> <tr> <th>t</th> <th>X</th> <th>Y</th> </tr> <tr> <td>0.8-1.5</td> <td>19^{±0.1}</td> <td>13^{±0.1}</td> </tr> </table> <p>t: 安装面板厚度 (Panel Thickness)</p>	t	X	Y	0.8-1.5	19 ^{±0.1}	13 ^{±0.1}		
t	X	Y							
0.8-1.5	19 ^{±0.1}	13 ^{±0.1}							
 <p>回路类型:一回路 二回路 Circuit:one circuit two circuit</p> <p>操作类型:A、R Operating type</p> <p>PS21-16-D</p>	 <p>安装孔尺寸 MOUNTING HOLE DIMENTION</p> <table border="1"> <tr> <th>t</th> <th>X</th> <th>Y</th> </tr> <tr> <td>0.8-1.5</td> <td>19^{±0.1}</td> <td>13^{±0.1}</td> </tr> </table> <p>t: 安装面板厚度 (Panel Thickness)</p>	t	X	Y	0.8-1.5	19 ^{±0.1}	13 ^{±0.1}		
t	X	Y							
0.8-1.5	19 ^{±0.1}	13 ^{±0.1}							
 <p>回路类型:一回路 二回路 Circuit:one circuit two circuit</p> <p>操作类型:A、R Operating type</p> <p>PS21-16D</p>	 <p>安装孔尺寸 MOUNTING HOLE DIMENTION</p> <table border="1"> <tr> <th>X</th> <th>Y</th> <th>A</th> <th>B</th> </tr> <tr> <td>22.2^{±0.1}</td> <td>20.2^{±0.1}</td> <td>2.2^{±0.1}</td> <td>1.0^{±0.1}</td> </tr> </table>	X	Y	A	B	22.2 ^{±0.1}	20.2 ^{±0.1}	2.2 ^{±0.1}	1.0 ^{±0.1}
X	Y	A	B						
22.2 ^{±0.1}	20.2 ^{±0.1}	2.2 ^{±0.1}	1.0 ^{±0.1}						
 <p>回路类型:一回路 Circuit:one circuit</p> <p>操作类型:R、C Operating type</p> <p>PS22-6</p>	 <p>PS22-6-1 电原理图 Circuit Diagram</p> <p>PS22-6-2 电原理图 Circuit Diagram</p> <p>安装孔尺寸 MOUNTING HOLE DIMENTION</p> <table border="1"> <tr> <th>t</th> <th>X</th> <th>Y</th> </tr> <tr> <td>1.0-2.5mm</td> <td>27.4^{±0.1}</td> <td>27.2</td> </tr> </table> <p>安装面板厚度1.0-2.5mm Panel Thickness 1.0-2.5mm</p>	t	X	Y	1.0-2.5mm	27.4 ^{±0.1}	27.2		
t	X	Y							
1.0-2.5mm	27.4 ^{±0.1}	27.2							
 <p>回路类型:一回路 二回路 Circuit:one circuit two circuit</p> <p>操作类型:A、R Operating type</p> <p>PS23-16</p>	 <p>PS23-16-B 安装孔尺寸 MOUNTING HOLE DIMENTION</p> <table border="1"> <tr> <th>t</th> <th>X</th> <th>Y</th> </tr> <tr> <td>0.8-1.5</td> <td>19^{±0.1}</td> <td>13^{±0.1}</td> </tr> </table> <p>t: 安装面板厚度 (Panel Thickness)</p>	t	X	Y	0.8-1.5	19 ^{±0.1}	13 ^{±0.1}		
t	X	Y							
0.8-1.5	19 ^{±0.1}	13 ^{±0.1}							

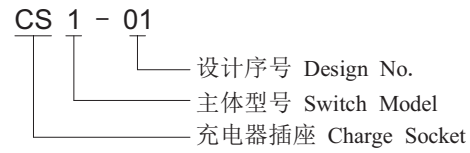
 <p>回路类型:一回路 二回路 Circuit:one circuit two circuit</p> <p>操作类型:A、R Operating type</p> <p>PS23-16-A</p>	 <p>安装孔尺寸 MOUNTING HOLE DIMENTION</p> <table border="1"> <tr> <th>t</th> <th>X</th> <th>Y</th> </tr> <tr> <td>0.8-1.5</td> <td>19^{±0.1}</td> <td>13^{±0.1}</td> </tr> </table> <p>t: 安装面板厚度 (Panel Thickness)</p>	t	X	Y	0.8-1.5	19 ^{±0.1}	13 ^{±0.1}
t	X	Y					
0.8-1.5	19 ^{±0.1}	13 ^{±0.1}					
 <p>回路类型:一回路 二回路 Circuit:one circuit two circuit</p> <p>操作类型:A、R Operating type</p> <p>PS23-16-C</p>	 <p>安装孔尺寸 MOUNTING HOLE DIMENTION</p> <table border="1"> <tr> <th>t</th> <th>X</th> <th>Y</th> </tr> <tr> <td>0.8-1.5</td> <td>19^{±0.1}</td> <td>13^{±0.1}</td> </tr> </table> <p>t: 安装面板厚度 (Panel Thickness)</p>	t	X	Y	0.8-1.5	19 ^{±0.1}	13 ^{±0.1}
t	X	Y					
0.8-1.5	19 ^{±0.1}	13 ^{±0.1}					
 <p>回路类型:一回路 二回路 Circuit:one circuit two circuit</p> <p>操作类型:A、R Operating type</p> <p>PS23-16-D</p>	 <p>安装孔尺寸 MOUNTING HOLE DIMENTION</p> <table border="1"> <tr> <th>t</th> <th>X</th> <th>Y</th> </tr> <tr> <td>0.8-1.5</td> <td>19^{±0.1}</td> <td>13^{±0.1}</td> </tr> </table> <p>t: 安装面板厚度 (Panel Thickness)</p>	t	X	Y	0.8-1.5	19 ^{±0.1}	13 ^{±0.1}
t	X	Y					
0.8-1.5	19 ^{±0.1}	13 ^{±0.1}					
 <p>回路类型:一回路 二回路 Circuit:one circuit two circuit</p> <p>操作类型:A、R Operating type</p> <p>PS23-16-2C</p>	 <p>安装孔尺寸 MOUNTING HOLE DIMENTION</p> <table border="1"> <tr> <th>X</th> <th>Y</th> </tr> <tr> <td>19^{±0.1}</td> <td>13^{±0.1}</td> </tr> </table>	X	Y	19 ^{±0.1}	13 ^{±0.1}		
X	Y						
19 ^{±0.1}	13 ^{±0.1}						
 <p>回路类型:一回路 二回路 Circuit:one circuit two circuit</p> <p>操作类型:A、R Operating type</p> <p>PS23-16-2D</p>	 <p>PS23-16-2A PS23-16-2B</p> <p>安装孔尺寸 MOUNTING HOLE DIMENTION</p> <table border="1"> <tr> <th>X</th> <th>Y</th> </tr> <tr> <td>19^{±0.1}</td> <td>13^{±0.1}</td> </tr> </table>	X	Y	19 ^{±0.1}	13 ^{±0.1}		
X	Y						
19 ^{±0.1}	13 ^{±0.1}						
 <p>回路类型:一回路 Circuit:one circuit</p> <p>操作类型:A、R、C Operating type</p> <p>PS25-16-1</p>	 <p>安装孔尺寸 MOUNTING HOLE DIMENTION</p> <table border="1"> <tr> <th>t</th> <th>X</th> <th>Y</th> </tr> <tr> <td>1mm</td> <td>15.2^{±0.1}</td> <td>3.1^{±0.1}</td> </tr> </table> <p>t: 安装面板厚度=1mm t: Panel Thickness=1mm</p>	t	X	Y	1mm	15.2 ^{±0.1}	3.1 ^{±0.1}
t	X	Y					
1mm	15.2 ^{±0.1}	3.1 ^{±0.1}					

 <p>回路类型:一回路 Circuit:one circuit 操作类型:A、R、C Operating type PS25-16-2B</p>	 <p>安装孔尺寸 MOUNTING HOLE DIMENTION t: 安装面板厚度=1mm t: Panel Thickness=1mm PS25-16-2 PS25-16-2-4 2-6.3wX0.8T 2-250#Q.C.端子</p>
 <p>回路类型:二回路 Circuit:two circuit 操作类型:A、R Operating type PS25-16-2B-5</p>	 <p>安装孔尺寸 MOUNTING HOLE DIMENTION t: 安装面板厚度=1mm t: Panel Thickness=1mm PS25-16-2-4 3-6.3wX0.8T 3-250#Q.C.端子</p>
 <p>回路类型:一回路 Circuit:one circuit 操作类型:A、R Operating type PS25-16-2-B</p>	 <p>安装孔尺寸 MOUNTING HOLE DIMENTION t: 安装面板厚度=1mm t: Panel Thickness=1mm PS25-16-2-C</p>
 <p>回路类型:四回路 Circuit:four circuit 操作类型:A、R Operating type PS25-16-3</p>	 <p>安装孔尺寸 MOUNTING HOLE DIMENTION t: 安装面板厚度=1.2mm t: Panel Thickness=1.2mm PS25-16-2-4 7-6.3wX0.8T 7-250#Q.C.端子</p>
 <p>回路类型:二回路 Circuit:two circuit 操作类型:A、R Operating type PS25-16-4</p>	 <p>安装孔尺寸 MOUNTING HOLE DIMENTION t: 安装面板厚度=1.2mm t: Panel Thickness=1.2mm PS25-16-2-4 4-6.3wX0.8T 4-250#Q.C.端子</p>
 <p>回路类型:二回路 Circuit:two circuit 操作类型:A、R Operating type PS25-16-4B</p>	 <p>安装孔尺寸 MOUNTING HOLE DIMENTION t: 安装面板厚度=1.2mm t: Panel Thickness=1.2mm PS25-16-2-4 4-6.3wX0.8T 4-250#Q.C.端子</p>

 <p>回路类型:二回路 Circuit:two circuit 操作类型:A、R Operating type PS25-16-5</p>	 <p>安装孔尺寸 MOUNTING HOLE DIMENTION t: 安装面板厚度=1.2mm t: Panel Thickness=1.2mm PS25-16-2-4 3-6.3wX0.8T 3-250#Q.C.端子</p>
 <p>PS25-16按钮</p>	 <p>PS25-16-2B-1 PS25-16-2B-3 PS25-16-2B-4 注:按钮与推杆配合,可按客户要求定制。</p>
 <p>PS25-16外壳</p>	 <p>PS25-16-2B-1 PS25-16-2B-4 注:此外壳配PS25-16-2B-1及PS25-16-2B-3按钮 注:此外壳配PS25-16-2B-4按钮</p>
 <p>回路类型:一回路 Circuit:one circuit 操作类型:R Operating type PS47-16</p>	 <p>安装孔尺寸 MOUNTING HOLE DIMENTION t: 安装面板厚度=1.2mm t: Panel Thickness=1.2mm PS25-16-2-4 2-6.3wX0.8T 2-250#Q.C.端子</p>

注:按钮开关发光体可依客户需求分别采用氖泡及发光二极管(LED),发光颜色任意。
Note: For Push Button Switch neon lamp and LED are available, can choose any color.

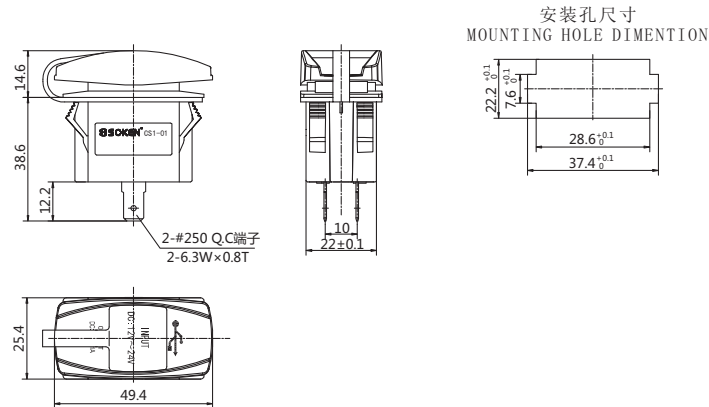
型号说明 Model Description



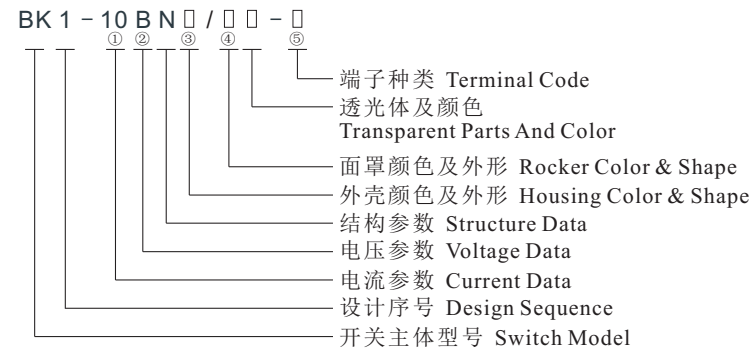
电气参数 Electrical Data

- 绝缘电阻 Insulation Resistance: 500VDC, 100MΩ Min
- 耐压强度 Dielectric Strength: 端子与接地间 Terminal and ground: 750VAC, 1min
- 工作温度 Operating Temperature: -25℃~85℃
- 机械寿命 Mechanical Life: 1500 Cycles Min
- 输出额定值 Output rating: 5VDC 3.1A

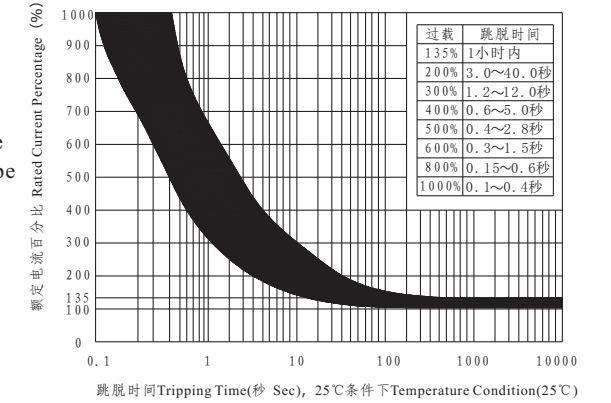
外形尺寸安装图(Dimensions)



型号说明 Model Description



5-20A 跳脱曲线 Tripping Curves



⑤ 端子种类 Terminal Code

代号 Code	图样 Drawing	代号 Code	图样 Drawing
A		F	
B		G	
C		H	
D		I	
E			

① 电流参数 Current Data

代号 Code	额定值 Rating
03	3A
04	4A
05	5A
06	6A
...	...
16	16A
20	20A

③ 外壳颜色及外形 Housing Color & Shape

代号 Code	颜色 Color	代号 Code	图样 Drawing
黑	黑色 Black	A	
白	白色 White	B	
灰	灰色 Gray	C	
		D	
		E	

④ 面罩颜色及外形 Rocker Color & Shape

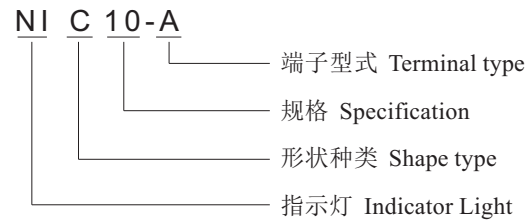
代号 Code	颜色 Color	代号 Code	图样 Drawing
黑	黑色 Black	A	
白	白色 White	B	
灰	灰色 Gray	C	

② 电压参数 Voltage Data

代号 Code	额定值 Rating
A	125VAC/50VDC
B	250VAC/50VDC

<p>电路特性:05 Circuit function</p> <p>面罩种类:Y Rocker code</p> <p>端子种类:Y Terminal code</p> <p>BK1-10BN</p>	<p>安装孔尺寸 MOUNTING HOLE DIMENTION</p> <table border="1"> <thead> <tr> <th>t</th> <th>X</th> <th>Y</th> </tr> </thead> <tbody> <tr> <td>0.75-1.25</td> <td>28.0^{+0.1}</td> <td>13.3^{+0.1}</td> </tr> <tr> <td>1.25-2.00</td> <td>28.1^{+0.1}</td> <td>13.3^{+0.1}</td> </tr> <tr> <td>2.00-3.00</td> <td>28.2^{+0.1}</td> <td>13.3^{+0.1}</td> </tr> </tbody> </table> <p>t为材料厚度 Panel Thickness</p>	t	X	Y	0.75-1.25	28.0 ^{+0.1}	13.3 ^{+0.1}	1.25-2.00	28.1 ^{+0.1}	13.3 ^{+0.1}	2.00-3.00	28.2 ^{+0.1}	13.3 ^{+0.1}
t	X	Y											
0.75-1.25	28.0 ^{+0.1}	13.3 ^{+0.1}											
1.25-2.00	28.1 ^{+0.1}	13.3 ^{+0.1}											
2.00-3.00	28.2 ^{+0.1}	13.3 ^{+0.1}											
<p>电路特性:05 Circuit function</p> <p>面罩种类:N Rocker code</p> <p>端子种类:E Terminal code</p> <p>BK1-10BL</p>	<p>安装孔尺寸 MOUNTING HOLE DIMENTION</p> <table border="1"> <thead> <tr> <th>t</th> <th>X</th> <th>Y</th> </tr> </thead> <tbody> <tr> <td>0.75-1.25</td> <td>30.1^{+0.1}</td> <td>13^{+0.1}</td> </tr> <tr> <td>1.25-2.00</td> <td>30.2^{+0.1}</td> <td>13^{+0.1}</td> </tr> <tr> <td>2.00-3.00</td> <td>30.3^{+0.1}</td> <td>13^{+0.1}</td> </tr> </tbody> </table> <p>t为材料厚度 Panel Thickness</p>	t	X	Y	0.75-1.25	30.1 ^{+0.1}	13 ^{+0.1}	1.25-2.00	30.2 ^{+0.1}	13 ^{+0.1}	2.00-3.00	30.3 ^{+0.1}	13 ^{+0.1}
t	X	Y											
0.75-1.25	30.1 ^{+0.1}	13 ^{+0.1}											
1.25-2.00	30.2 ^{+0.1}	13 ^{+0.1}											
2.00-3.00	30.3 ^{+0.1}	13 ^{+0.1}											

型号说明 Model Description



形状种类 Shape type	
C	圆形 Round
R	方形 Square

电气参数 Electrical Data

- 1.绝缘电阻 Insulation Resistance: 500VDC, 100MΩ Min
- 2.耐压强度 Dielectric Strength: 3000VAC 5s
- 3.工作温度 Operating Temperature: -25°C~85°C
- 4.电气寿命 Electrical Life: 10000h
- 5.额定值 Rating: 6.3,12,24,36VDC
125,250VAC

端子型式 Terminal type	
A	插片 Plug terminal
B	带线 With wire

<p>形状种类: R Shape type</p> <p>端子种类: A Terminal type</p> <p>NIR01</p>	<p>安装孔尺寸 MOUNTING HOLE DIMENTION</p> <table border="1"> <thead> <tr> <th>t</th> <th>X</th> <th>Y</th> </tr> </thead> <tbody> <tr> <td>0.75-1.25</td> <td>27.6^{+0.1}</td> <td>21.3^{+0.1}</td> </tr> <tr> <td>1.25-2.00</td> <td>27.7^{+0.1}</td> <td>21.3^{+0.1}</td> </tr> <tr> <td>2.00-3.00</td> <td>27.8^{+0.1}</td> <td>21.3^{+0.1}</td> </tr> </tbody> </table> <p>t为材料厚度 Panel Thickness</p>	t	X	Y	0.75-1.25	27.6 ^{+0.1}	21.3 ^{+0.1}	1.25-2.00	27.7 ^{+0.1}	21.3 ^{+0.1}	2.00-3.00	27.8 ^{+0.1}	21.3 ^{+0.1}
t	X	Y											
0.75-1.25	27.6 ^{+0.1}	21.3 ^{+0.1}											
1.25-2.00	27.7 ^{+0.1}	21.3 ^{+0.1}											
2.00-3.00	27.8 ^{+0.1}	21.3 ^{+0.1}											
<p>形状种类: R Shape type</p> <p>端子种类: A Terminal type</p> <p>NIR11</p>	<p>安装孔尺寸 MOUNTING HOLE DIMENTION</p> <table border="1"> <thead> <tr> <th>t</th> <th>X</th> <th>Y</th> </tr> </thead> <tbody> <tr> <td>0.75-1.25</td> <td>28.0^{+0.1}</td> <td>10.5^{+0.1}</td> </tr> <tr> <td>1.25-2.00</td> <td>28.1^{+0.1}</td> <td>10.5^{+0.1}</td> </tr> <tr> <td>2.00-3.00</td> <td>28.2^{+0.1}</td> <td>10.5^{+0.1}</td> </tr> </tbody> </table> <p>t为材料厚度 Panel Thickness</p>	t	X	Y	0.75-1.25	28.0 ^{+0.1}	10.5 ^{+0.1}	1.25-2.00	28.1 ^{+0.1}	10.5 ^{+0.1}	2.00-3.00	28.2 ^{+0.1}	10.5 ^{+0.1}
t	X	Y											
0.75-1.25	28.0 ^{+0.1}	10.5 ^{+0.1}											
1.25-2.00	28.1 ^{+0.1}	10.5 ^{+0.1}											
2.00-3.00	28.2 ^{+0.1}	10.5 ^{+0.1}											
<p>形状种类: C Shape type</p> <p>端子种类: A, B Terminal type</p> <p>NIR13</p>	<p>安装孔尺寸 MOUNTING HOLE DIMENTION</p>												
<p>形状种类: R Shape type</p> <p>端子种类: A Terminal type</p> <p>NIR15</p>	<p>安装孔尺寸 MOUNTING HOLE DIMENTION</p> <table border="1"> <thead> <tr> <th>t</th> <th>X</th> <th>Y</th> </tr> </thead> <tbody> <tr> <td>0.75-1.25</td> <td>29.4^{+0.1}</td> <td>10.5^{+0.1}</td> </tr> <tr> <td>1.25-2.00</td> <td>29.5^{+0.1}</td> <td>10.5^{+0.1}</td> </tr> <tr> <td>2.00-3.00</td> <td>29.6^{+0.1}</td> <td>10.5^{+0.1}</td> </tr> </tbody> </table> <p>t为材料厚度 Panel Thickness</p>	t	X	Y	0.75-1.25	29.4 ^{+0.1}	10.5 ^{+0.1}	1.25-2.00	29.5 ^{+0.1}	10.5 ^{+0.1}	2.00-3.00	29.6 ^{+0.1}	10.5 ^{+0.1}
t	X	Y											
0.75-1.25	29.4 ^{+0.1}	10.5 ^{+0.1}											
1.25-2.00	29.5 ^{+0.1}	10.5 ^{+0.1}											
2.00-3.00	29.6 ^{+0.1}	10.5 ^{+0.1}											

<p>形状种类: R Shape type</p> <p>端子种类: A Terminal type</p> <p>NIR16</p>	<p>安装孔尺寸 MOUNTING HOLE DIMENTION</p> <table border="1"> <thead> <tr> <th>t</th> <th>X</th> <th>Y</th> </tr> </thead> <tbody> <tr> <td>0.75-1.25</td> <td>19.6^{+0.1}</td> <td>13.1^{+0.1}</td> </tr> <tr> <td>1.25-2.00</td> <td>19.7^{+0.1}</td> <td>13.1^{+0.1}</td> </tr> <tr> <td>2.00-3.00</td> <td>19.8^{+0.1}</td> <td>13.1^{+0.1}</td> </tr> </tbody> </table> <p>t为材料厚度 Panel Thickness</p>	t	X	Y	0.75-1.25	19.6 ^{+0.1}	13.1 ^{+0.1}	1.25-2.00	19.7 ^{+0.1}	13.1 ^{+0.1}	2.00-3.00	19.8 ^{+0.1}	13.1 ^{+0.1}
t	X	Y											
0.75-1.25	19.6 ^{+0.1}	13.1 ^{+0.1}											
1.25-2.00	19.7 ^{+0.1}	13.1 ^{+0.1}											
2.00-3.00	19.8 ^{+0.1}	13.1 ^{+0.1}											
<p>形状种类: C Shape type</p> <p>端子种类: B Terminal type</p> <p>NIC09</p>	<p>安装孔尺寸 MOUNTING HOLE DIMENTION</p>												
<p>形状种类: C Shape type</p> <p>端子种类: A, B Terminal type</p> <p>NIC10</p>	<p>安装孔尺寸 MOUNTING HOLE DIMENTION</p>												
<p>形状种类: C Shape type</p> <p>端子种类: A, B Terminal type</p> <p>NIC12</p>	<p>安装孔尺寸 MOUNTING HOLE DIMENTION</p>												

- 注: 1、指示灯发光体可依客户需求分别采用氖泡及发光二极管(LED), 发光颜色任意。
2、导线的种类、规格及长度可定制。
- Note: 1、Indicator light neon lamp and LED are available, can choose any color.
2、Wire type, specification and length can be customized.

注意事项

■ 安全上的要点

- 请在额定值内使用，包括额定电流，额定电压和环境使用温度等。
如超出额定值使用的话，不仅会缩短开关的耐久性，还可能导致异常发热和烧坏等危险。

■ 关于操作

- 请注意不要去强制性操作。
- 请不要强加操作方向以外的负载。

■ 关于焊锡

- 用自动焊锡槽（焊锡炉）焊锡时
焊锡温度：260℃以下（预热100℃·2分钟以内基准）焊锡时间：5s以下
- 用手焊（焊锡烙铁）焊锡时
焊锡温度：烙铁头温度350℃以下焊锡时间：3s以下

■ 关于松香（助焊剂）

- 当使用助焊剂的情况下，请先确认是否会对开关造成影响，包括：助焊剂的种类、涂抹方式及部位等。

■ 关于保管·使用环境

- 为了防止本制品在保管中发生端子变色等劣化，请避免在以下条件中长期使用。
 - ①.高温、高湿环境下
 - ②.腐蚀性气体的环境中
 - ③.被日光直射的场所
- 安装孔的开设，请参照不同开关的开孔尺寸。当按照开关实样开设时，应留有一定余量。
- 非防水开关，请避开接触水的场所使用。
- 请不要让开关结冰、结露。

Attentions

■ Key points on security

- Please use it within rated value, including rated current, rated voltage and operating temperature and so on.
- If it is used over the rated value, it will not only shorten durability of the switch, but may also cause risks, such as overheating and burnout.

■ points on operating

- Please be careful not to do mandatory operations.
- Please do not operate in negative direction.

■ Key points on soldering tin

- When soldering in automatic tin groove (tin furnace)
Soldering temperature: below 260℃ (warm-up: 100℃·basing on within 2 minutes)
Soldering time: within 5 seconds
- When soldering tin by hand,
Soldering temperature: temperature of soldering bit is below 350℃
Soldering time: within 3 seconds

■ Key points on rosin (flux)

- When using flux, please confirm in advance whether there's any influence on switches, including types of flux, methods or positions on daub and so on.

■ Key points on environment of safekeeping and using

- Please don't keep and use under the following conditions for a long time in order to protect from any degradation during storage, such as discoloring on terminals.
 - ①. Environment of high temperature and high humidity
 - ②. Environment of caustic gas
 - ③. Place with direct sunlight
- Do refer to various opening sizes when placing mounting holes. Before placing holes according to patterns, there should be some margin left.
- If the type is without waterproof, please avoid water once using it.
- Do not make switch frozen and dew.