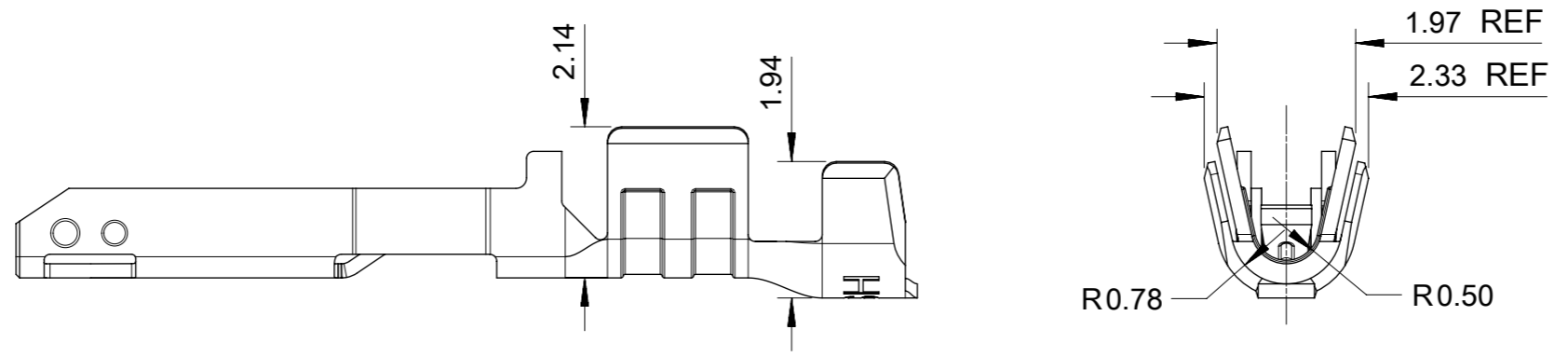


- NOTES:
1. MATERIAL: HIGH CONDUCTIVITY COPPER ALLOY.
 2. PLATING FINISH SEE CHART IN SHEET 3.
 3. PRODUCT SPECIFICATION: PS-105300-100.
 4. PACKAGE SPECIFICATION: PK-105300-100.
 5. THE TERMINAL IS LUBRICATED.
 6. THE COMPONENT COMPLIANT TO RoHS DIRECTIVE 2011/65/EU AND ELV DIRECTIVE 2000/53/EC.
 7. PRODUCT APPLY TO RECEPTACLE HOUSING OF 105307-**** AND 105308-****.
 8. PARTS CONFORM TO CLASS 'B' REQUIREMENTS OF COSMETIC SPECIFICATION PS-45499-002.
 9. APPLICATION SPECIFICATION: AS-105300-100.
 10. RECOMMENDED INSULATOR:
20AWG WIRE, OD 1.60MM MAX.
24AWG WIRE, OD 1.30MM MAX.

THIS DRAWING CONTAINS INFORMATION THAT IS PROPRIETARY TO MOLEX ELECTRONIC TECHNOLOGIES, LLC AND SHOULD NOT BE USED WITHOUT WRITTEN PERMISSION													
QUALITY SYMBOLS	EC NO: 670177 DRWN: GLLI CHK'D: YXZHENG APPR: YXZHENG	GENERAL TOLERANCES (UNLESS SPECIFIED)		DIMENSION UNITS	SCALE								
		ANGULAR TOL ± 3.0 °		mm	10:1								
FA = 0	A2 REV	4 PLACES ±	±	DRWN BY	DATE	CRIMP TERMINAL FOR NANO-FIT, TIN PLATING POWER CONNECTOR							
FE = 0		3 PLACES ±		GLLI	2015/03/18								
FB = 0		2 PLACES ±	±	CHK'D BY	DATE								
FC = 0		1 PLACE ±	± 0.15	APPR BY	DATE	PRODUCT CUSTOMER DRAWING							
FV = 0		0 PLACES ±	± 0.20	AYIN	2015/04/08	SERIES	MATERIAL NUMBER	CUSTOMER					
FZ = 0		DRAFT WHERE APPLICABLE MUST REMAIN WITHIN DIMENSIONS		A3		THIRD ANGLE PROJECTION		200457		SEE SHEET 3		GENERAL MARKET	
FS = 0							DOCUMENT NUMBER		DOC TYPE	DOC PART	SHEET NUMBER		
						2004570710		PSD		000		1 OF 3	

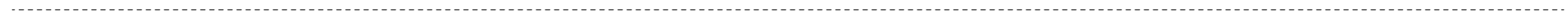
9 8 7 6 5 4 3 2 1

E

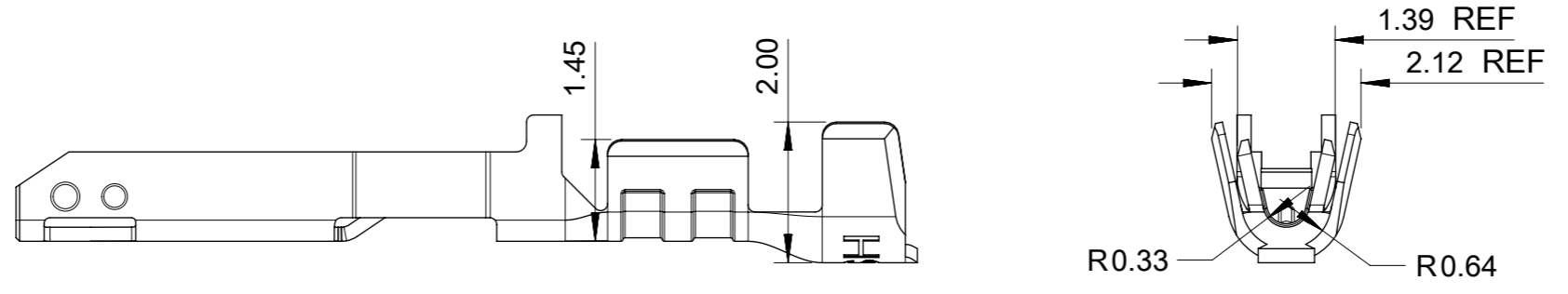


ONLY FOR WIRE OF AWG 20/22

D



C



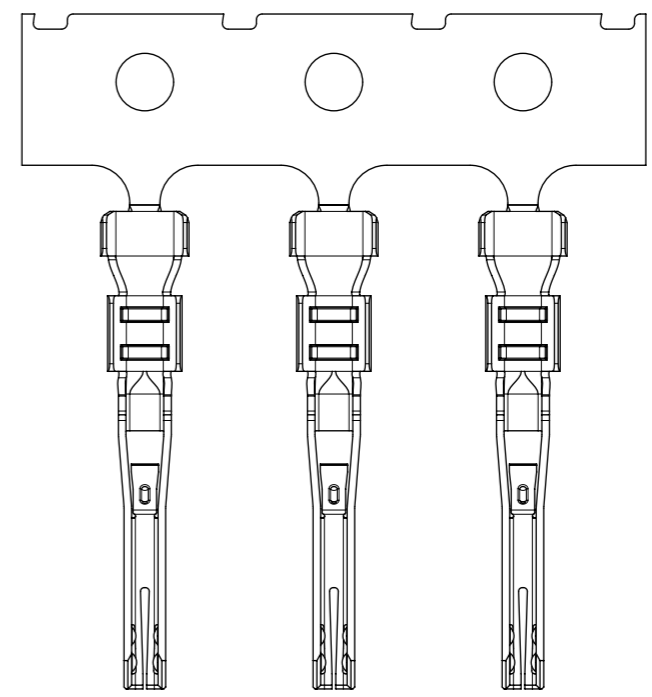
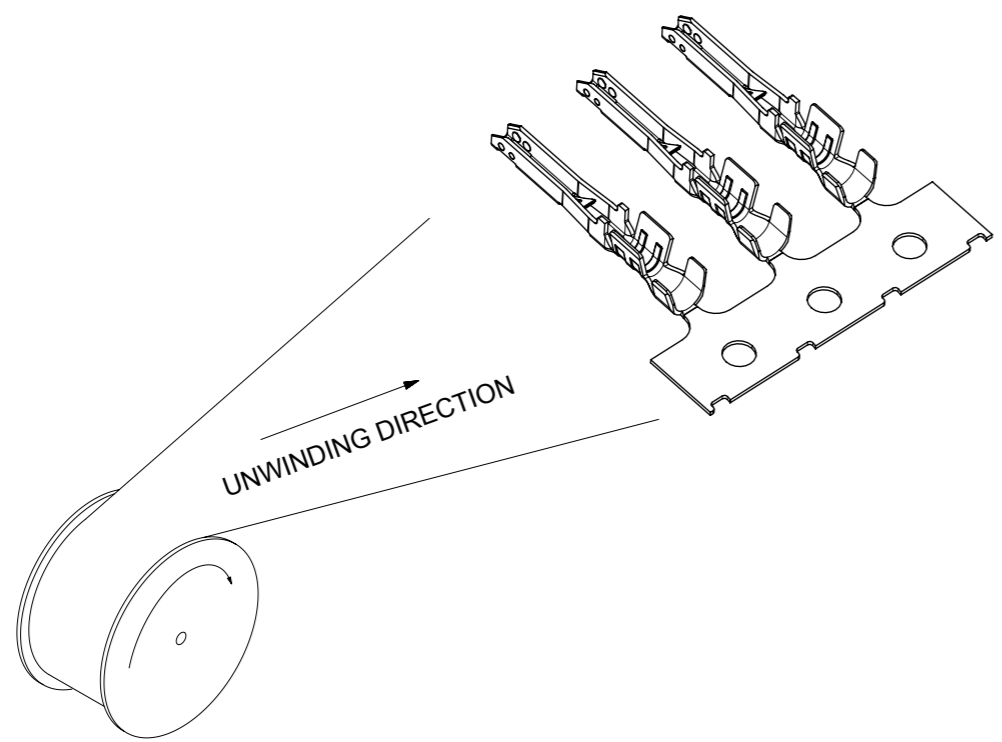
ONLY FOR WIRE OF AWG 24/26

B

A

QUALITY SYMBOLS □ = 0 ▽ = 0 ▽ = 0 ▽ = 0 ▽ = 0 ▽ = 0 ▽ = 0 ▽ = 0 ▽ = 0 ▽ = 0 ▽ = 0	THIS DRAWING CONTAINS INFORMATION THAT IS PROPRIETARY TO MOLEX ELECTRONIC TECHNOLOGIES, LLC AND SHOULD NOT BE USED WITHOUT WRITTEN PERMISSION											
	EC NO: 670177 DRWN: GLLI CHK'D: YXZHENG APPR: YXZHENG	2021/07/08 2021/07/19 2021/07/19	GENERAL TOLERANCES (UNLESS SPECIFIED)		DIMENSION UNITS	SCALE						
			ANGULAR TOL ± 3.0 °		mm	10:1						
			4 PLACES ±	DRWN BY		DATE		CRIMP TERMINAL FOR NANO-FIT, TIN PLATING POWER CONNECTOR				
			3 PLACES ±	GLLI		2015/03/18						
			2 PLACES ± 0.15	CHK'D BY		DATE						
	1 PLACE ± 0.20	APPR BY		DATE		PRODUCT CUSTOMER DRAWING						
	0 PLACES ±	AYIN		2015/04/08		SERIES	MATERIAL NUMBER	CUSTOMER				
	DRAFT WHERE APPLICABLE MUST REMAIN WITHIN DIMENSIONS		DRAWING SIZE	THIRD ANGLE PROJECTION			200457	SEE SHEET 3	GENERAL MARKET			
			A3				DOCUMENT NUMBER		DOC TYPE	DOC PART	SHEET NUMBER	
						2004570710	PSD	000	2 OF 3			

9 8 7 6 5 4 3 2 1



PART NUMBER	WIRE SIZE(AWG)
105300-1100	24/26
105300-2100	20/22

PLATING SPECIFICATION
 REFLOW MATTE TIN OVERALL(1.5 MICRONS MINIMUM BEFORE REFLOW),
 UNDER NICKEL PLATING 1.25 MICRONS MINIMUM OVERALL.

QUALITY SYMBOLS	THIS DRAWING CONTAINS INFORMATION THAT IS PROPRIETARY TO MOLEX ELECTRONIC TECHNOLOGIES, LLC AND SHOULD NOT BE USED WITHOUT WRITTEN PERMISSION													
▽A = 0	EC NO: 670177 DRWN: GLLI CHK'D: YXZHENG APPR: YXZHENG	2021/07/08		2021/07/19		2021/07/19		GENERAL TOLERANCES (UNLESS SPECIFIED)		DIMENSION UNITS	SCALE	molex®		
▽E = 0		ANGULAR TOL ± 3.0 °		mm		5:1				DRWN BY DATE				
▽F = 0		4 PLACES ±		GLLI		2015/03/18				CHK'D BY DATE			CRIMP TERMINAL FOR NANO-FIT, TIN PLATING POWER CONNECTOR	
▽ = 0		3 PLACES ±		APPR BY DATE		AYIN		2015/04/08		PRODUCT CUSTOMER DRAWING				
▽C = 0		2 PLACES ± 0.15		DRAWING SIZE		THIRD ANGLE PROJECTION		SERIES		MATERIAL NUMBER			CUSTOMER	
▽ = 0		1 PLACE ± 0.20		A3				200457		SEE CHART			GENERAL MARKET	
▽ = 0	0 PLACES ±		DRAFT WHERE APPLICABLE MUST REMAIN WITHIN DIMENSIONS				DOCUMENT NUMBER		DOC TYPE		DOC PART SHEET NUMBER			
▽ = 0	A2						2004570710		PSD		000 3 OF 3			