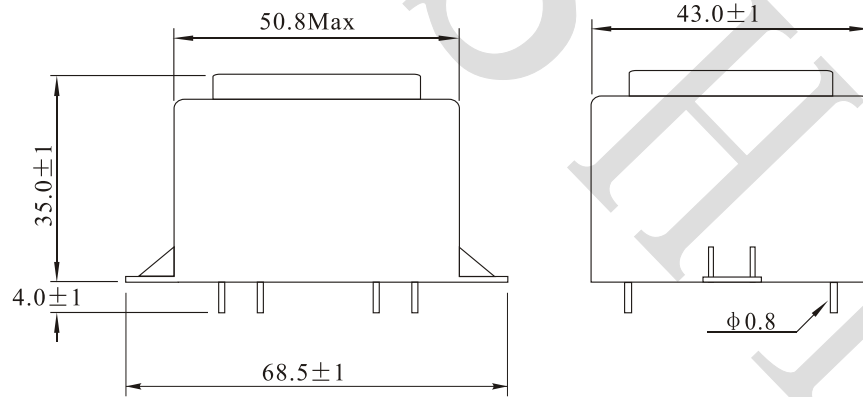
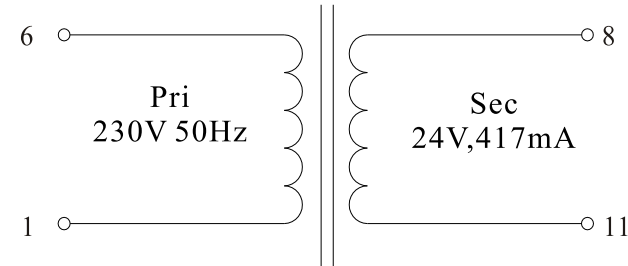


Rev.	Description	Date
A0	New release	2023.05.17

### 1. PHYSICAL CHARACTERISTICS (mm)



### 2. ELECTRONICAL SCHEMATIC



### 3. ELECTRONICAL SPECIFICATIONS

Input voltage: 230V

Output voltage:  $24V \pm 5\%$

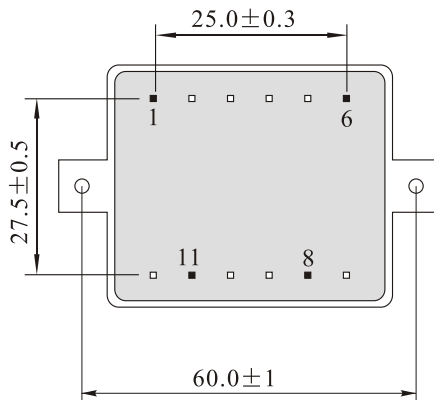
Output current: 417mA@230V,50Hz

No-load voltage: 28.7V Typ.

Hi-Pot: 4000V,50Hz,10S

Storage temperature:  $-20^{\circ}\text{C}$  to  $+80^{\circ}\text{C}$

Operating temperature:  $-10^{\circ}\text{C}$  to  $+70^{\circ}\text{C}$



#### MARKING

SHINHOM
AC230V 50/60Hz
PE481670R
ta: 70°C 10.0VA
24V,417mA

#### NOTES:

Temp 20°C 48%RH  
RoHS Compliant

NAME:	Potting transformer		
CUSTOMER P/N:	BV EI 481 1186	DATE:	2023-05-17
SHINHOM P/N:	PE481670R	REV: A0	PAGE
DRAWN BY	CHECKED BY	APPROVE BY	



**SHINHOM**

SHAANXISHINHOM ENTERPRISE CO LTD

The Document property belong to SHINHOM & is not allowed to be duplicated without authorization