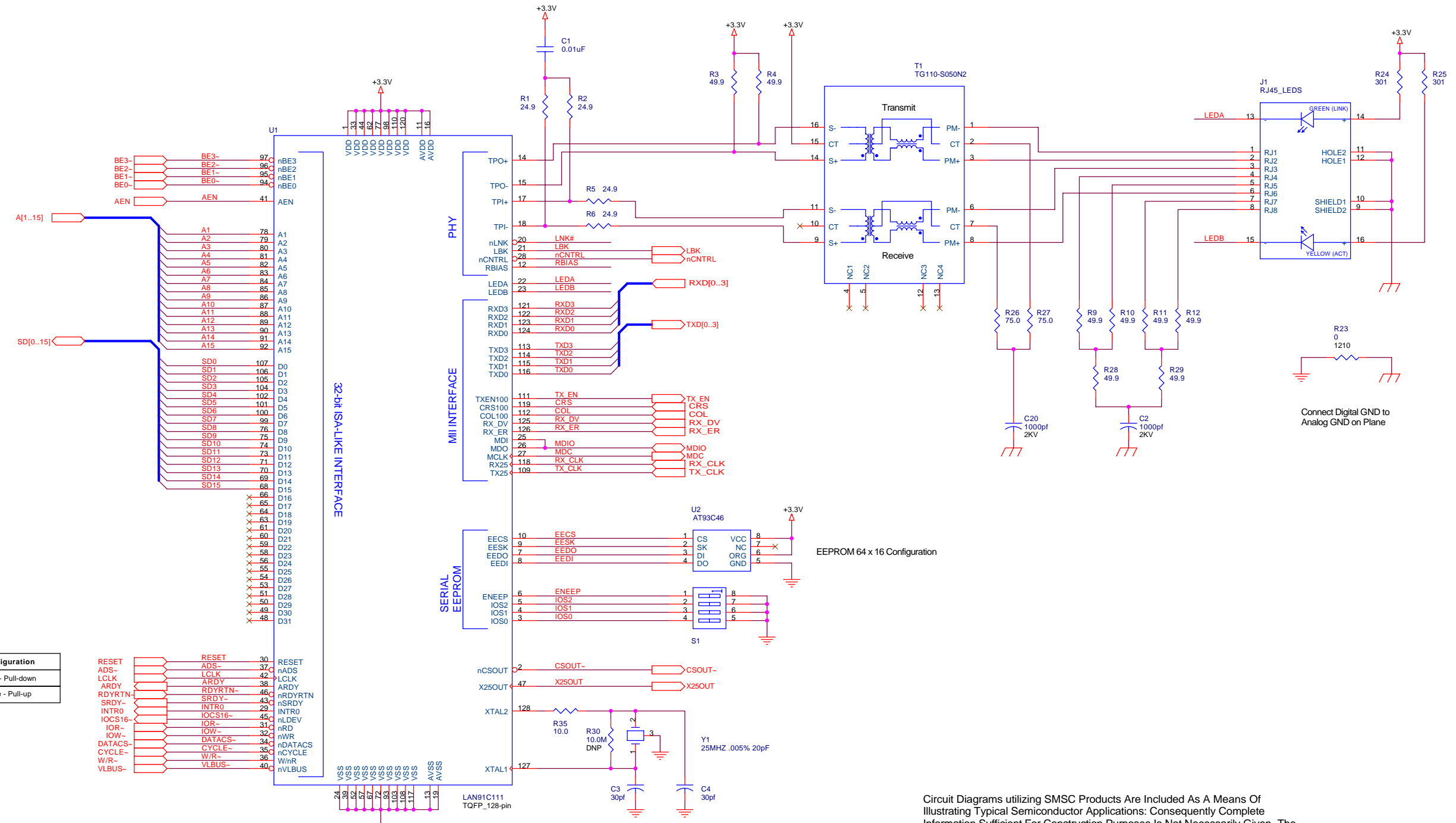
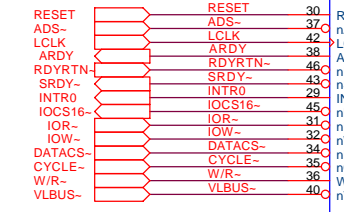


# SMSC LAN91C111 Evaluation Design

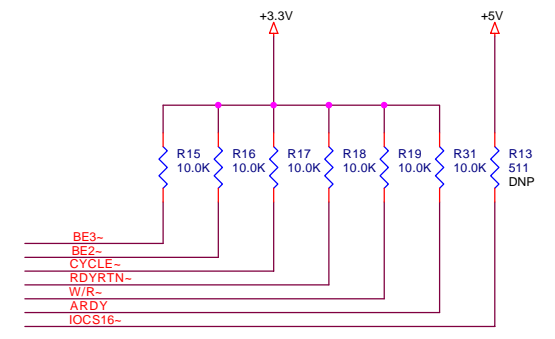
## Assembly No. 6173 Revision C1



LCLK Configuration	
16-Bit Mode - Pull-down	
32-Bit Mode - Pull-up	



Pull-ups / Pull-downs



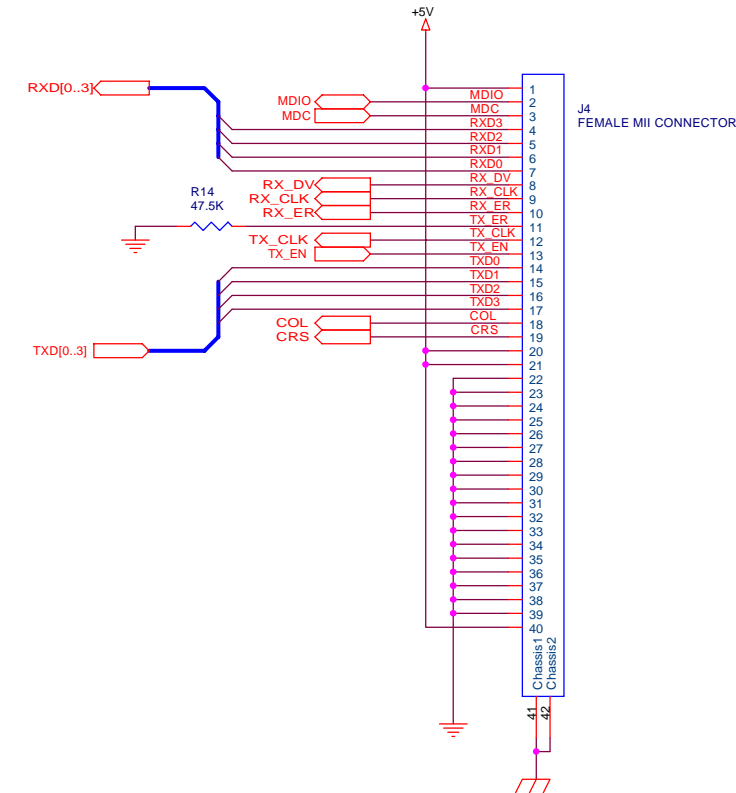
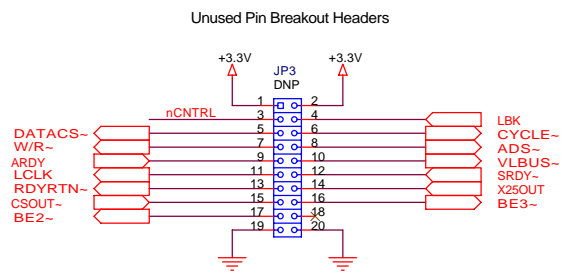
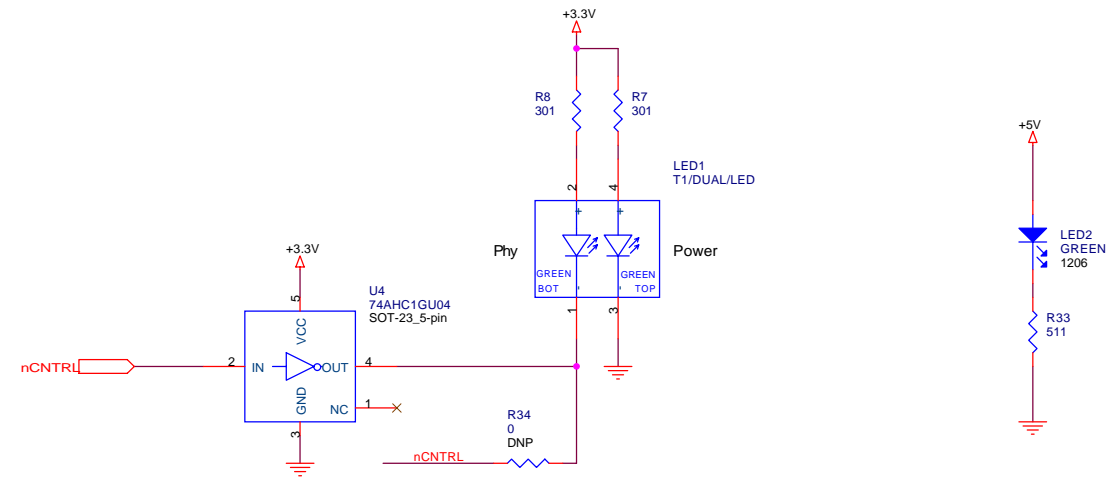
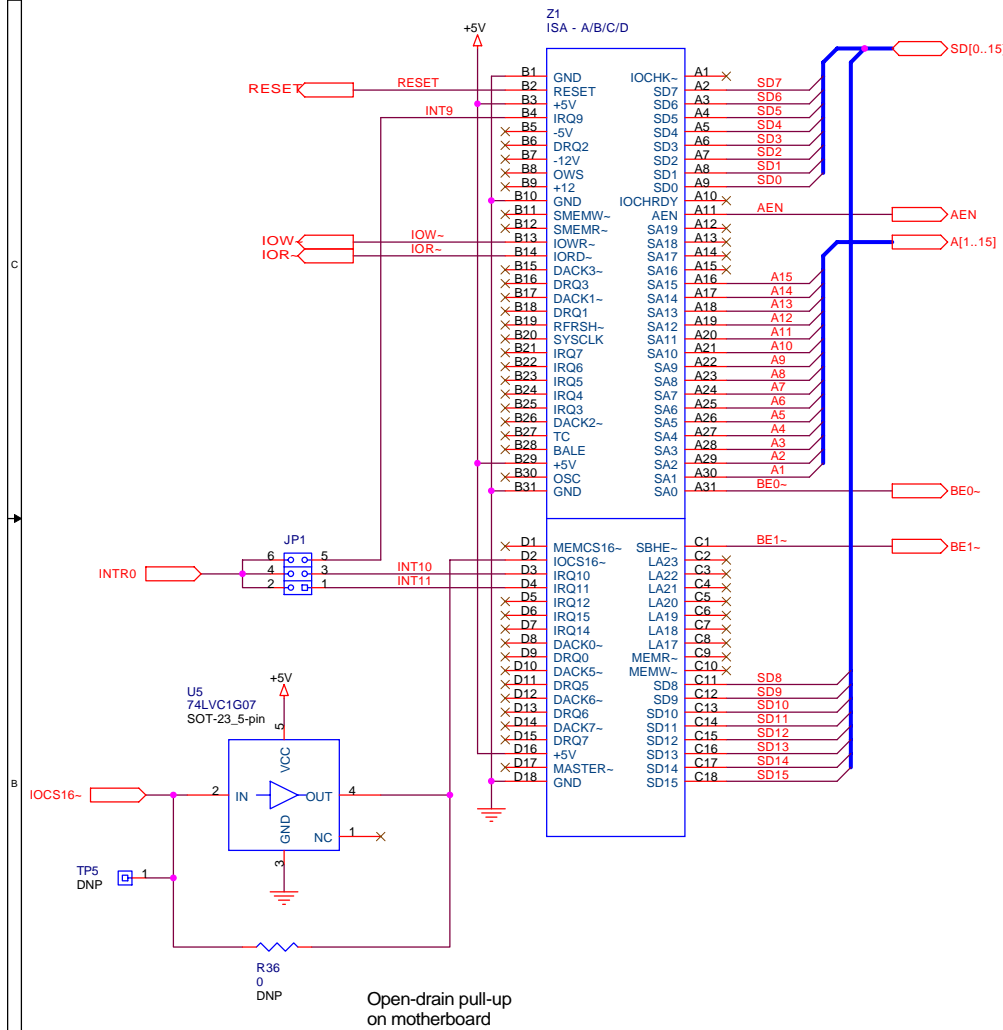
Circuit Diagrams utilizing SMSC Products Are Included As A Means Of Illustrating Typical Semiconductor Applications; Consequently Complete Information Sufficient For Construction Purposes Is Not Necessarily Given. The Information Has Been Carefully Checked And Is Believed To Be Entirely Reliable. However, No Responsibility Is Assumed For Inaccuracies. Furthermore, Such Information Does Not Convey To The Purchaser Of The Semiconductor Devices Described Any License Under The Patent Rights Of SMSC Or Others. SMSC Reserves The Right To Make Changes At Any Time In Order To Improve Design And Supply The Best Product Possible.

**SMSC**  
SUCCESS BY DESIGN

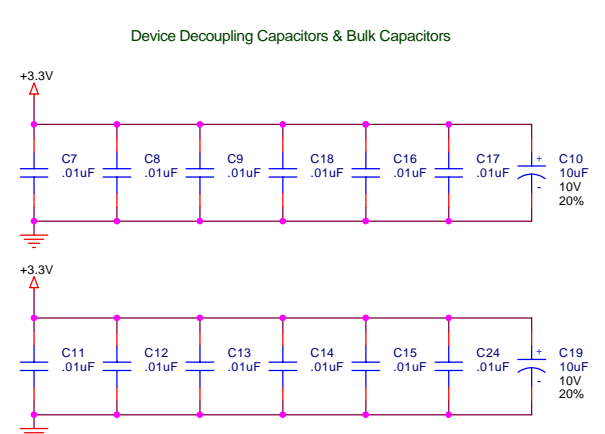
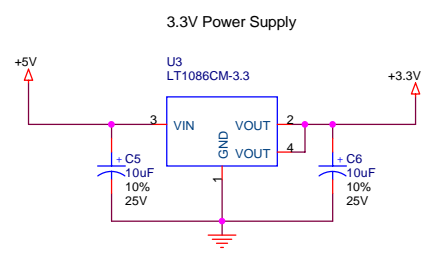
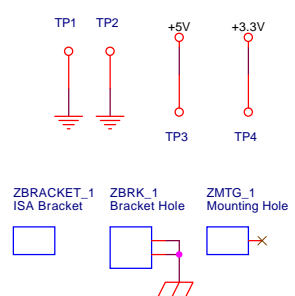
Title <b>LAN91C111 Evaluation Board</b>			
Size <b>C</b>	Engineer	Assembly No. <b>6173</b>	Rev <b>C1</b>
Date: Thursday, April 26, 2007		Sheet 1 of 2	

# SMSC LAN91C111 Evaluation Design

## Assembly No. 6173 Revision C1



Open-drain pull-up on motherboard



**SMSC**  
SUCCESS BY DESIGN

Title: **LAN91C111 Evaluation Board**

Size: <b>C</b>	Engineer:	Assembly No.: <b>6173</b>	Rev: <b>C1</b>
Date: Thursday, April 26, 2007		Sheet 2 of 2	