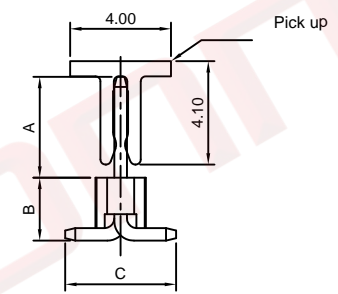
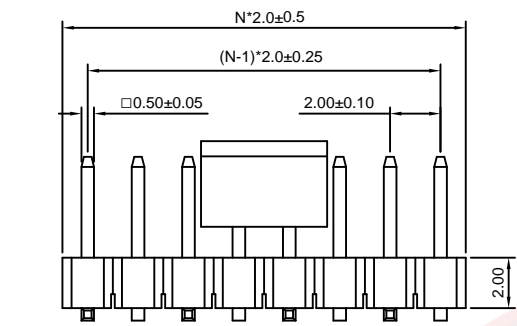
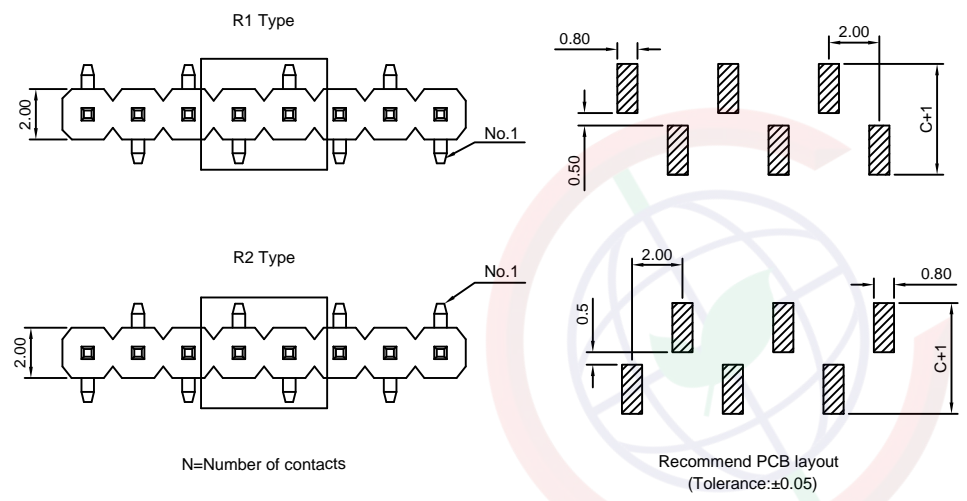


Dept	
Qty	
DC	1
ED	1
IE	1
ISO	1
PD	1
R&D	1
SD	1
QA	1
QC	1
QE	1

The information provided herein is from CONNPLY Electronic Co., Ltd. and is confidential. Any disclosure to a party other than the recipient is prohibited. The intellectual properties and its rights contained herein, including but not limited to, trademarks, patents, copyrights, trade secrets, and technical know-how, are owned exclusively by CONNPLY or its affiliates. Unauthorized use or reproduction of any part of this document is strictly prohibited. CONNPLY may enforce its intellectual property rights at its own discretion, failures or delays to exercise such rights does not constitute a waiver of such rights.



(Series Image-Reference Only)

Table A:

Type	Dimension		
	A	B	C
1	4.00	2.50	4.40

GENERAL TOLERANCE		ANGLE TOLERANCE	
X.	±0.60	X.	±5°
.X	±0.38	.X	±3°
.XX	±0.25	.XX	±2°
DRAWING TYPE		CUSTOMER	
SCALE		1:1	SHEET 1 OF 1
DRAWING NO.		C-DS1025-03-XXXXX-X-C	

REV.	DESCRIPTION	DRAWN	CHECKED	APPROVED
A	NEW RELEASE	LJH 05/17/05'		LJC 05/17/05'
B	ADD P/N CODE	LJC 12/09/13'		LJC 12/09/13'
C	DRAWING UPDATE	JLZ 09/17/18'		

Notes:
Specifications:
1. Contact Resistance: 20mΩ Max.
2. Insulation Resistance: 1000MΩ Min.
3. Dielectric Withstanding Voltage: 500V AC(rms) For 1 Minute.
4. Current Rating:1.5A.
5. Temperature: -40°C--+105°C.
Materials:
1. Contact Material: Copper Alloy.
2. Contact Plating: Gold Plating Over Nickel.
3. Insulator Material: High temp,Black,UL94-V0.
Product Number Code:
DS1025-03 - X X X X X X X X - X

- Plating level
- 3A: Level 3A
- B: Level B
- Packing type
- R: Tape on reel
- B: Tube
- Pick up support
- S: W/ Pick up
- X: W/O Pick up
- Contact type
- 1: R1 type
- 2: R2 type
- DIM.A B C type
- 1: Type 1
- or A*.*-B*.*-C*.*
- Mounting type
- S: SMT type
- Housing color
- B: Black
- Contact plating
- 8: Full gold flash
- Connector type
- P: Plug
- No.of contacts
- 1x2-1x40

PROJECTION		TITLE	2.0mm Pin Header
UNITS	mm	Single Row SMT Type	
SHEET SIZE	A4	SERIES	DS1025-03 SERIES

