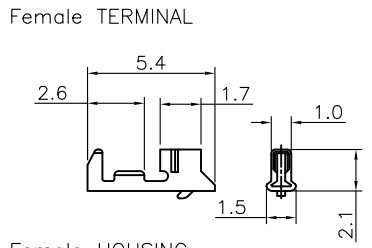
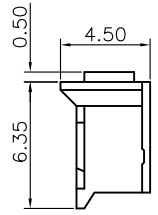
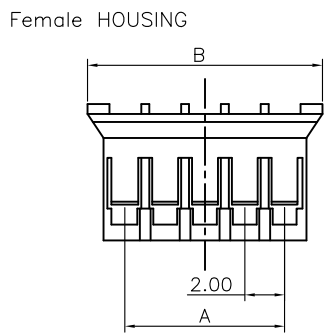


REV.	DESCRIPTION	DRAWN	CHECKED	APPROVED
A	NEW RELEASE	LJH 05/09/05'		LJC 05/09/05'
B	DRAWING UPDATE	JLZ 06/15/16'		



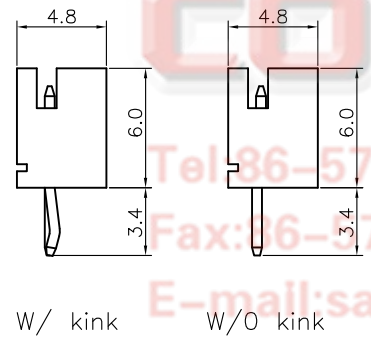
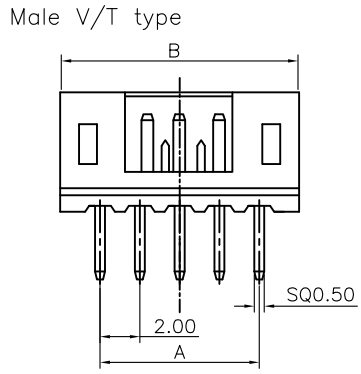
T-DS1066-S C X 0 0
 Contact Plating
 6: Tin



Female Terminal

Wire Range	O.D of Wire	
Section Area (mm ²)	AWG#	mm
0.05~0.22	30~24	0.9~1.5

I-DS1066-S C W 0 X
 No. of Housing
 02~15



Female HOUSING

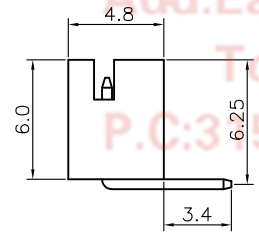
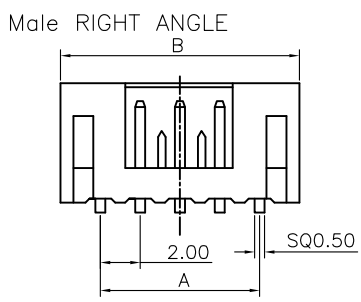
Position	DIMENSION	
	A	B
2	2.0	5.8
3	4.0	7.8
4	6.0	9.8
5	8.0	11.8
6	10.0	13.8
7	12.0	15.8
8	14.0	17.8
9	16.0	19.8
10	18.0	21.8
11	20.0	23.8
12	22.0	25.8
13	24.0	27.8
14	26.0	29.8
15	28.0	31.8

Male

Position	DIMENSION	
	A	B
2	2.0	5.9
3	4.0	7.9
4	6.0	9.9
5	8.0	11.9
6	10.0	13.9
7	12.0	15.9
8	14.0	17.9
9	16.0	19.9
10	18.0	21.9
11	20.0	23.9
12	22.0	25.9
13	24.0	27.9
14	26.0	29.9
15	28.0	31.9

- NOTES:
- MAIN SPECIFICATIONS
 - Housing material: NYLON 66
 - Wire range: AWG#30~#24
 - Rated voltage: 250V
 - Rated current: 1A
 - Contact resistance: ≤ 30mΩ
 - Insulation resistance: ≥ 1000MΩ
 - Withstanding voltage: 500V,AC 1 minute
 - Temperature range: -25 ~ +85°C
 - Recommend PC board thickness:1.6mm
 - PRODUCT NUMBER CODE:
 - DS1066 - X X X X X X X

Bend Type(R/A only)
 B: Type B
 Contact Type
 X: W/O kink
 S: W/ kink
 Contact Plating
 6: Tin
 8: Full gold flash
 Housing Color
 W: White
 T: Transparent
 Mounting type
 V: V/T type
 R: Right Angle
 Connector type
 M: Male
 No. of contact
 2 to 15



Type B

GENERAL TOLERANCE		ANGLE TOLERANCE		PROJECTION	TITLE
X.	±0.60	X.	±5°		P.C.B CONNECTOR 2.0mm PH TYPE
.X	±0.38	.X	±3°	mm	
.XX	±0.25	.XX	±2°	A4	SHEET SIZE
DRAWING TYPE				SERIES	
CUSTOMER				DS1066 SERIES	
SCALE		SHEET		1 OF 1	
DRAWING NO.		C-DS1066-XXXXXXX-B			

晨翔电子有限公司
CONFLY CONNFLY ELECTRONIC CO. LTD