

BL0102-14-34

Features

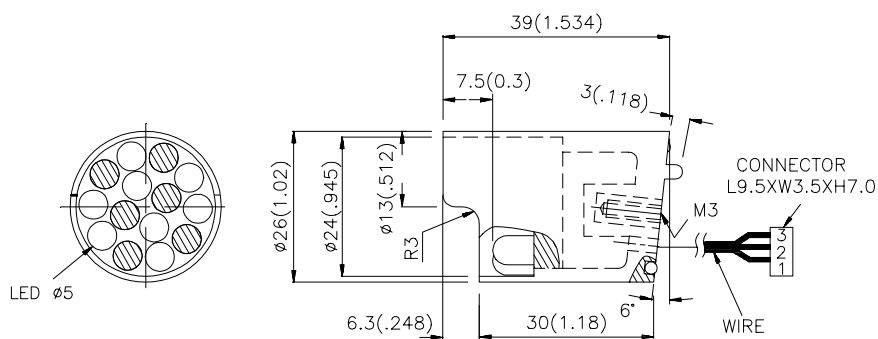
- HIGH VISIBILITY.
- EMITTING COLOR: GREEN, RED AND ORANGE (MIXED COLOR).
- NO. OF BUILT-IN 5mm LED LAMPS: SUPER BRIGHT RED 6 PCS, SUPER BRIGHT GREEN 8 PCS.
- WATERPROOF PACKAGE WITH HOOD SUITABLE FOR OUTDOOR AND INDOOR INFORMATION BOARDS.

Description

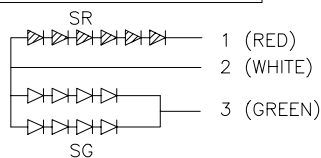
The Super Bright Red source color devices are made with Gallium Aluminum Arsenide Red Light Emitting Diode.

The Super Bright Green color devices are made with Gallium Phosphide Green Light Emitting Diode.

Package Dimensions



L-1583SRC-11.7 X6Pcs
L-1583SGC-11.7 X8Pcs



Notes:

1. All dimensions are in millimeters (inches).
2. Tolerance is $\pm 0.25(0.01)$ unless otherwise noted.
3. Lead spacing is measured where the lead emerge package.
4. Specifications are subject to change without notice.

Selection Guide

Part No.	Emitting Color +Material	$\lambda D(nm)$	Lens Type	Iv (mcd) @20mA		Viewing Angle	IF (mA)
				Min.	Typ.		
BL0102-14-34	GaAlAs	640	WATER CLEAR	1600	2800	40°	20
	GaP	568	WATER CLEAR	800	1600	40°	40

Note:

1. $\theta_{1/2}$ is the angle from optical centerline where the luminous intensity is 1/2 the optical centerline value.

Electrical / Optical Characteristics at $T_A=25^\circ C$

Symbol	Parameter	Device	Color	Min.	Typ.	Max.	Units	Test Conditions
Iv	Luminous Intensity	BL0102-14-34	Super Bright Red Super Bright Green	1600 800	2800 1600	-	mcd	IF=20mA IF=40mA
θ	Viewing Angle		Super Bright Red Super Bright Green	-	40	-	Deg	-
V_F	Forward Voltage		Super Bright Red Super Bright Green	-	11.1 8.8	15 10	V	IF=20mA IF=40mA
λ_{peak}	Peak Wavelength		Super Bright Red Super Bright Green	-	660 565	-	nm	IF=20mA IF=40mA
λD	Dominate Wavelength		Super Bright Red Super Bright Green		640 568		nm	IF=20mA IF=40mA
$\Delta\lambda_{1/2}$	Spectral Line Halfwidth		Super Bright Red Super Bright Green	-	20 30	-	nm	IF=20mA IF=40mA
I_R	Reverse Current		Super Bright Red Super Bright Green	-	10 20	-	μA	VR = 5V

Absolute Maximum Ratings at $T_A=25^\circ C$

Parameter	Super Bright Red	Super Bright Green	Units
Power dissipation	330	440	mW
DC Forward Current	30	50	mA
Reverse Voltage	5	5	V
Operating Temperature	-40° C To +70° C		
Storage Temperature	-40° C To +85° C		