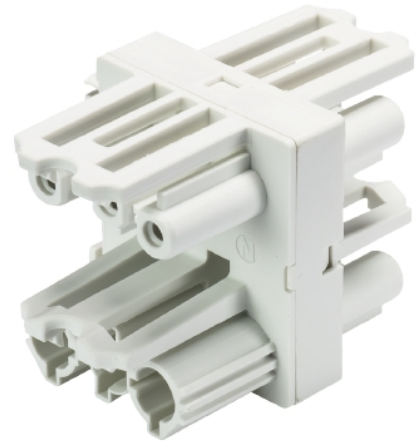


Data sheet

Commercial Art.No.: 92.030.6953.0

Distributor GST18i3V 3P1 B V WS

GST18i3 H-distributor, 3 pole, 1 IN, 3 OUT, with mounting option on separate mounting plate, coding mains 250 V, 20 A, coding color white



Commercial Art.No.	92.030.6953.0
EAN	4049088350726
Order Unit	20

Certificates / Approvals



Technical data

General

Rated current	20 A
Rated voltage	250 V
Rated impulse voltage	4 kV
Pollution degree	2
Mechanical coding	Code 1
Lockable	self-locking (unlocking by tool)
Color of coding/ contact carrier	white
Marking of poles	L, N, PE

Model

Number of inputs	1
Number of outputs	3
Type of fastening	yes
Degree of protection (IP)	IP20
Type of distributor	H-distributor

Material

Housing material	Polyamide
halogen free	yes
Contact material	CuZn
Fire load	0 kWh
Insulation components continuous temperature	100 °C

Surface finish	Tin-plated
----------------	------------

Dimensions

Length	59 mm
Width	37.9 mm
Height	40 mm

Classification

ECLASS 11	
ECLASS 8.1	27440603
ETIM 7.0	EC002567
ETIM 6.0	EC002567
ETIM 5.0	EC002567
ETIM 4.0	EC002567

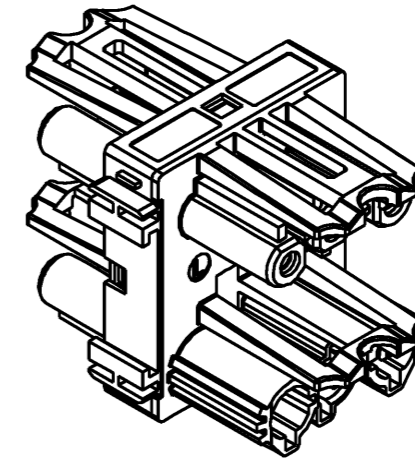
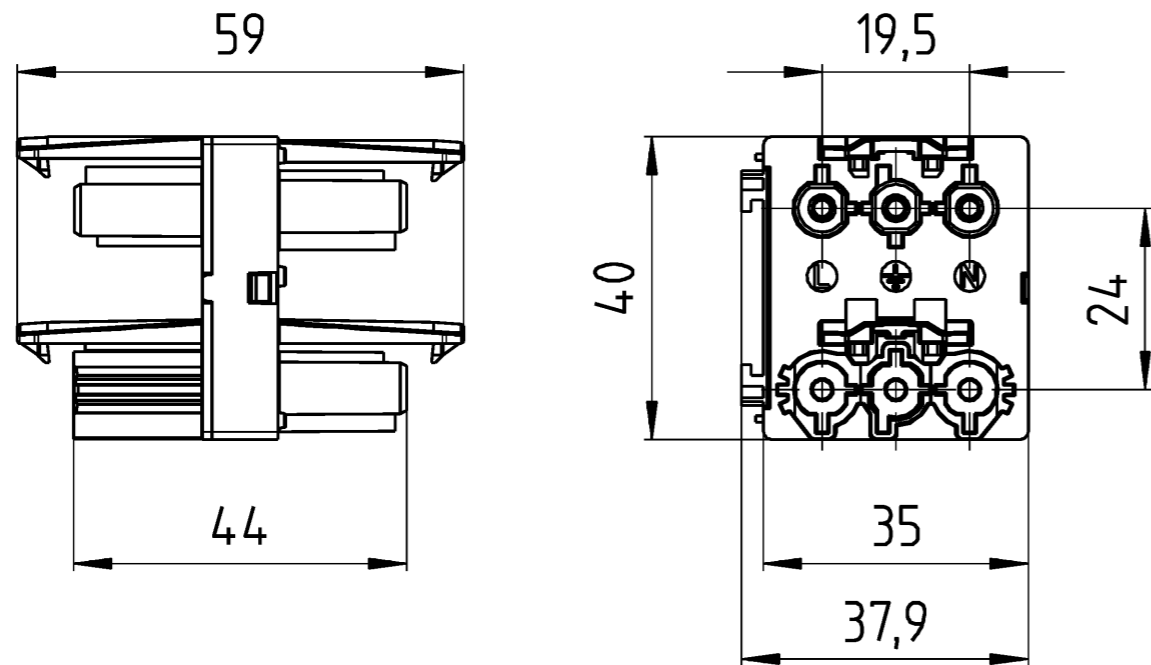
Product compliance

REACH-SVHC conformity status	Compliant
------------------------------	-----------

Accessories

Commercial Art.No.:	Article-type description:	Description:
05.588.5753.0	Lock GST18 VERTEILER WS	Locking device for distributor GST18i3-5, retrofit part, white
05.588.5753.1	Locking slide GST18 VERTEILER SW	Locking device for distributor GST18i3-5, retrofit part, black
05.561.3653.0	cover cap GST18i3VS B WS	Cover piece for female GST18i3, white
05.561.3653.1	cover cap GST18i3VS B SW	Cover piece for female GST18i3, black
05.564.5353.0	cover cap GST18i3/4/5 SW	Cover piece 12 pole black for female parts GST18i3-6
05.564.5353.2	cover cap GST18i3/4/5 WS	Cover piece 12 pole white for female parts GST18i3-6
05.594.4250.0	cover cap ST18/3B + GST18i3 ST WS	
05.594.4253.0	cover cap ST18/3B + GST18i3 ST WS	

A These dimensions will be especially checked at delivery
 B Only inspection dimensions
 C With JE marked dimensions are only valid for internal use
 D Diese Maße werden bei Abnahme besonders geprüft
 E Ausschließlich Prüfmaße
 F Mit JE gekennzeichnete Maße sind nur für interne Zwecke gültig



a	Teile-Nr./part-no.	Farbe/colour	Typ/type
	92.030.6953.0	weiß/white	GST18I3V 3P1 B V WS
	92.030.6953.1	schwarz/black	GST18I3V 3P1 B V SW

Weitere Daten siehe KATALOG oder eKATALOG. Additional data see CATALOG or eKATALOG.		www.wieland-electric.com eshop.wieland-electric.com	
Tolerierung Size ISO 14405 (E) / Tolerance system Size ISO 14405 (E). (This ISO-standard describes the envelope principle. According to the envelope principle the deviations of form and parallelism are limited by the size tolerances).		ja/yes <input checked="" type="checkbox"/> Stoffverbots- und Deklarationsliste nach WN 5020.010 ist einzuhalten. Conformity with Wieland document WN 5020.010 e (list of prohibited / declarable hazardous substances) to be declared!	
Freitoleranz nach General tolerance	CAD - Zeichnung, keine manuellen Änderungen CAD - drawing, no manual modifications allowed	1. Verwendung: First Use:	Blatt: 1 von Sheet: 1 of
	Werkstoff / Material	Tag/Date	Name
	Maßstab / Scale	gezeichnet drawn	14.06.2016 Ritter K.
	1:1	geprüft checked	
		Normgepr. Stand. check	
	Vol. --- mm ³	OfL./Surf. --- mm ²	Ersatz für / Replacement for:
a	18.07.16	Type	Benennung/Title
Index	Datum / Blatt Date / Sheet	wieland www.wieland-electric.com	GST18I3V VERTEILER_H
Änderung / Revision			distributor

Weitergabe sowie Vervielfältigung dieses Dokuments, Verwertung und Mitteilung
 seines Inhalts sind verboten, soweit nicht ausdrücklich gestattet.
 The reproduction, distribution and utilization of this document as well as the
 communication of its contents to others without express authorization is prohibited.