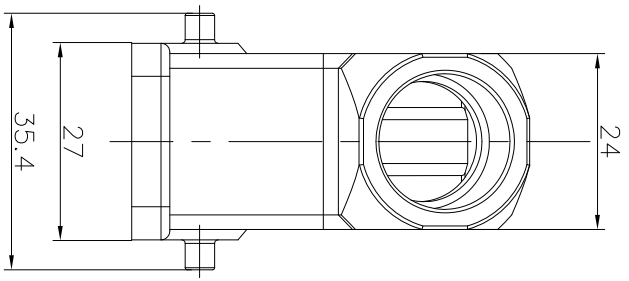
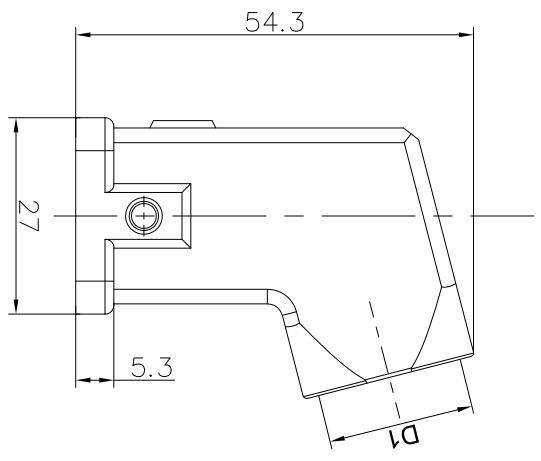
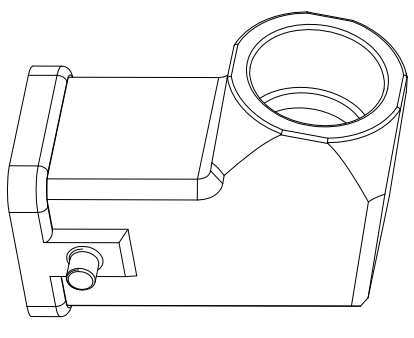



TYPE	Thread(D1)	Selection
D3A.P-SF-2g-PG11	PG11	
D3A.P-SF-2g-M20	M20	

REVISION RECORD				
REV	ECN	DESCRIPTION	DRFT	DATE



Hoods Feature:

1. Material: Polycarbonate
2. Colour: Light grey (RAL7032)
3. Limiting temperatures: -40°C ~ +125°C
4. Flammability acc. to UL94: V0
5. Degree of protection acc. TO DIN EN 60529 for coupled connector: IP65
6. Rohs Compliance

DETACHED LISTS				
PART NO.:	APPR: Huang JS 2016.08.08	NAME:	 NINGBO DEGSON ELECTRICAL CO., LTD 宁波高松电子有限公司	
CHKD: Yang SH 2016.08.08	DRFT: Zhou YZ 2016.08.08	TITLE: CUSTOMER DRAWING		
THIRD ANGLE PROJECTION		DRAWING NO.:	REV	DO
		1MM (INCH)	DO NOT SCALE DRAWING	SCALE
			1	1:1