

The information provided herein is from CONNELY Electronic Co., Ltd. and is confidential. Any disclosure to a party other than the recipient is prohibited. The intellectual properties and its rights contained herein, including but not limited to, trademarks, patents, copyrights, trade secrets, and technical know-how, are owned exclusively by CONNELY or its affiliates. Unauthorized use or reproduction of any part of this document is strictly prohibited. CONNELY reserves the right to make changes to this document without notice and to exercise such rights to the extent of such rights.

4	Bolt	H-L0480-1280-1-04(-Fe)	Steel Or Copper Alloy	Nickel
3	Split Washer	W-C0550-0100-2	Steel	Nickel
2	Washer	W-C0550-0060-1	Steel	Nickel
1	Nut	N-L0475-0200-04	Steel	Nickel
Item	Part Name	Part No.	Material	Finished

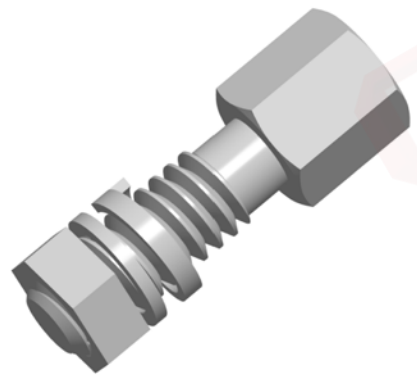
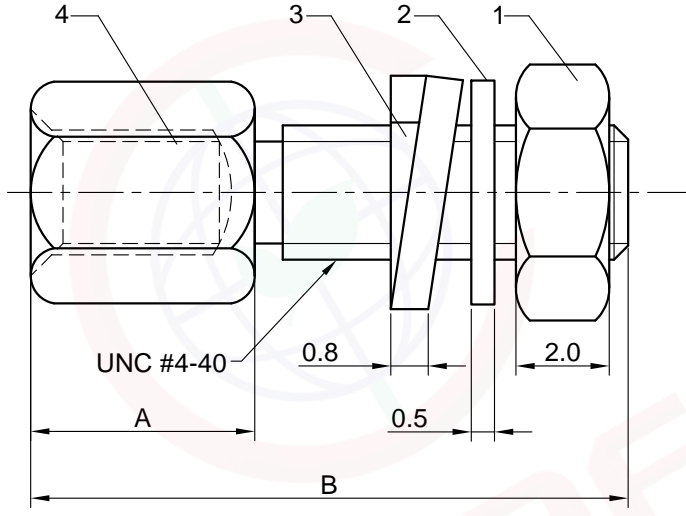
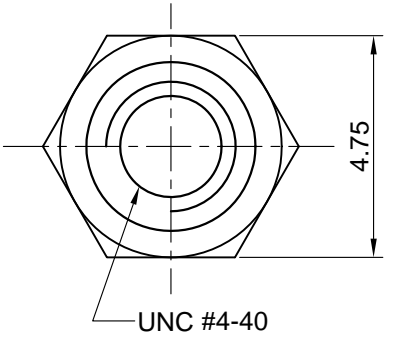
REV.	DESCRIPTION	DRAWN	CHECKED	APPROVED
A	NEW RELEASE	LL 01/22/07'		LJC 01/22/07'
H	DRAWING UPDATE	QHZ 05/21/18'		

NOTES:

1. Plating: Nickel
2. Product Number Code

DS1045-01 - X X X - X - Fe

- Material Support
N/A: 4 Copper Alloy
Fe: 4 Fe
- Packing Type:
A: 1set/bag
B: 2set/bag
Q: (1)*N Pcs/bag(s).....
(4)*N Pcs/bag(s), N ≤ 2000;
(1,2,3,4)bag(s)/bag(B)
- Components support:
1: W/O 1
2: W/O 2
3: W/O 3
4: standard (W/ 1 2 3)
5: W/O 2 3
6: W/O 1 2
X: W/O 1 2 3
- Dim. A type:
0400: 4.00mm
0480: 4.80mm
0580: 5.80mm
- Dim. B type:
1000: 10.0mm
1180: 11.8mm
1200: 12.0mm
1280: 12.8mm
1320: 13.2mm
1780: 17.8mm
1570: 15.7mm
1880: 18.8mm
1700: 17.0mm



(Series Image-Reference Only)

GENERAL TOLERANCE		ANGLE TOLERANCE	
X.	±0.60	X.	±5°
.X	±0.38	.X	±3°
.XX	±0.25	.XX	±2°
DRAWING TYPE		CUSTOMER	
SCALE	1:1	SHEET	1 OF 1
DRAWING NO.	C-DS1045-01-XXX-H		

PROJECTION		TITLE	
UNITS	mm	Screw Assembly	
SHEET SIZE	A4	SERIES	DS1045-01 SERIES

晨翔电子有限公司
 CONNELY ELECTRONIC CO., LTD