

Side level sensor

KLS26-MR-L4 Side level sensor

Material:

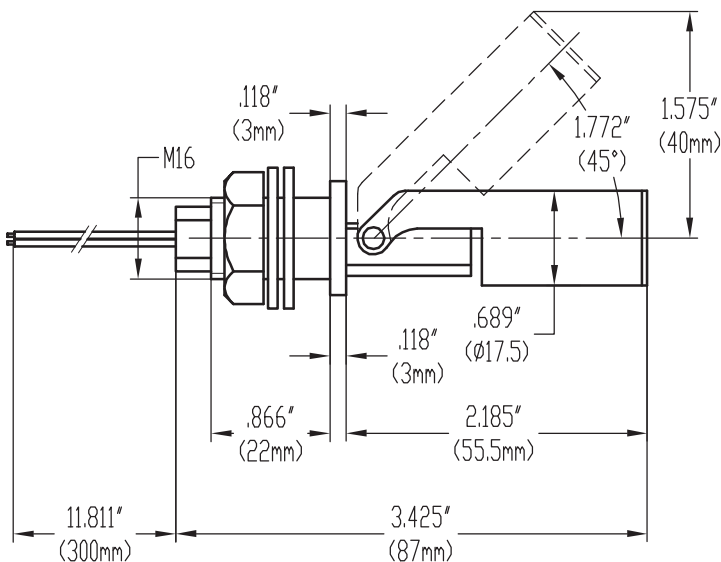
Float ball:PP Black
 Float body:PP Black
 Cap nut:PP Black
 O-ring:PP Black
 E-ring:Rubber
 Wire:UL 1015 22# black
 Filling:epoxy glue
 Reed switch:229

Electrical Specification:

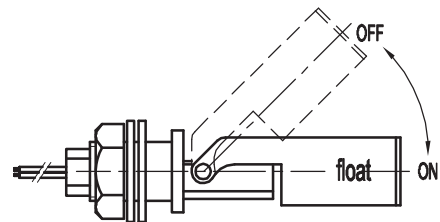
Contact rating:50W
 Max switching current:DC350/AC300
 Breakdown voltage:600 min
 Max switching voltage:DC0.7/AC0.5
 Max carry current:2.5A
 Contact resistance:100 max
 Insulation resistance: 10^{10} min
 Get an electric shock life: 10^7
 Applicable temperature:-10°C~+85°C



I



Movement explanation



Movement explanation:

1. When the float is in $20 \pm 2^\circ$, the reed switch will be closed.
2. When the float is in $25 \pm 2^\circ$, the reed switch will be open.

ORDER INFORMATION

Product NO.: **KLS26-MR-L4**

Pos. NO. _____ Serial number _____