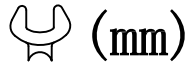


Plastics Cable gland



REVISION RECORD

REV	ECN	DESCRIPTION	DRFT	DATE

PG thread

Claping range(Ø)

SW1

SW2

SW3

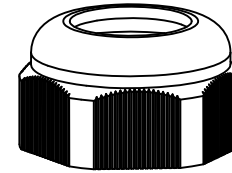
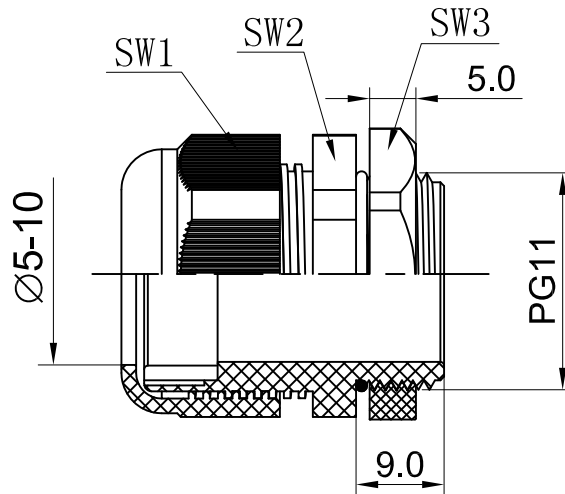
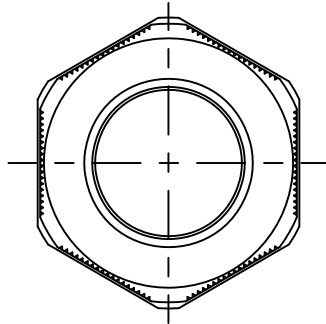
PG11

5-10

21.5

21.8

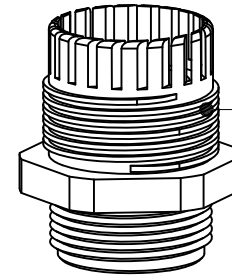
24.0



Sealing nut



Seal



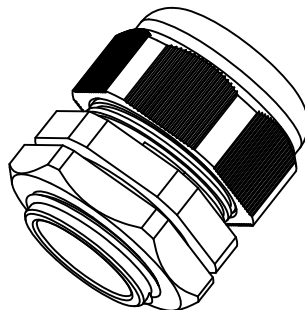
Body



O-Ring



Lock nut



Plastics Cable gland

Material:Nylon

Seal Material:NBR

Degree of protection:IP68

Temperature range:-40~100°C

Color:Black

DETACHED LISTS	PART NO.:	/		
	APPD:	NAME: 宁波高松电子有限公司 NINGBO DEGSON ELECTRICAL CO., LTD		
	CHKD:	DDL-PG11P-01AH		
	DRFT: Mr. Yang2016.08.18	TITLE: CUSTOMER DRAWING	REV	D0-1
 THIRD ANGLE PROJECTION	DRAWING NO.:	SHEET	1/1	
	 MM (INCH)	DO NOT SCALE DRAWING	SCALE	