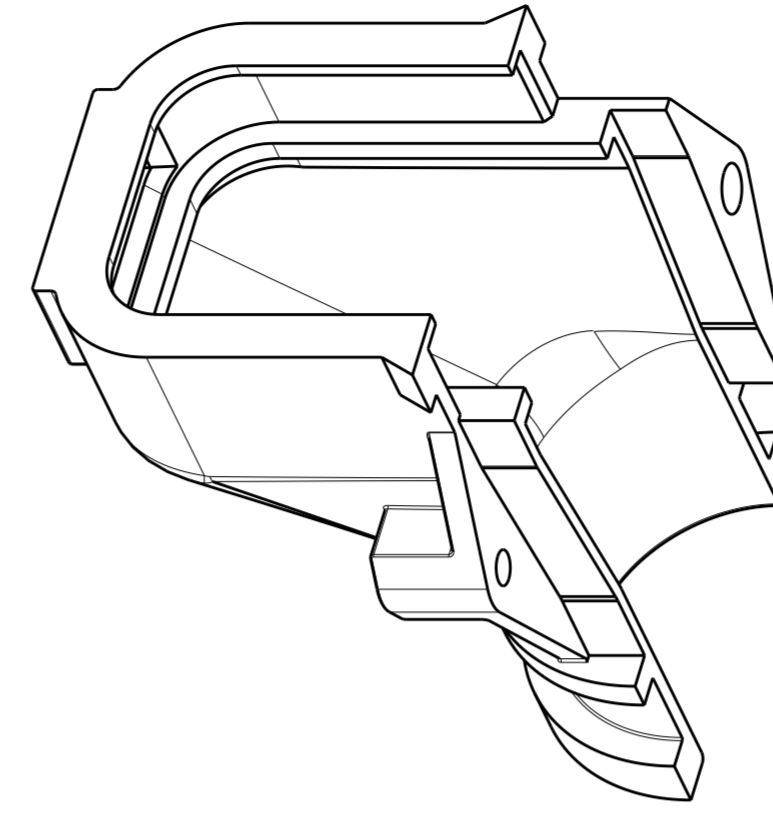
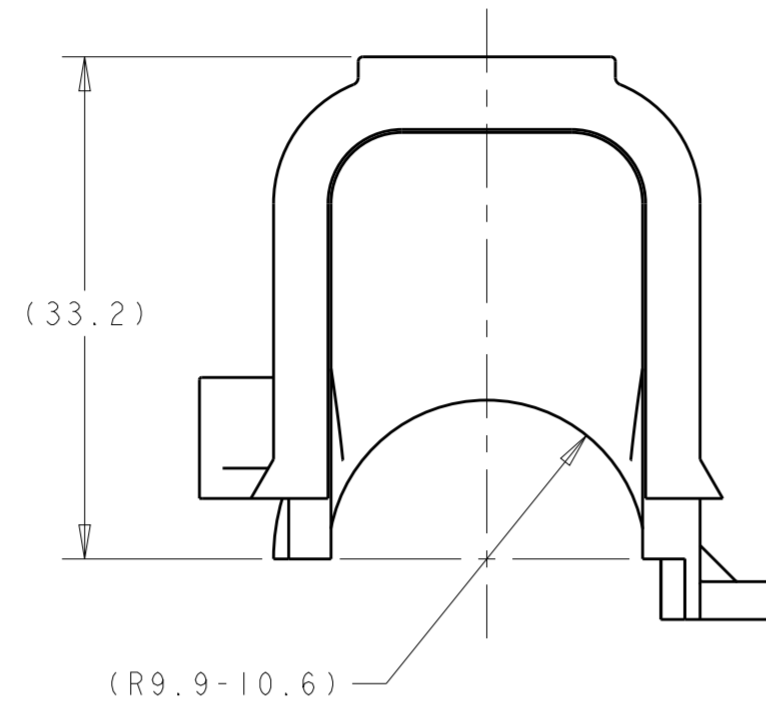


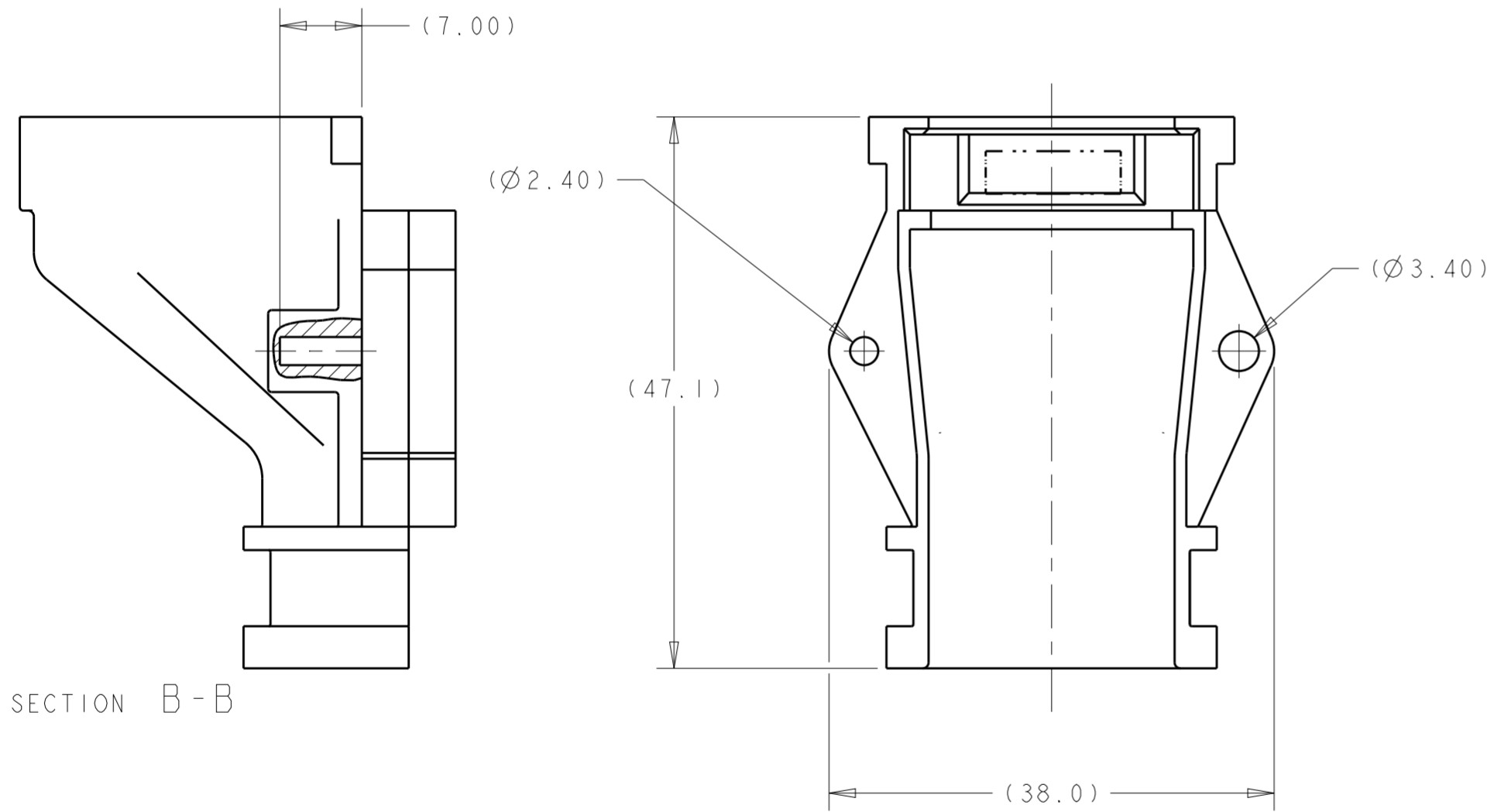
THIS DRAWING IS UNPUBLISHED. RELEASED FOR PUBLICATION 20
 © COPYRIGHT 20 BY - ALL RIGHTS RESERVED.

REVISIONS					
P	LTR	DESCRIPTION	DATE	DWN	APVD
B1		REVISED PER 0K40-0113-04	27APR2004	AG	MT
B2		REVISED PER ECO-15-007694	21MAY2015	DD	DS



SCALE 2:1

- 1 MATERIAL: PBT, 15% GLASS FILLED, COLOR: BLACK
- 2. ACCEPTS #4 SELF TAPPING SCREW (ELCO HI-LO THREAD CUTTING STYLE OR EQUIVALENT) TO BE DRIVEN AT 0.6±0.2 N-M FOR INITIAL ASSEMBLY.



776463-1
PART NUMBER

THIS DRAWING IS A CONTROLLED DOCUMENT.		DWN R. VESTAL 01APR2003	STE TE Connectivity	
		CHK M. TRULL 01APR2003		
		APVD M. TRULL 01APR2003	NAME WIRE, RELIEF, 35 POSITION	
DIMENSIONS: mm		TOLERANCES UNLESS OTHERWISE SPECIFIED:		SIZE A200779
0 PLC ±-		1 PLC ±-		CAGE CODE C-776463
1 PLC ±-		2 PLC ±0.10		DRAWING NO 776463
2 PLC ±-		3 PLC ±-		RESTRICTED TO
3 PLC ±-		4 PLC ±-		
4 PLC ±-		ANGLES ±2°		
FINISH		WEIGHT		SCALE 2:1
MATERIAL		CUSTOMER DRAWING		SHEET 1 OF 1
				REV B2