

**NOTES**

- ① 材料及び仕上げ(めっき仕様) : TABLE 1 参照  
MATERIAL AND FINISHES : SEE TABLE 1
- 2. 梱包形態 : SHEET 3 参照  
PACKAGING INFORMATION : SEE SHEET 3
- ③ 嵌合相手 : 78172 シリーズ  
MATES WITH:78172 SERIES
- 4. 製品仕様書 : 781720000-PS PS 000  
PRODUCT SPECIFICATION:781720000-PS PS 000
- 5. アプリケーション仕様書(コネクタ取扱い説明書) : AS-78172-001  
APPLICATION SPECIFICATION(CONNECTOR MANUAL): AS-78172-001
- 6. 端子テール部及びネイルの平坦度:0.1 MAX.  
TAIL AND NAIL COPLANARITY TO BE 0.1 MAX.
- ⑦ 極数 = 偶数に適応  
APPLY FOR CIRCUIT SIZE = EVEN
- 8. ELV及びRoHS適合品。  
ELV & RoHS COMPLIANT.
- 9. オーダー番号は以下の内容を示す  
ORDER No INDICATES AS BELOW:  
78171500\*

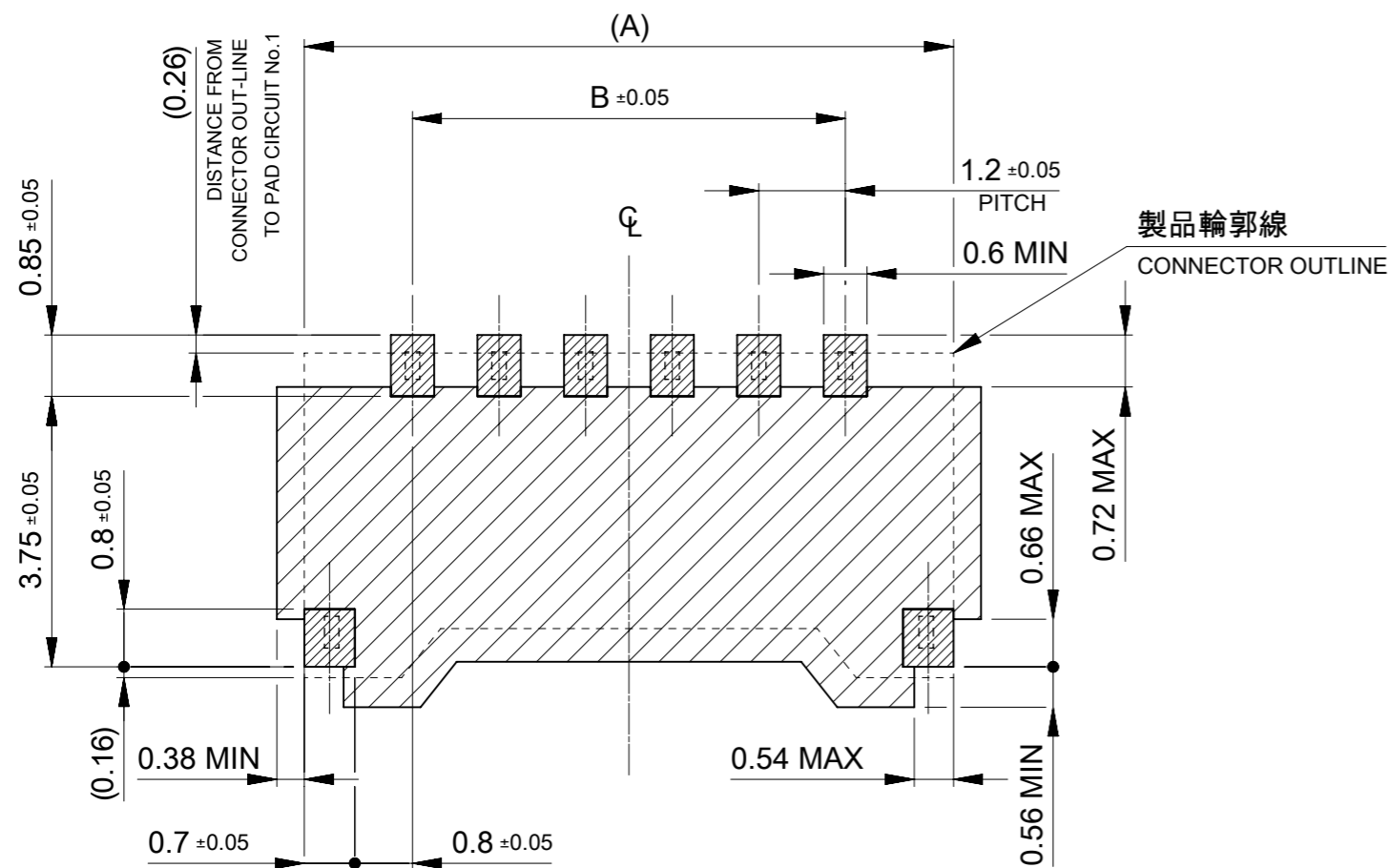
① **TABLE 1**

番号 No.	部品 PART	仕様 SPECIFICATION
①	ハウジング HOUSING	ポリアミド(PA), ガラス充填, UL94 V-0, 色 : 黒 POLYAMIDE(PA), GLASS FILLED, UL94 V-0, COLOR: BLACK
②	ターミナル TERMINAL	材料 MATERIAL
		下地めっき UNDER PLATING
		接点部めっき CONTACT PLATING
③	ネイル NAIL	材料 MATERIAL
		下地めっき UNDER PLATING
		表面めっき SURFACE PLATING
		表面めっき SURFACE PLATING

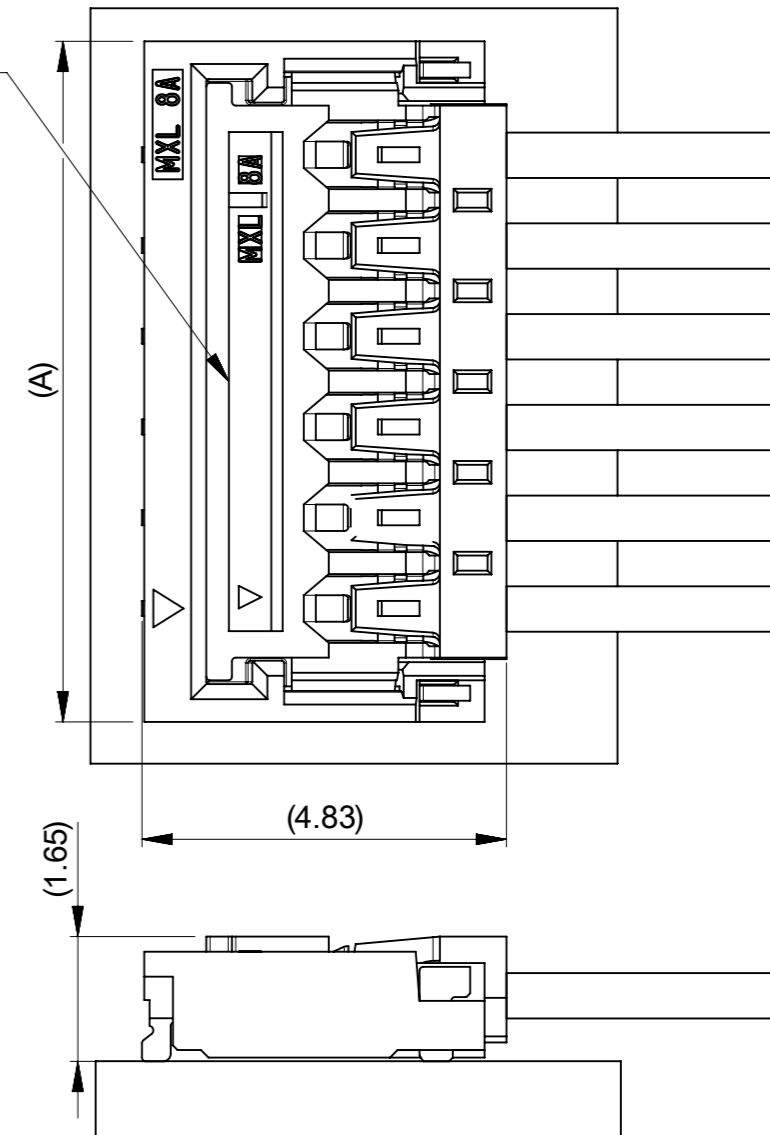
4.72	8.62	7.2	10.2	781715007	7
4.12	7.42	6.0	9	781715006	6
D	C	B	A	オーダー番号 ORDER No	極数 CIRCUIT SIZE

THIS DRAWING CONTAINS INFORMATION THAT IS PROPRIETARY TO MOLEX ELECTRONIC TECHNOLOGIES, LLC AND SHOULD NOT BE USED WITHOUT WRITTEN PERMISSION

DIMENSION UNITS mm	SCALE NTS	CURRENT REV DESC: REVISE	<b>molex</b>		
GENERAL TOLERANCES (UNLESS SPECIFIED)					
ANGULAR TOL	± 3.0 °		PICO-EZMATE 1.2 WIRE TO BOARD CONNECTOR 6-7 CKT PLUG ASSEMBLY		
4 PLACES	± 0.2	EC NO: 772180	PRODUCT CUSTOMER DRAWING		
3 PLACES	± 0.2	DRWN: HHUSSIN 2023/12/04	DOCUMENT NUMBER		
2 PLACES	± 0.2	CHK'D: SAKIYAMA 2023/12/19	DOC TYPE DOC PART REVISION		
1 PLACE	± 0.2	APPR: AIDA 2023/12/20	781710001-SD PSD 000 B		
0 PLACES	± 0.2	INITIAL REVISION: DRWN: HHUSSIN 2020/09/30 APPR: AIDA 2022/06/07	MATERIAL NUMBER CUSTOMER SHEET NUMBER		
DRAFT WHERE APPLICABLE MUST REMAIN WITHIN DIMENSIONS		THIRD ANGLE PROJECTION	DRAWING A3-SIZE	SERIES 78171	SEE CHART GENERAL 1 OF 3



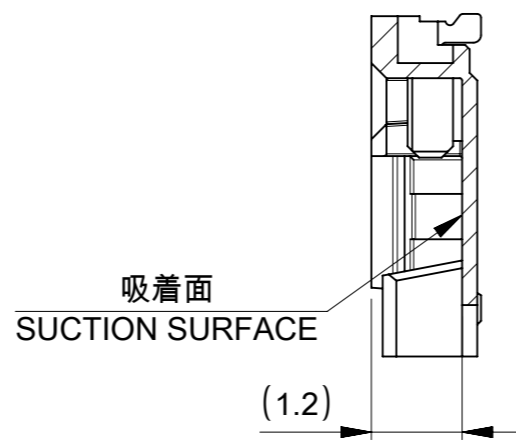
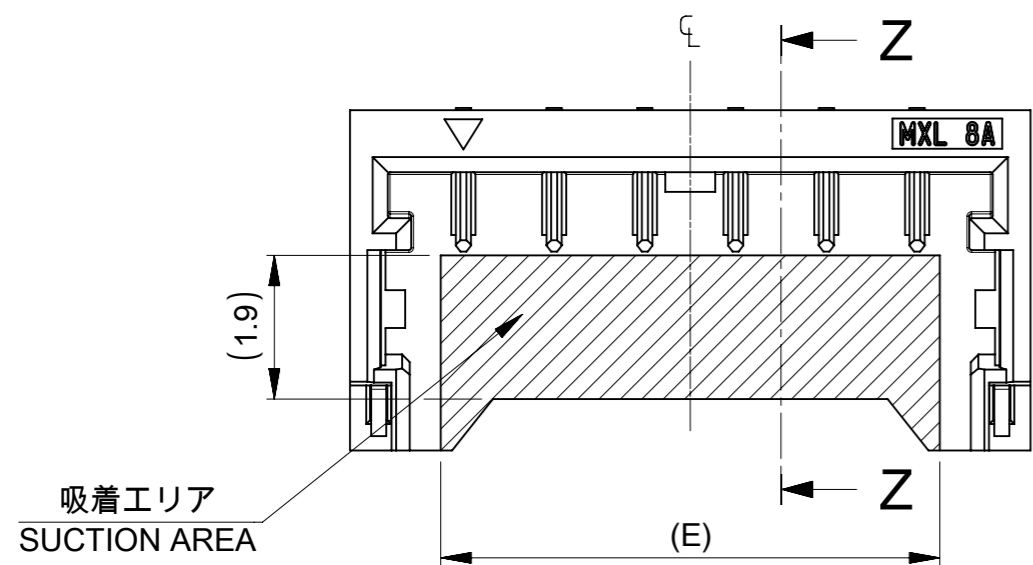
△3 嵌合相手 : 78172シリーズ  
MATE WITH : 78172 SERIES



推奨基板レイアウト : 実装面側  
(参考 : 基板厚1.0mm、メタルマスク厚さ 0.1mm、マスク開口100%)  
RECOMMENDED PCB LAYOUT : COMPONENT SIDE  
(REFERENCE:PCB THICKNESS 1.0mm,STENCIL THICKNESS 0.1mm APERTURE RATIO 100%)

パターン非推奨エリア  
パターンを引き回す際は、製品機能に影響がないことをご確認ください。  
PATTERN IS NOT RECOMMENDED ON THE HATCHED AREA.  
PLEASE CHECK NOT TO HAVE PROBLEM FOR PRODUCT FUNCTION  
WHEN SETTING PATTERN ON THE HATCHED AREA.

嵌合図  
MATED CONNECTORS

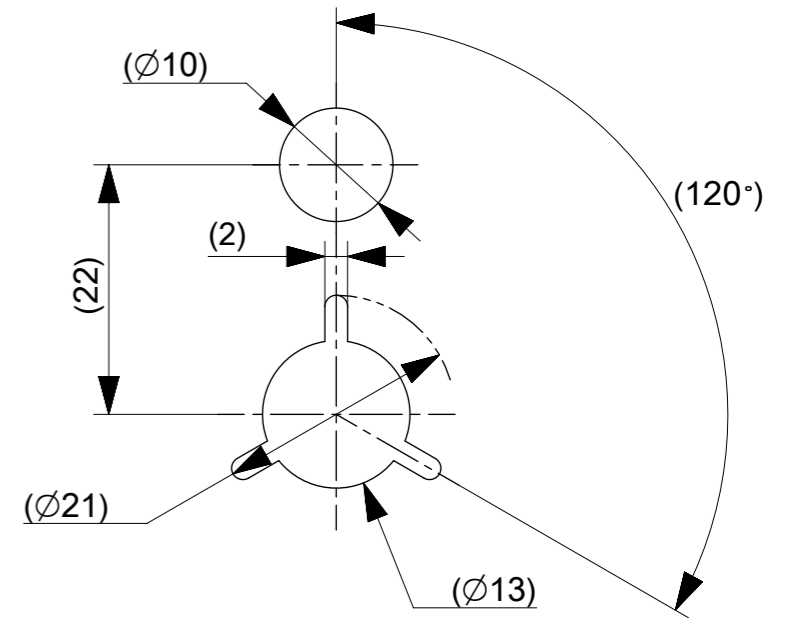
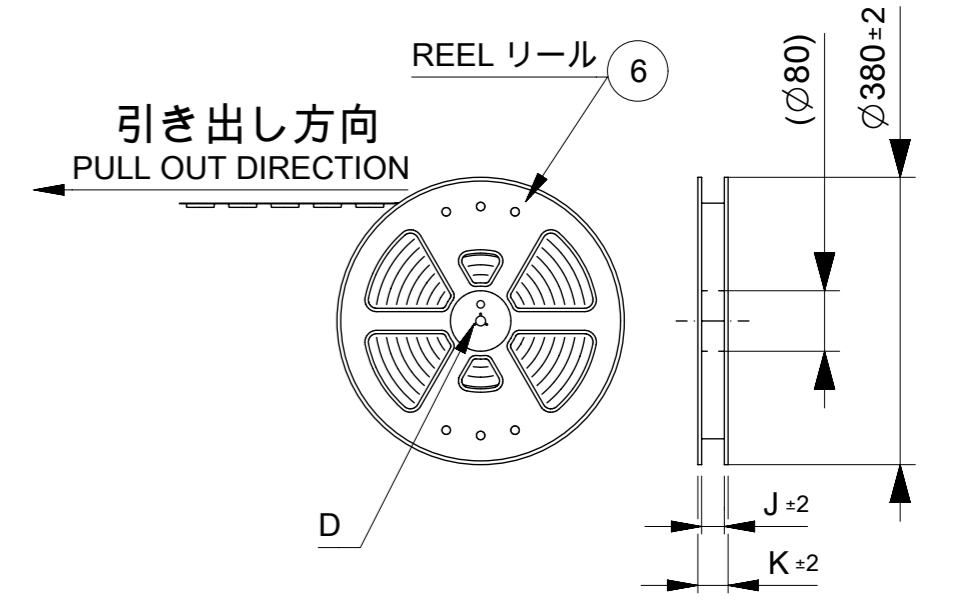
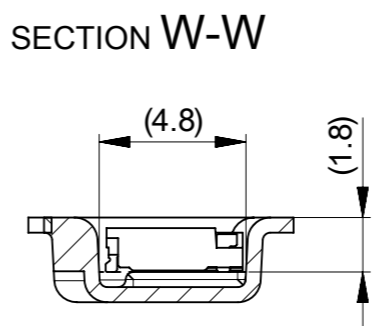
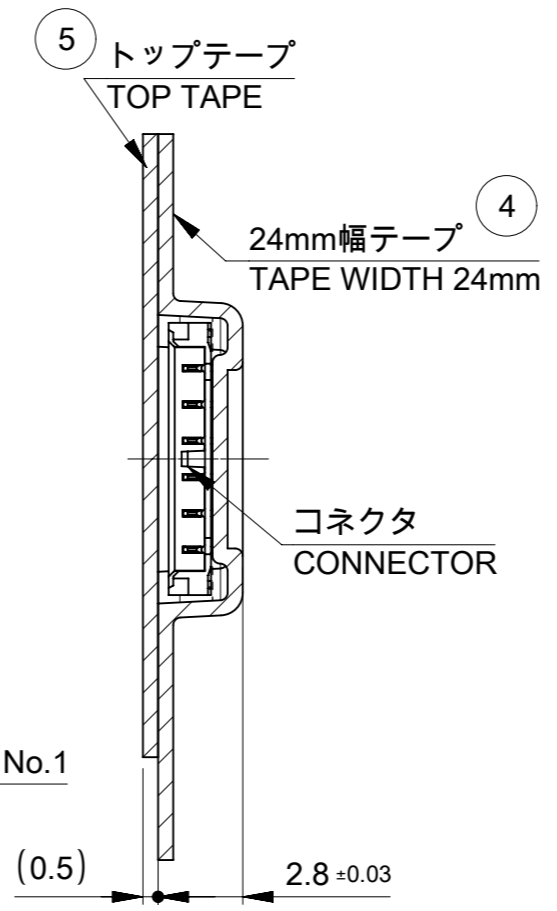
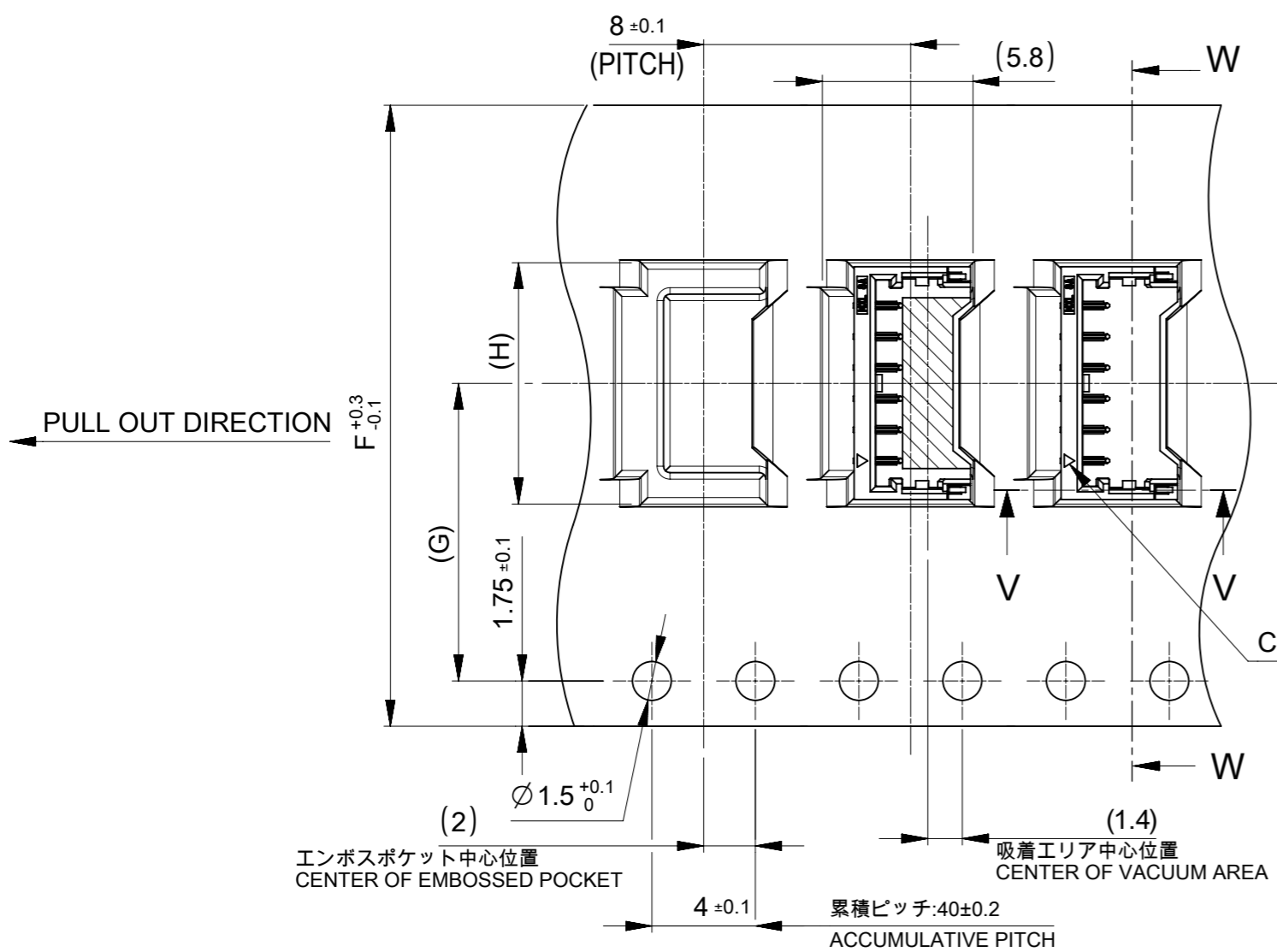


推奨吸着エリア  
(RECOMMENDED SUCTION AREA)

SECTION Z-Z

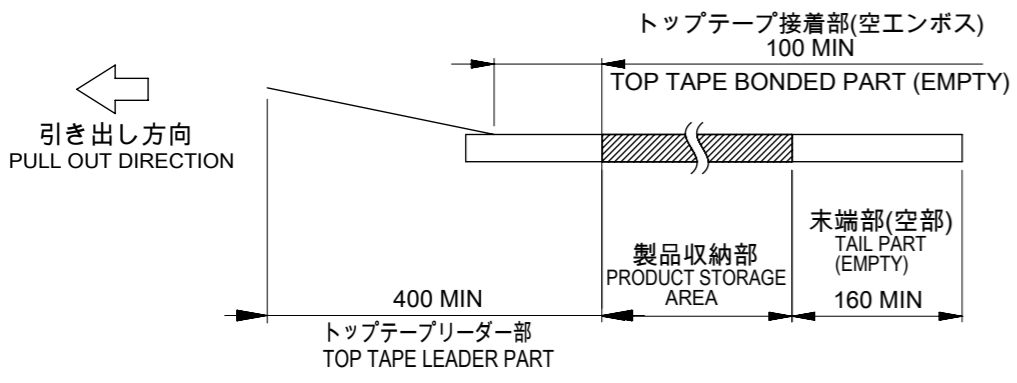
7.8	7
6.6	6
E	極数 CIRCUIT SIZE

THIS DRAWING CONTAINS INFORMATION THAT IS PROPRIETARY TO MOLEX ELECTRONIC TECHNOLOGIES, LLC AND SHOULD NOT BE USED WITHOUT WRITTEN PERMISSION									
DIMENSION UNITS		SCALE		CURRENT REV DESC: REVISE					
mm		NTS							
GENERAL TOLERANCES (UNLESS SPECIFIED)									
ANGULAR TOL ± 3.0°									
4 PLACES		± 0.2		EC NO: 772180		2023/12/04			
3 PLACES		± 0.2		DRWN: HHUSSIN		2023/12/19			
2 PLACES		± 0.2		CHK'D: SAKIYAMA		2023/12/20			
1 PLACE		± 0.2		APPR: AIDA					
0 PLACES		± 0.2		INITIAL REVISION:					
				DRWN: HHUSSIN		2020/09/30			
				APPR: AIDA		2022/06/07			
DRAFT WHERE APPLICABLE MUST REMAIN WITHIN DIMENSIONS				THIRD ANGLE PROJECTION		DRAWING		SERIES	
						A3-SIZE		78171	
DOCUMENT STATUS				P1		RELEASE DATE		2023/12/20 02:46:16	
DOCUMENT NUMBER				DOC TYPE		DOC PART		REVISION	
781710001-SD				PSD		000		B	
MATERIAL NUMBER				CUSTOMER		SHEET NUMBER			
SEE CHART				GENERAL		2 OF 3			



NOTES

- 10. 梱包数量 : 4500個/リール  
NUMBER OF CONNECTORS : 4500 PIECES/REEL
- 11. リードテープ長さ  
LEAD TAPE LENGTH



- 12. エンボステープおよびリールはEIA-481に準拠。  
TAPE AND REEL IS DEFINED BY EIA-481.
- 13. トップテープの剥離強度 : IEC60286-3に準拠。  
TOP TAPE PEELING FORCE: DEFINED BY IEC60286-3.
- 14. 梱包仕様書 : SPK-78171-002  
PACKAGING SPECIFICATION: SPK-78171-002
- 15. 本製品は乾燥材入り、ハイバリア梱包による納品となります。  
THIS IS EMBOSSED PACKAGE FOR HIGH BARRIER PACKAGE WITH DESICCANT.

29.4	25.4	10.5	11.5	24	7
		9.3			6
K	J	H	コネクタ中心位置G CENTER OF CONNECTOR	エンボステープ幅F WIDTH OF TAPE	極数 CIRCUIT SIZE

番号 NO.	部品 PART	材質 MATERIAL
4	エンボステープ EMBOSSED TAPE	ポリプロピレン(PP)、その他 POLYPROPYLENE(PP), etc
5	トップテープ TOP TAPE	ポリエチレン(PE)、その他 POLYETHYLENE(PE), etc
6	リール REEL	ポリスチレン(PS) <リサイクル材を含む> POLYSTYRENE(PS) <RECYCLE MATERIAL CONTAINED>

THIS DRAWING CONTAINS INFORMATION THAT IS PROPRIETARY TO MOLEX ELECTRONIC TECHNOLOGIES, LLC AND SHOULD NOT BE USED WITHOUT WRITTEN PERMISSION									
DIMENSION UNITS		SCALE		CURRENT REV DESC: REVISE					
mm		NTS							
GENERAL TOLERANCES (UNLESS SPECIFIED)									
ANGULAR TOL ± 3.0 °									
4 PLACES		± 0.2		EC NO: 772180					
3 PLACES		± 0.2		DRWN: HHUSSIN		2023/12/04			
2 PLACES		± 0.2		CHK'D: SAKIYAMA		2023/12/19			
1 PLACE		± 0.2		APPR: AIDA		2023/12/20			
0 PLACES		± 0.2		INITIAL REVISION:					
				DRWN: HHUSSIN		2020/09/30		DOCUMENT NUMBER	
				APPR: AIDA		2022/06/07		781710001-SD	
DRAFT WHERE APPLICABLE MUST REMAIN WITHIN DIMENSIONS		THIRD ANGLE PROJECTION		DRAWING		SERIES		MATERIAL NUMBER	
				A3-SIZE		78171		CUSTOMER	
								GENERAL	
								SHEET NUMBER	
								3 OF 3	