

Data sheet

Commercial Art.No.: 73.710.1553.0

Male insert HD STC 15 25

revos HD 15 pole + ground, male insert, 250V/10A, crimp connection



Commercial Art.No.	73.710.1553.0
EAN	4015573230286
Order Unit	10

Certificates / Approvals



Technical data

General

Model	Pin insert
Inflammability class of insulation material acc. with UL94	V2
Color	Grey
Mating cycles	50
Pollution degree	3
Modular version	No
Operating temperature range min.	-40 °C
Operating temperature range max.	120 °C

Connection Data

Connection type	Crimp
Number of poles	15
Plus switching contacts	0
Number of pole for rated current 2	0
Number of pole for rated current 3	0
Total number of poles (without ground contact)	15
With wire protection	No
Protective contact	yes

Technical Data UL/CSA

Rated voltage according to UL/CSA	600 V
Rated current according CSA	10 A
Min. conductor cross section flexible wire	0.2 mm ²
Max. conductor cross section flexible wire	1.5 mm ²

Conductor cross section flexible AWG wire	24-16 AWG
---	-----------

Model

With housing	No
--------------	----

Contacts

Contact material	See contacts
Surface	See contacts
Contact resistance	≤ 4 mOhm
Wire strip length	4 mm

Screws head design/recomm. Torque

Mounting screws	H1/0.5-0.7 Nm
Ground conductor screws	M3.5/0.8-1.0 Nm Slot

Technical Data DIN EN 61984

Nominal voltage	250 V
Rated voltage face/ground	250 V
Nominal current	10 A
Rated impulse voltage	4 kV

Classification

ECLASS 11	
ECLASS 8.1	27440205
ETIM 7.0	EC000438
ETIM 6.0	EC000438
ETIM 5.0	EC000438
ETIM 4.0	EC000438
ETIM 3.0	EC000438

Accessories

Commercial Art.No.:	Article-type description:	Description:
05.544.0929.0	Male contact 0,2-0,56 QMM	Male contact, stamped Ø 1,6 mm, 0,2-0,56 mm ² , AWG 24-20, Sn
05.544.1000.0	Male contact 0,5-1,5 QMM	Male contact, stamped Ø 1,6 mm, reel contacts, 0,75-1,5 mm ² , AWG 18-16, Sn
05.544.1029.0	Male contact 0,5-1,5 QMM	Male contact, stamped Ø 1,6 mm, 0,75-1,5 mm ² , AWG 18-16, Sn
05.544.1429.0	Male contact 0,5-1,5 QMM AU	Male contact, stamped Ø 1,6 mm, 0,5-1,5 mm ² , AWG 20-16, Au
05.544.1400.0	Male contact 0,5-1,5 QMM AU	Male contact, stamped Ø 1,6 mm, reel contacts, 0,5-1,5 mm ² , AWG 20-16, Au

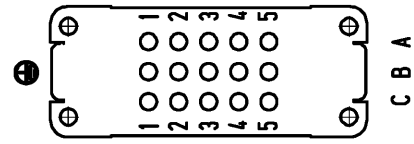
Fits with

Commercial Art.No.:	Article-type description:	Description:
73.700.1553.0	Female insert HD BUC 15 25	revos HD 15 pole + ground, female insert, 250V/10A, crimp connection
76.350.1535.0	Hood HD GOT GG 15 M20 50 A0	Hood revos HD made of aluminum, for single locking lever with cable gland M20 on the right side (IP54), low version, 15-poles
76.350.1535.2	Hood HD GOT GG 15 M20 50 A2	Hood revos HD made of aluminum, for single locking lever with nozzle M20 on the right side, low version, 15-poles

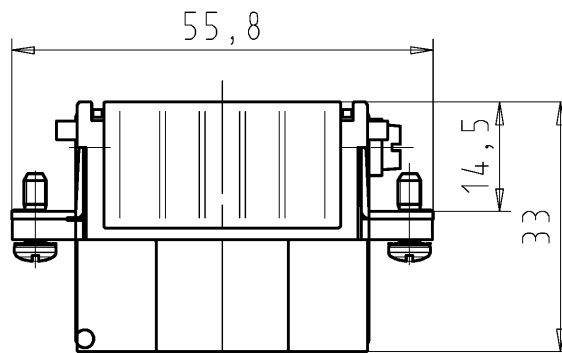
76.352.1535.0	Hood HD GOT GI 15 M20 50 A0	Hood revos HD made of aluminum, for single locking lever with cable gland M20 on the top (IP54), low version, 15-poles
76.352.1535.1	Hood HD GOT GI 15 M20 50 A1	Hood revos HD made of aluminum, for single locking lever with threaded hole M20 on the top, low version, 15-poles
76.353.1535.0	Hood HD GOT GG 15 M25 50 A0	Hood revos HD made of aluminum, for single locking lever with cable gland M25 on the right side (IP54), low version, 15-poles
76.353.1535.1	Hood HD GOT GG 15 M25 50 A1	Hood revos HD made of aluminum, for single locking lever with threaded hole M25 on the right side, low version, 15-poles
76.353.1535.2	Hood HD GOT GG 15 M25 50 A2	Hood revos HD made of aluminum, for single locking lever with nozzle M25 on the right side, low version, 15-poles
76.354.1535.0	Hood HD GOT GI 15 M25 50 A0	Hood revos HD made of aluminum, for single locking lever with cable gland M25 on the top (IP54), low version, 15-poles
76.354.1535.1	Hood HD GOT GI 15 M25 50 A1	Hood revos HD made of aluminum, for single locking lever with threaded hole M25 on the top, low version, 15-poles
76.372.1535.0	Hood HD GOT GL 15 M20 50 A0	Hood revos HD made of aluminum, with single locking lever and cable gland M20 on the top - free cable connection (IP54), low version, 15-poles
76.372.1535.1	Hood HD GOT GL 15 M20 50 A1	Hood revos HD made of aluminum, with single locking lever and threaded hole M20 on the top - free cable connection, low version, 15-poles
76.320.1528.0	Bottom HD GUT GK 15 50 A	Bottom-base revos HD made of aluminum, with double locking lever, open, low version, 15-poles
76.330.1535.0	Bottom HD GUT GL 15 M20 50 A0	Bottom-base revos HD made of aluminum, with single locking lever and cable gland M20 on the right and left side (IP54), low version, 15-poles
76.330.1535.1	Bottom HD GUT GL 15 M20 50 A1	Bottom-base revos HD made of aluminum, with single locking lever and threaded hole M20 on the right and left side, low version, 15-poles
76.331.1535.0	Bottom HD GUT GM 15 M20 50 A0	Bottom-base revos HD made of aluminum, with single locking lever and cable gland M20 on the left side (IP54), low version, 15-poles
76.331.1535.1	Bottom HD GUT GM 15 M20 50 A1	Bottom-base revos HD made of aluminum, with single locking lever and threaded hole M20 on the left side, low version, 15-poles
76.332.1535.1	Bottom HD GUT GN 15 M20 50 A1	Bottom-base revos HD made of aluminum, with single locking lever and threaded hole M20 on the right side, low version, 15-poles
76.334.1535.1	Bottom HD GUT GL 15 M25 50 A1	Bottom-base revos HD made of aluminum, with single locking lever and threaded hole M25 on the right and left side, low version, 15-poles
76.335.1535.0	Bottom HD GUT GM 15 M25 50 A0	Bottom-base revos HD made of aluminum, with single locking lever and cable gland M25 on the left side (IP54), low version, 15-poles
76.335.1535.1	Bottom HD GUT GM 15 M25 50 A1	Bottom-base revos HD made of aluminum, with single locking lever and threaded hole M25 on the left side, low version, 15-poles
76.425.1528.0	Bottom HD GUT MP 15 50 A	Bottom-base revos HD made of aluminum, with single locking lever and protective cover, open, low version, 15-poles
76.441.1535.0	Bottom HD GUT MS 15 M20 50 A0	Bottom-base revos HD made of aluminum, with single locking lever and cable gland M20 on the left side, with protective cover (IP54), low version, 15-poles
76.441.1535.1	Bottom HD GUT MS 15 M20 50 A1	Bottom-base revos HD made of aluminum, with single locking lever and threaded hole M20 on the left side, with protective cover, low version, 15-poles
76.442.1535.1	Bottom HD GUT MN 15 M20 50 A1	Bottom-base revos HD made of aluminum, with single locking lever and threaded hole M20 on the right side, low version, 15-poles
76.444.1535.0	Bottom HD GUT MR 15 M25 50 A0	Bottom-base revos HD made of aluminum, with single locking lever and cable gland M25 on the right and the left side, with protective cover (IP54), low version, 15-poles
76.444.1535.1	Bottom HD GUT MR 15 M25 50 A1	Bottom-base revos HD made of aluminum, with single locking lever and threaded hole M25 on the right and the left side, with protective cover, low version, 15-poles

76.445.1535.0	Bottom HD GUT MS 15 M25 50 A0	Bottom-base revos HD made of aluminum, with single locking lever and cable gland M25 on the left side, with protective cover (IP54), low version, 15-poles
---------------	-------------------------------	--

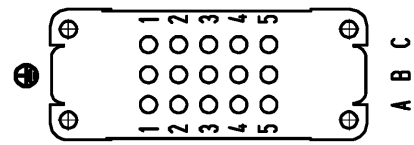
Polbelegung / pole assignment
Steckerseite / plug side
Steckereinsatz / plug insert



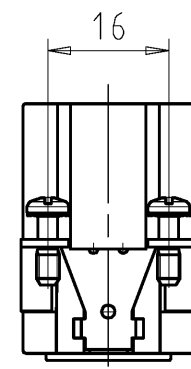
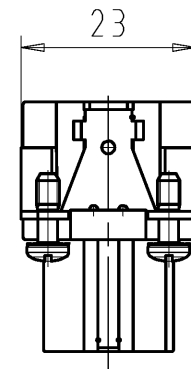
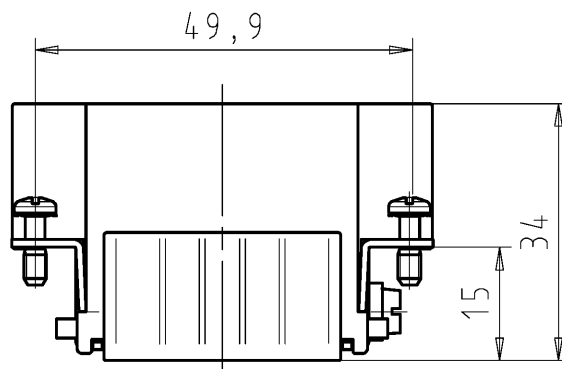
Steckereinsatz /
plug insert
73.710.1553.0



Polbelegung / pole assignment
Buchsen- / socket side
Buchsen- / socket insert



Buchsen- /
socket insert
73.700.1553.0



(a)

Weitere Daten siehe Katalog
further data see catalog

Tolerierung Size ISO 14405 (E) / Tolerance system Size ISO 14405 (E). (This ISO-standard describes the envelope principle. According to the envelope principle the deviations of form and parallelism are limited by the size tolerances).				ja/yes <input checked="" type="checkbox"/> Stoffverbots- und Deklarationsliste nach WN 5020.010 ist einzuhalten. Conformity with Wieland document WN 5020.010 e (list of prohibited / declarable hazardous substances) to be declared!			
Freitoleranz nach - General tolerance		CAD - Zeichnung, keine manuellen Änderungen CAD - drawing, no manual modifications allowed		1. Verwendung: - First Use:		Blatt: 1 von 1 Sheet: of 1	
/		Werkstoff/Material		2008 Tag/Date Name		Zeichnung Nr./Drawing No. Index	
/		Maßstab/Scale		gezeichnet drawn 06.02. Schmitt J.		T 73.700.1553.0 01K a	
/ 2:1		Maßstab/Scale		geprüft checked - -			
/ Vol. mm³		Of l./Surf. mm²		Normgepr. Stand. check - -		Maße in mm/Dimensions are in mm	
/		Ersatz für/Replacement for: -		Type		Benennung/Title	
a 16.09.2014/ Index Datum / Blatt Date / Sheet		wieland www.wieland-electric.com		Type		KONTAKTE INSATZ BUCHSENEINSATZ / STECKEREINSATZ SOCKET INSERT / PLUG INSERT	
Änderung/Revision							

Weitergabe sowie Vervielfältigung dieses Dokuments, Verwertung und Mitteilung seines Inhalts sind verboten, soweit nicht ausdrücklich gestattet. Die Reproduktion, Distribution und Utilization of this document as well as the communication of its contents to others without express authorization is prohibited.