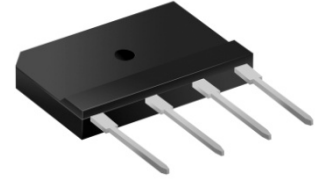


SuperPlanar™ Bridge Rectifiers

GBJ35J--GBJ35K

Features

- Planar passivated chips
- Ultra low leakage reverse current
- High temperature performance
- High surge current capability
- Ideal for printed circuit boards
- High temperature soldering guaranteed:260°C/10 seconds
- RoHS Compliant



Mechanical Data

- Case: GBJ molded plastic
- Molding compound, UL flammability classification rating 94V-0
- Terminals: Leads solderable per MIL-STD-750,
- Mounting position: Any

Maximum Ratings (@T_A = 25°C unless otherwise specified)

Characteristic		Symbol	GBJ35J	GBJ35K	Units
Peak repetitive reverse voltage		V _{RRM}	600	800	V
RMS reverse voltage		V _{RMS}	420	560	V
DC blocking voltage		V _{DC}	600	800	V
Maximum average forward output current		I _{F(AV)}	35		A
Peak forward surge current, 8.3ms single half-sine-wave	@T _J = 25°C	I _{FSM}	400		A
I ² t Rating for fusing	@T _J = 25°C	I ² t	664		A ² s

Thermal Characteristics

Parameter	Symbol	GBJ35J	GBJ35K	Units
Typical thermal resistance (Note 1,Note2)	R _{θJA} (2)	25.2		°C /W
	R _{θJC} (1)	1.5		
Operating junction temperature range	T _J	- 55 ---- + 150		°C
Storage temperature range	T _{STG}	- 55 ---- + 150		°C

Note:

- (1) Unit case mounted on 65mm x 50mm x2.4mm aluminum plate heatsink
- (2) Units mounted on PCB without heatsink

SuperPlanar™ Bridge Rectifiers
GBJ35J--GBJ35K
Electrical Characteristics (@T_A = 25°C unless otherwise specified)

Parameter	Symbol	Test conditions		Typ.	Max.	Units
Maximum instantaneous forward voltage	V _F	I _F =17.5A Per Diode		--	0.98	V
		I _F =35A Per Diode		0.99	1.1	
Maximum Reverse current	I _R	Rated V _R , Per Diode	@T _A =25°C	0.3	2	μA
			@T _A =150°C	220	800	

SuperPlanar™ Bridge Rectifiers

GBJ35J--GBJ35K

Fig.1-Forward Current Derating Curve

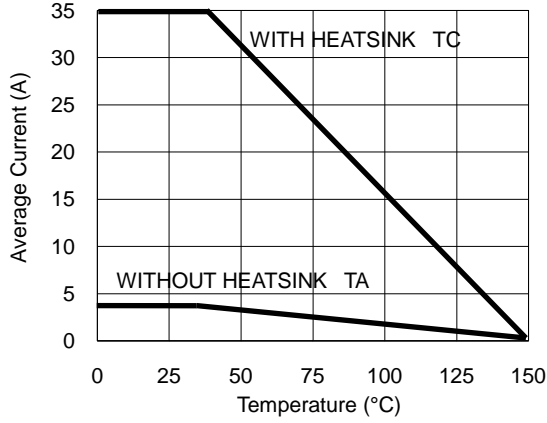


Fig.2- Surge Current Derating Curve

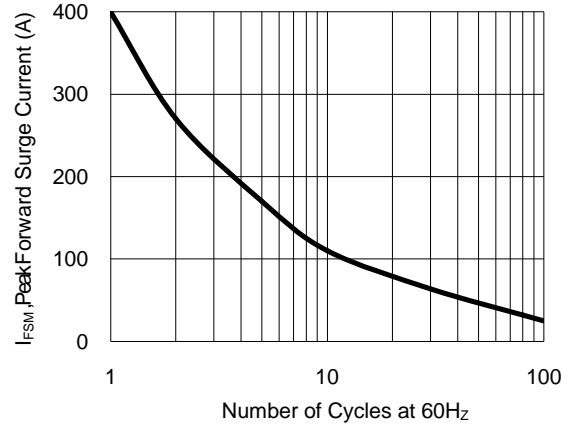


Fig.3- Typical Forward Voltage Characteristic

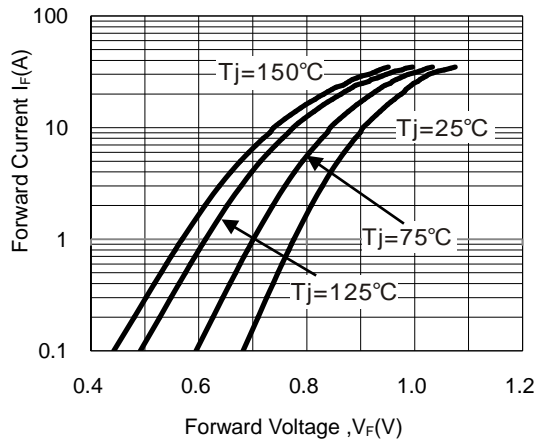
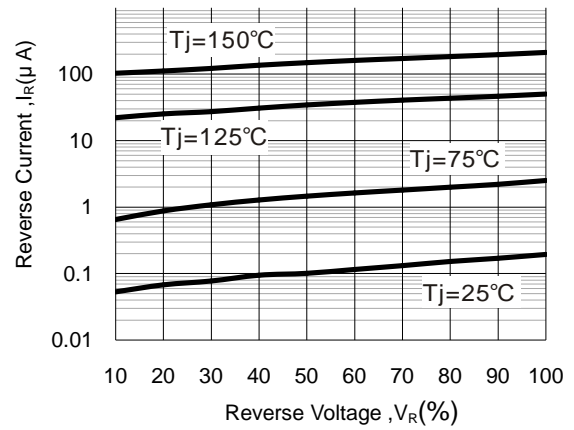


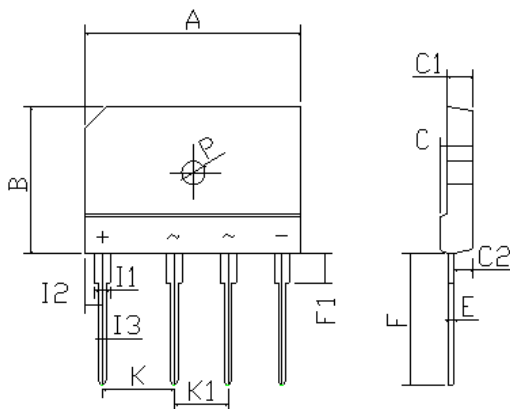
Fig.4- Typical Reverse Characteristic



SuperPlanar™ Bridge Rectifiers

GBJ35J--GBJ35K

Package Outline Dimensions(unit:mm)



GBJ		
Dim	Min	Max
A	29.8	30.2
B	19.8	20.2
C	4.4	4.8
C1	3.4	3.8
C2	2.5	2.9
E	0.7typ	
F	17.2	17.8
F1	3.8	4.2
I1	1.8	2.3
I2	2.2	2.8
I3	1	1.4
K	9.7	10.3
K1	7.2	7.8
P	Ø3.2Typical	
All Dimensions in mm		

Ordering Information

Part No.	Marking	Package	Shipping
GBJ35J	GBJ35J	GBJ	500/unit&Box
GBJ35K	GBJ35K	GBJ	500/unit&Box