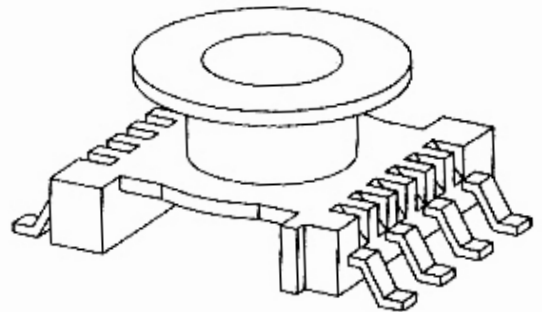
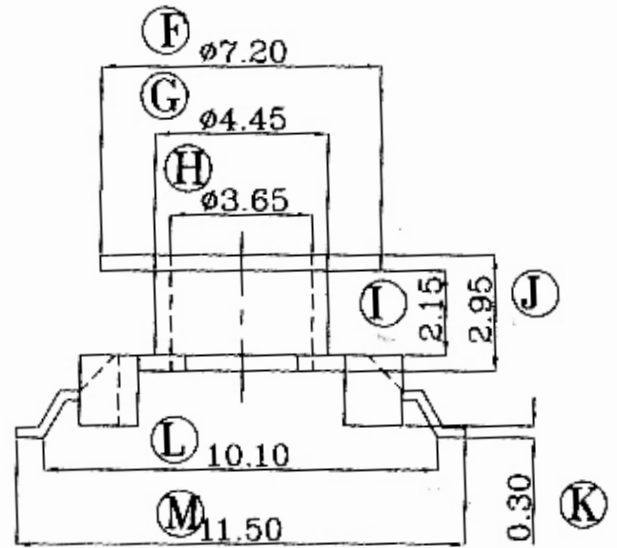
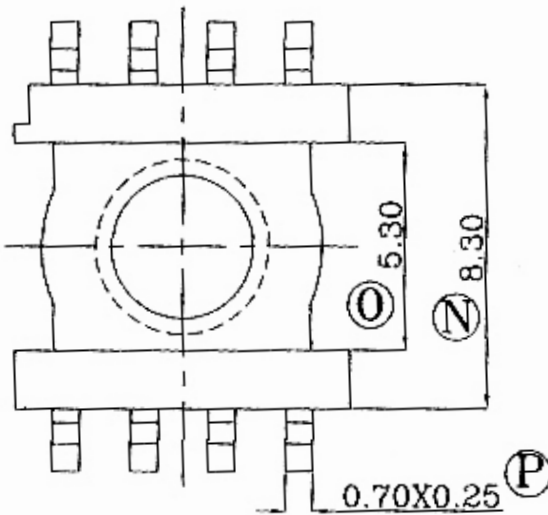
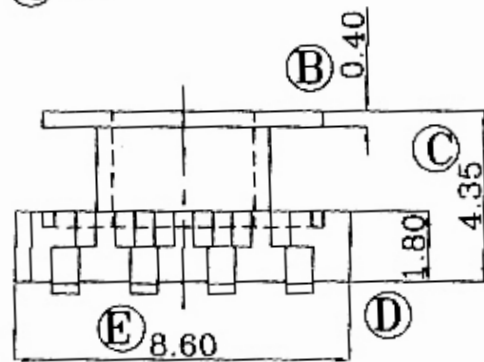
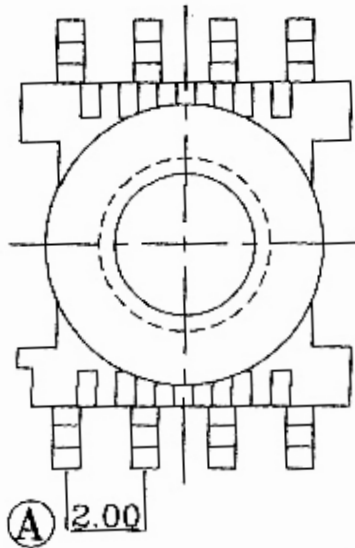


ISSUE	DESCRIPTION	DATE
A	RELEASE FOR QUOTATION	07.06.11



MODEL:	ER-9.5(8PIN)	UNIT:	MM	
MATERIAL:	LCPE-4008	SCALE:	3/1	
DRWN BY:	罗明安	07.06.11	UL REC:	94V-0
CHECK BY:	余相梅	07.06.11	TOLERANCE	
APPROVED:	洪晓瑜	07.06.11	0<L<6:±0.10 6<L<20:±0.20 20<L<50:±0.30 50<L:±0.40	PIN PITCH:±0.2 THICKNESS±0.15 ANGLE:±1° PINDIM: ±0.05