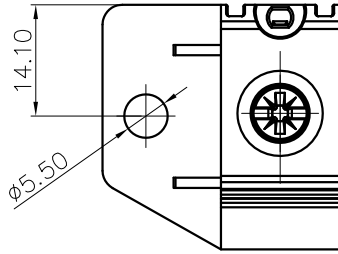


REVISION RECORD				
REV	ECN	DESCRIPTION	DRFT	DATE



NOTES1:

UL Standard

- 1.Rated voltage/current : 600V / 115A
- 2.Torque value : M5, 17.54Lb.in
- 3.Wire range : 20~2AWG

IEC Standard

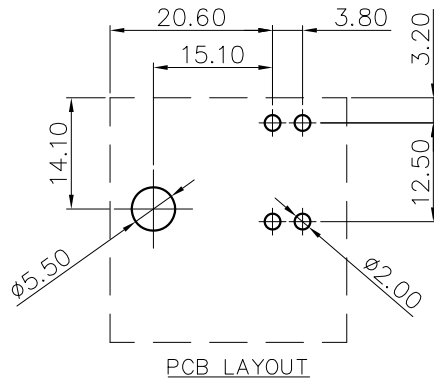
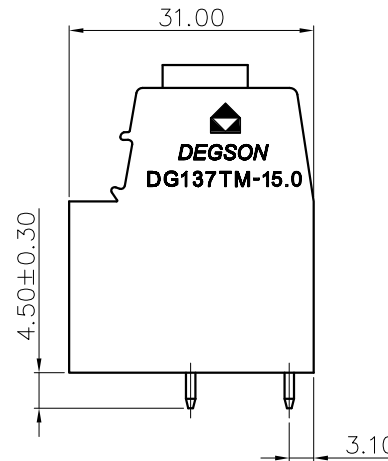
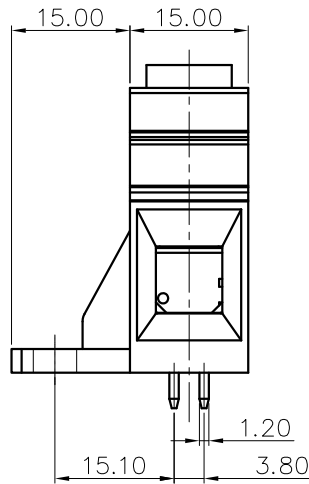
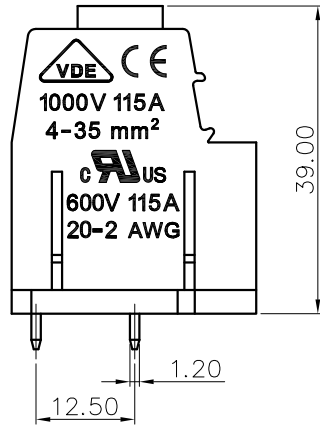
- 1.Rated voltage/current : 1000V / 115A
- 2.Torque value : M5 , 2.0N·m
- 3.Wire range : 4~35mm<sup>2</sup>

NOTES2:

- 1.Dimension shall be interpreted per ASME Y14.5-2009
- 2.Pitch : 15.0mm, Poles : 01P
- 3.Stripping length : 18~19mm
- 4.Withstanding voltage : AC3500V/1Min
- 5.Operating temperature: -40°C~+105°C
- 6.Undimensioned tolerances:

Pitch range in mm		Nominal dimension range in mm				Tolerances		
TO	Over TO	Over TO	TO	Over TO	Over TO	Over TO	0.1/10	
6	10	10	24	30	60	100	150	±0.15
±0.15	±0.20	±0.30	±0.30	±0.50	±0.70	±1.00	±1.30	±2"

7.RoHS Compliance



DG137TM - 15.0 - 01P - 1Y - 10A (H)  
 (Series No.) (Pitch) (Poles) (Single Pitch) (Color):1.(Grey)2.(Blue)3.(Black)4.(Green)5.(Orange)6.(Red)7.(Transparent)8.(Yellow)9.(White)  
 (RoHS)  
 10A-(Customer Request)

DETACHED LISTS	PART NO.:	NINGBO DEGSON ELECTRICAL CO., LTD			
	APPD:	NAME: DG137TM-15.0-01P-1Y-10A(H)			
	CHKD:	TITLE: CUSTOMER DRAWING		REV	DO
	DRFT:	DRAWING NO.:		SHEET	1/1
THIRD ANGLE PROJECTION		MM (INCH)	DO NOT SCALE DRAWING	SCALE	1:1