

VECO VANSONIC ENTERPRISE CO., LTD.

8F., No. 7, Lane 16, Sec. 2, Szechwan Road, Panchiao, Taipei Hsien, TAIWAN.

TEL: +886-2-29626335

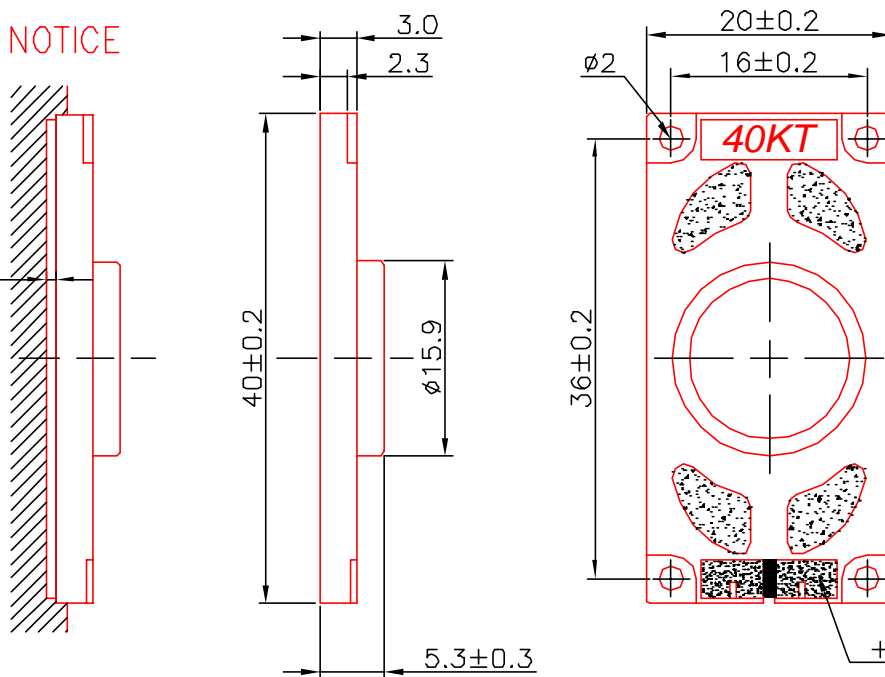
FAX: +886-2-29625220

E-MAIL: VANSONIC@MS4.HINET.NET

1.	MODEL:	40KT08-E50ND			
2.	Dimension	Outer Diameter 40X20 mm.			
		Height	Refer to Drawing.	Weight	4.4 Grams.
3.	Magnet	Materials	Rare Earth	Size	ϕ 9.5X1.5 mm.
4.	Nominal Impedance	8	\pm 15 %	At	1200 Hz.
5.	Power Rating	Normal	500 mW.	Maximum	1000 mW.
6.	Lowest Resonant Frequency	500	\pm 20 %		Hz.
7.	Output Sound Pressure Lever (S.P.L.)	85 \pm 3 db / 0.5 Watt . 0.5 Meter.			
		Average at	800,	1000,	1200, 1500 Hz.
8.	Frequency Range	300	~	20000 Hz.	Average SPL - 10 db.
9.	Distortion	5 %	Maximum At	1000 Hz.	500 mW.
10.	Abnormal Sound Test	Must be Normal Tested By		2.0 Volts.	Sine Wave.
11.	Load Test	White Noise with Weighted Filter		2.0 Volts.(RMS)	24 Hrs.
12.	Polarity	Diaphragm shall move Forward when Apply a Positive DC.			
		Current to the "+" or "Marked" Terminal.			

MOUNTING NOTICE

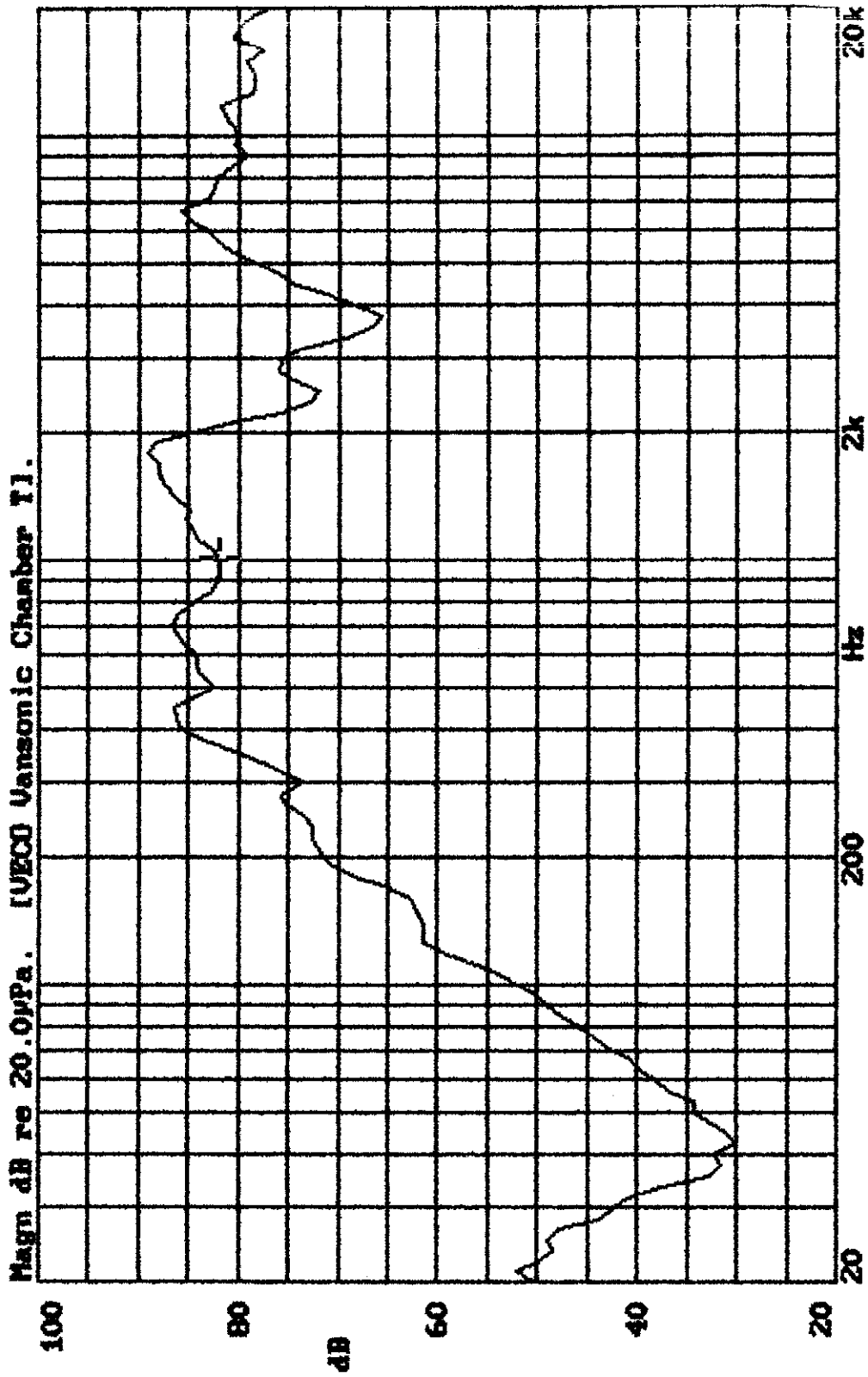
AT LEAST
0.7mm
FOR
DIAPHRAM
MOVING



Unit : mm

Housing Material : ABS+20%FG

40K708-E50ND VOL:2.00X(0.5M) DIS:0.5M VANSONIC
X:1.0000kHz *Y:81.94dB ZA:Live Curve SSR Fund.



24-MAY-2001 14:29:03

Mode: SPEAKER

