

### Features

- IEEE 802.3 Ethernet compatible
- Dual channel 16-pin SMD
- Wide operating temperature range: -40 to +85 °C
- RoHS compliant\*

### Applications

- Ethernet

## PT61018PEL - LAN 10/100 Base-Tx

### Electrical Specifications @ 25 °C

Inductance - OCL  
 ..... 350  $\mu$ H min. @ 100 KHz,  
 0.1 Vrms, 8 mA DC Bias

Turns Ratio ( $\pm 5\%$ ) ..... 1CT\*:1CT\*

DCR..... 1.2  $\Omega$  max.

Insertion Loss  
 1-100 MHz ..... -1.15 dB max.

Return Loss  
 1-30 MHz ..... -18 dB min.  
 30-60 MHz ..... -13 dB min.  
 60-80 MHz ..... -12 dB min.

Common Mode Rejection  
 1-60 MHz ..... -37 dB Min.  
 60-100 MHz ..... -28 dB Min.

Crosstalk  
 1-60 MHz ..... -40 dB Min.  
 60-100 MHz ..... -35 dB Min.

Hipot  
 @1 mA, 2 sec. .... 1.5K Vrms

Operating Temperature ..... -40 to +85 °C

Storage Temperature..... -40 to +85 °C

\*CT: Center tap

### Material

Termination..... Tin

### Packaging Specifications

Tape & Reel..... 600 pcs./reel

### How To Order

**PT61018 P E L**

Model \_\_\_\_\_

Construction \_\_\_\_\_  
 P = Potted

Packaging \_\_\_\_\_  
 E = Tape and Reel (600 pcs./reel)

Termination \_\_\_\_\_  
 L = Tin only (RoHS Compliant)



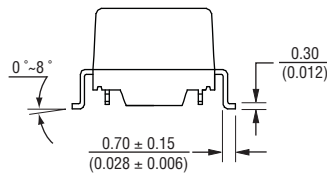
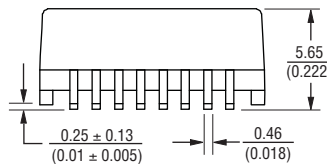
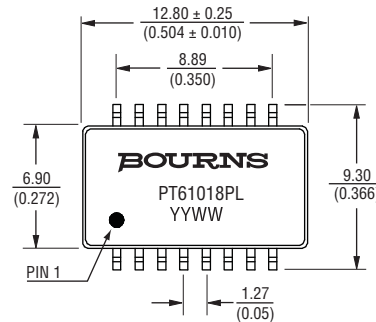
**Asia-Pacific:**  
 Tel: +886-2 2562-4117  
 Fax: +886-2 2562-4116

**EMEA:**  
 Tel: +36 88 520 390  
 Fax: +36 88 520 211

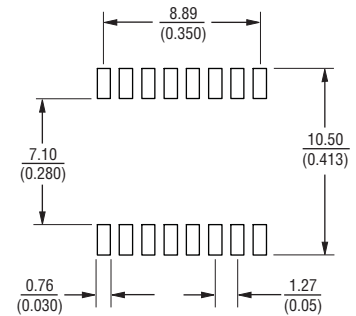
**The Americas:**  
 Tel: +1-951 781-5500  
 Fax: +1-951 781-5700

[www.bourns.com](http://www.bourns.com)

### Product Dimensions



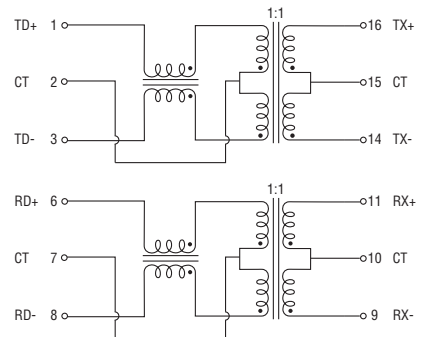
### Recommended Layout



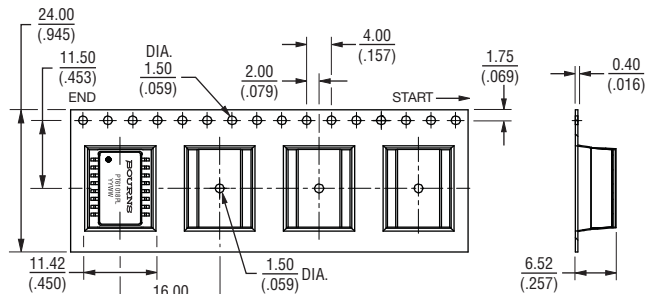
DIMENSIONS:  $\frac{\text{MM}}{\text{INCHES}}$

TOLERANCES:  $\frac{0.05}{(0.002)}$  UNLESS OTHERWISE NOTED

### Electrical Schematic



### Packaging Specifications



USER DIRECTION OF FEED  
 600 PCS. PER REEL

DIMENSIONS:  $\frac{\text{MM}}{\text{INCHES}}$

TOLERANCES:  $\frac{0.10}{(0.004)}$