

Data sheet

Commercial Art.No.: 96.031.4554.3

Connector RST25I3S B1 ZR3SV BG03

RST25i3 connector, 3 pole, screw connection, application 250V with PE, 25A, for cable diameters 13-18mm, coding color concrete grey, color of housing black



Commercial Art.No.	96.031.4554.3
EAN	4015573891210
Order Unit	1

Certificates / Approvals



Technical data

General

Rated current	25 A
Rated voltage	250 V
Rated impulse voltage	4 kV
strain relief	yes
Pollution degree	3
Lockable	self-locking (unlocking by tool)
Color of coding/ contact carrier	concrete grey
Marking of poles	L, N, PE
Color of housing inclusive strain relief	black

Connection Data

Cable diameter max.	18 mm
Cable diameter min.	13 mm
Connection cross section solid mm ² max.	6 mm ²
Connection cross section solid mm ² min.	0.75 mm ²
Connection cross section solid AWG min.	16 AWG
Connection cross section solid AWG max.	10 AWG
Connection cross section fine stranded mm ² max.	6 mm ²
Connection cross section fine stranded mm ² min.	0.75 mm ²
Terminations per pole	1
Connection cross section stranded AWG min.	16 AWG
Connection cross section stranded AWG max.	10 AWG
sheath strip length	37 mm
Wire strip length	8 mm

Model

Model	female
-------	--------

Connection type	screw connection
Degree of protection (IP)	IP66/68 (3m;2h) /IP69

Material

Housing material	Polyamide
halogen free	yes
Contact material	CuZn
Fire load	0.369 kWh
Insulation components continuous temperature	100 °C
Surface finish	Silver-plated

Dimensions

Length	96 mm
Width	35.4 mm
Height	35.4 mm

Classification

ECLASS 11	
ECLASS 8.1	27440605
ETIM 7.0	EC002560
ETIM 6.0	EC002560
ETIM 5.0	EC002560
ETIM 4.0	EC002560

Note

Note	RST® terminals with screw clamping allow the connection of conductors without special preparation (without ferrules) according to EN 60999-1.; Rated current up to 32 A with cross section 6 mm ²
------	--

Product compliance

ROHS conformity status	Compliant/Exempted
ROHS exceptions	III-6(c)
REACH-SVHC conformity status	Duty-To-Declare
REACH-SVHC substances	Lead
REACH-SVHC CAS numbers	7439-92-1

Fits with

Commercial Art.No.:	Article-type description:	Description:
96.834.1000.3	Cable assembly RST25i3KSBS 40P 10BG03	RST25i3 extension cable female - male, 3 pole, assembled with screw connection, application 250V with PE, 25A, cable type H05VV-F, length 1.0m, cross section 4.0mm ² , coding color concrete grey
96.032.4554.3	Connector RST25i3S S1 ZR3SV BG03	RST25i3 connector, 3 pole, screw connection, application 250V with PE, 25A, for cable diameters 13-18mm, coding color concrete grey, color of housing black
96.032.5054.3	Device connector RST25i3S S1 M01V BG03	RST25i3 device connector M25, 3 pole, male, screw connection, application 250V with PE, 25A, coding color concrete grey
96.032.6054.3	Device connector RST25i3S S1 M00V BG03	RST25i3 device connector M20, 3 pole, male, screw connection, modular, application 250V with PE, 25A, coding color concrete grey, color of housing black

96.032.6154.3	Device connector RST25I3S S1 M03V BG03	RST25i3 device connector M16, 3 pole, male, screw connection, modular, application 250V with PE, 25A, coding color concrete grey, color of housing black
96.034.6054.3	Device connector RST25I3S S1 M90V BG03	RST25i3 device connector (90° angled) M20, 3 pole, male, screw connection, modular, application 250V with PE, 25A, coding color concrete grey, color of housing black

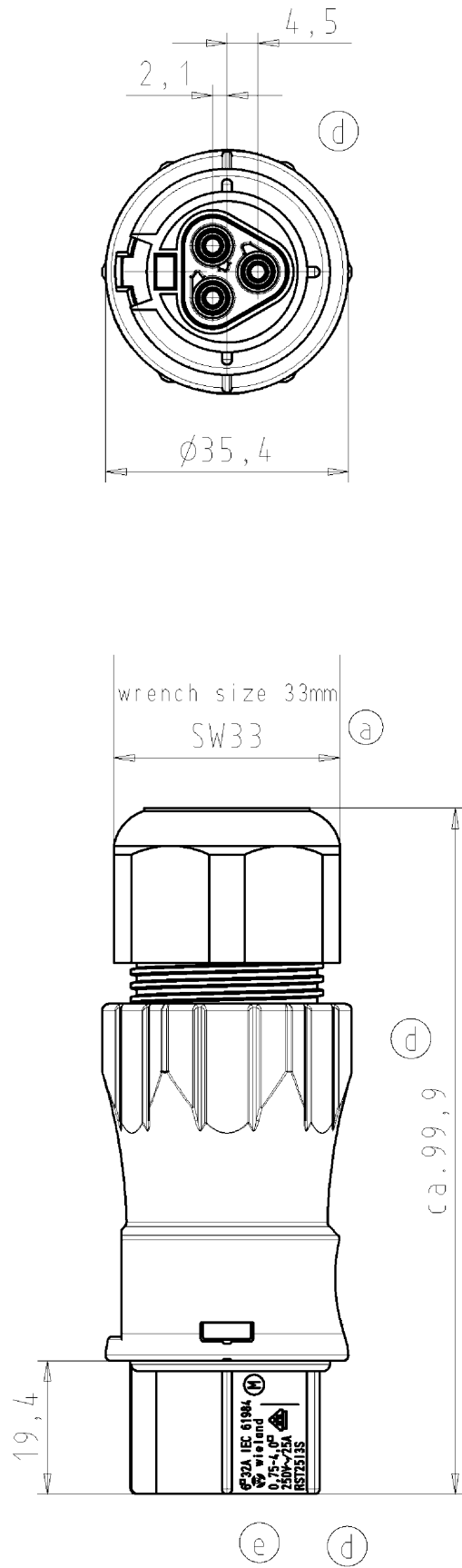
These dimensions will be especially checked at delivery
 Only inspection dimensions
 With /E marked dimensions are only valid for internal use

Diese Maße werden bei Abnahme besonders geprüft
 Ausschließliche Prüfmaße
 Mit /E gekennzeichnete Maße sind nur für interne Zwecke gültig

○

E

F



Auslieferungszustand delivery status

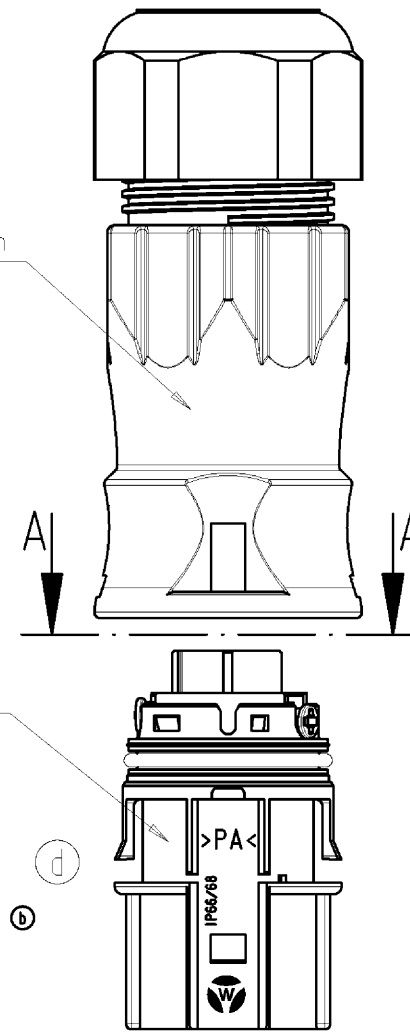
cable diameter 14-18mm
 für Kabeldurchm. 14-18mm

color: black,
 similar to RAL 9005
 Farbe: schwarz,
 ähnl. RAL 9005

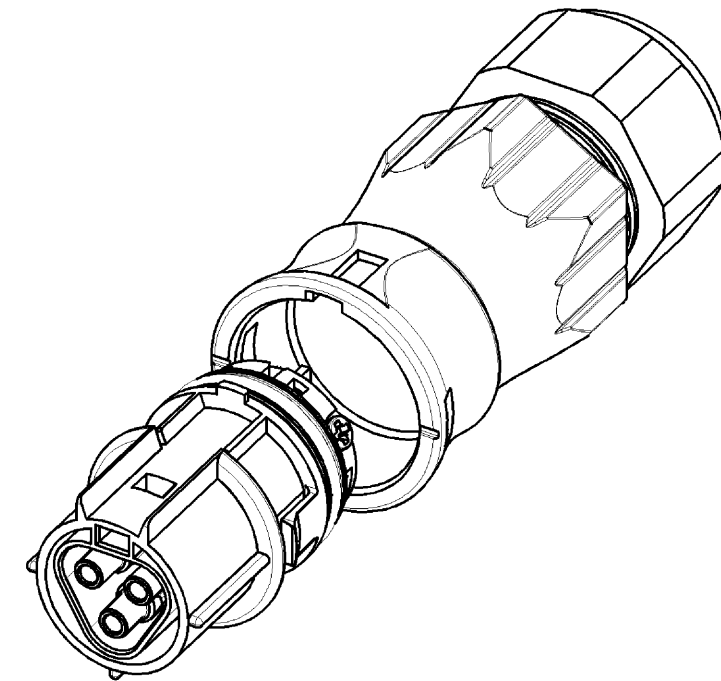
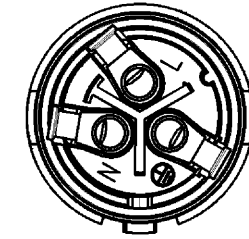
color: concrete grey,
 similar to RAL 7023

Farbe: betongrau,
 ähnl. RAL 7023

Verpackungseinheit: je 100 Stück
 packaging unit: per 100



A-A



Type: RST2513S B1 ZR3SV GR03

Tolerierung Size ISO 14405 (E) / Tolerance system Size ISO 14405 (E). (This ISO-standard describes the envelope principle. According to the envelope principle the deviations of form and parallelism are limited by the size tolerances).		nein/no <input checked="" type="checkbox"/> Stoffverbots- und Deklarationsliste nach UU-TOM-05/03 ist einzuhalten. Conformity with Wieland document UU-TOM-05/03 (list of prohibited / declarable hazardous substances) to be declared!	
Freitoleranz nach General tolerance		CAD - Zeichnung, keine manuellen Änderungen CAD - drawing, no manual modifications allowed	
1. Verwendung: First Use:		Blatt: 1 von 1 Sheet: 1 of 1	
Zeichnung Nr./Drawing No.		Index	
96.031.4554.3 01K		e	
Maße in mm/Dimensions are in mm			
Ersatz für/Replacement for: -		Type	
Benennung/Titel		BUCHSENTE IL MIT ZUGENTLASTUNG	
female connector with cord grip		Schraubanschluss ohne Drahtschutz/screw-connection without wire protection	
Änderung/Revision		wieland Elektrische Verbindungen	
Index Datum / Blatt Date / Sheet		2006 Tag/Date Name gezeichnet drawn 02.02. Kneitz geprüft checked - - Normgepr. Stand. check - -	
e 19.03.2013/ Maßstab/Scale 1:1		c 23.02.2012/ Vol. mm ³ Ofl./Surf. mm ³	
d 20.06.2012/ 1:1		b 12.09.2006/ a 21.02.2006/ Index Datum / Blatt Date / Sheet	

Weitergabe sowie Vervielfältigung dieses Dokuments, Verwertung und Mitteilung seines Inhalts sind verboten, soweit nicht ausdrücklich gestattet. Die Reproduktion, Distribution und Nutzung dieses Dokuments sowie die Kommunikation der Inhalte ist ohne ausdrückliche Genehmigung der Wieland-Werke AG ausdrücklich untersagt.

960314554301K_2_CADW3025 Filter 2013-03-19T10:16:24 1.000