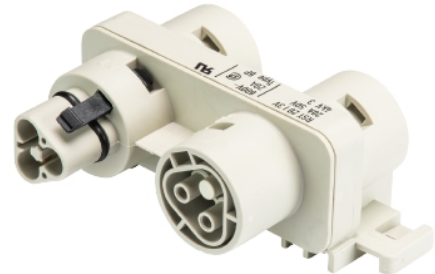


## Data sheet

Commercial Art.No.: 96.020.0150.8

Distributor RST20I2V 3P1 F V L KG0

RST20i3/2 distribution block, 2 pole, application ~50V/-120V, 20A, 1 input and 3 outputs, with fastening option, coding color pebble grey, color of housing pebble grey



Commercial Art.No.	96.020.0150.8
EAN	4015573959064
Order Unit	1

Certificates / Approvals



LR

RINA



## Technical data

### General

Rated current	20 A
Rated voltage	50 V / 120 V
Rated impulse voltage	4 kV
Pollution degree	3
Lockable	self-locking (unlocking by tool)
Color of coding/ contact carrier	pebble grey
Marking of poles	+, -

### Model

Number of inputs	1
Number of outputs	3
Type of fastening	yes
Degree of protection (IP)	IP66/68 (3m;2h) /IP69
Type of distributor	Distribution block

### Material

Housing material	Polyamide
halogen free	yes
Contact material	CuZn
Fire load	0.224 kWh
Insulation components continuous temperature	100 °C
Surface finish	Silver-plated

### Dimensions

Length	55.5 mm
--------	---------

Width	85.8 mm
Height	31.3 mm

#### Classification

ECLASS 11	
ECLASS 8.1	27440603
ETIM 7.0	EC002567
ETIM 6.0	EC002567
ETIM 5.0	EC002567
ETIM 4.0	EC002567

#### Product compliance

ROHS conformity status	Compliant/Exempted
ROHS exceptions	III-6(c)
REACH-SVHC conformity status	Duty-To-Declare
REACH-SVHC substances	Lead
REACH-SVHC CAS numbers	7439-92-1

#### Accessories

Commercial Art.No.:	Article-type description:	Description:
05.564.4453.1	Cover for male connector SW	RST20i3/2 cover piece, for covering unused male connectors, color black
99.414.6205.2	Cover for female connector SW	RST20i3/2 cover piece, for covering unused female connectors, with fastening belt, color schwarz
99.416.6205.2	Cover for male connector SW	RST20i3/2 cover piece, for covering unused male connectors, with fastening belt, color black
Z5.564.4553.1	Cover for female connector SW	RST20i3/2 cover piece, for covering unused female connectors, color black

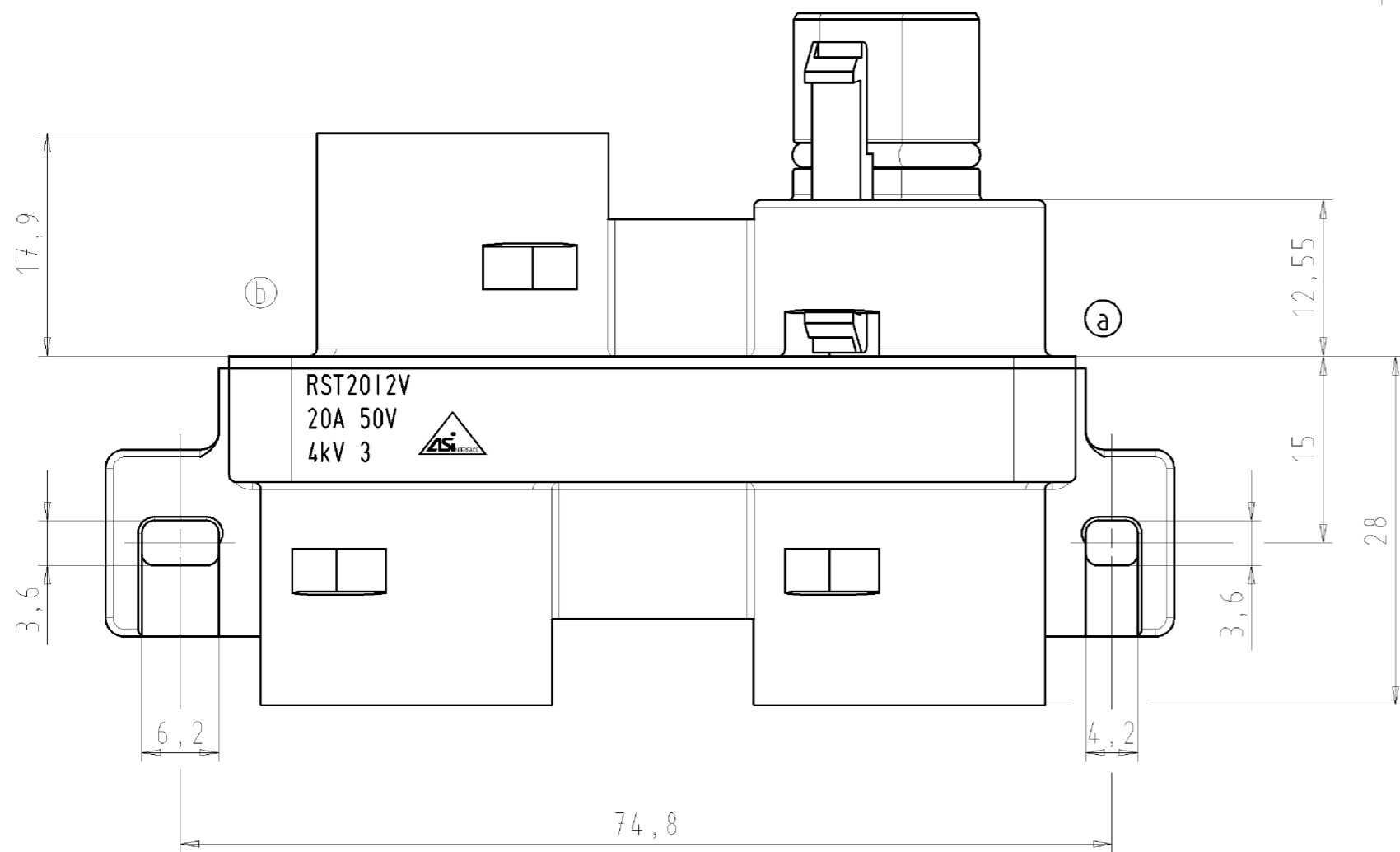
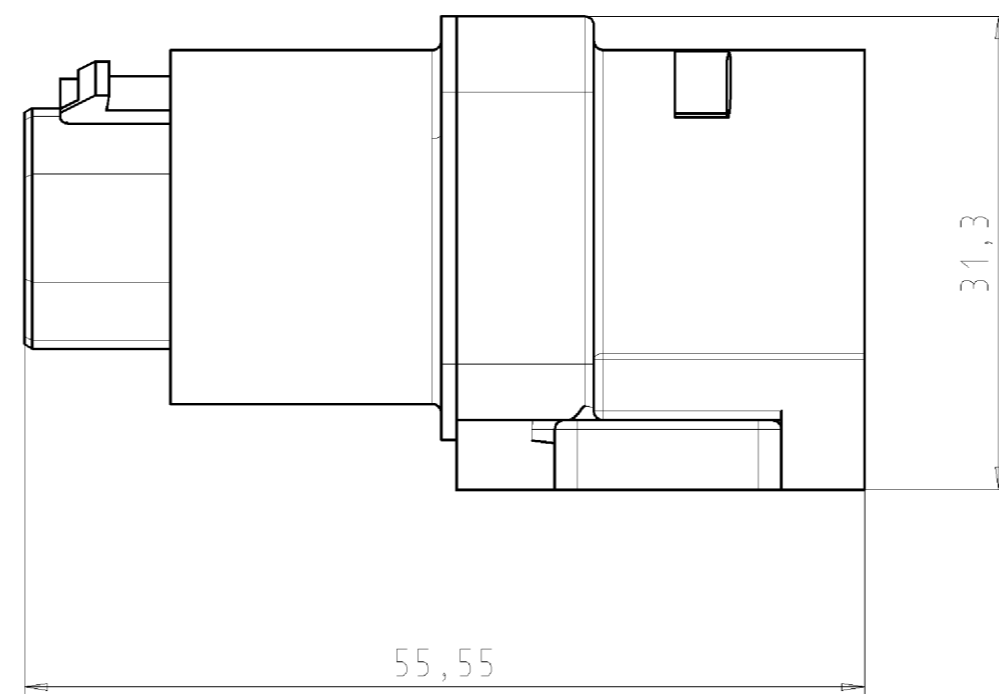
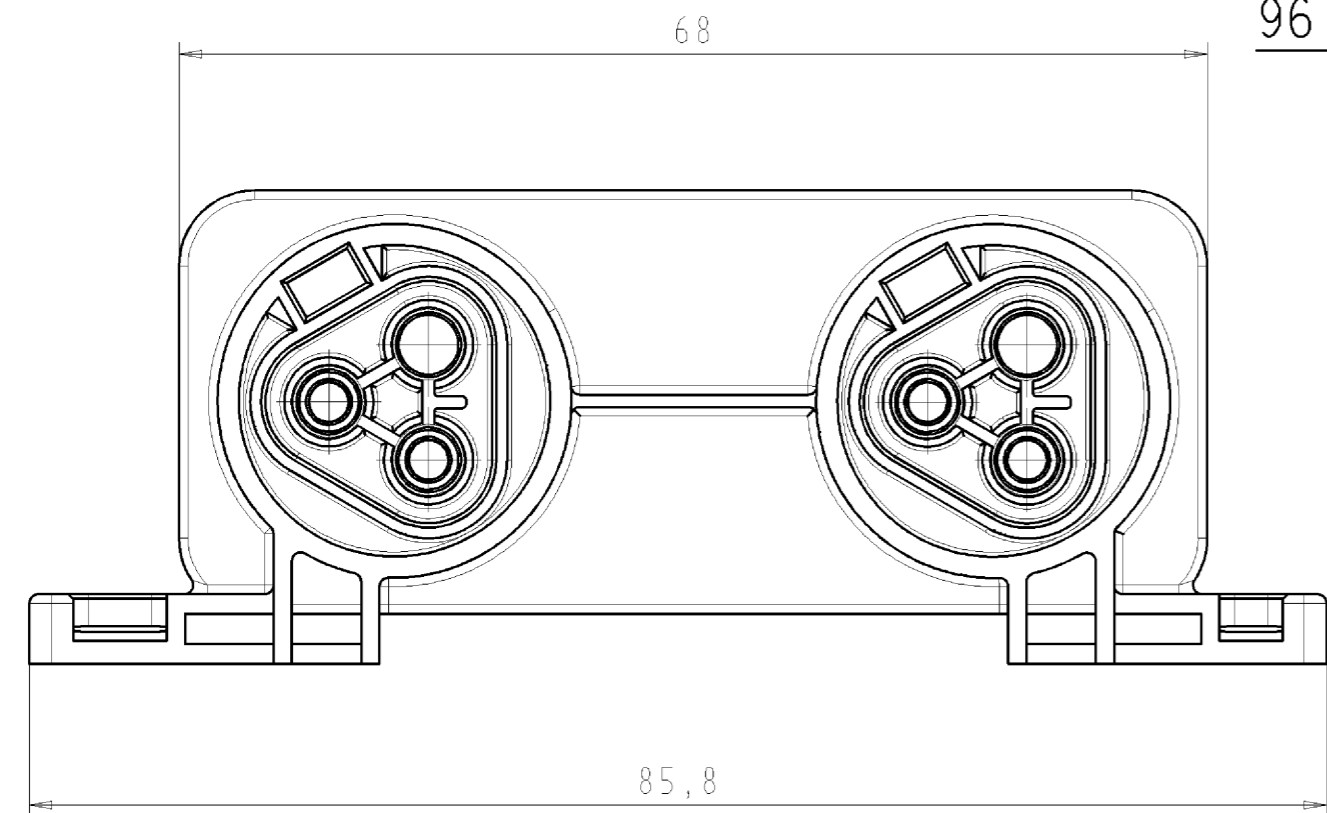
#### Fits with

Commercial Art.No.:	Article-type description:	Description:
96.021.0050.8	Connector RST20I2F B23ZR1S L KG0	RST20i3/2 connector, 2 pole, female, spring clamp connection, application ~50V/-120V, 20A, for cable diameters 6-10mm, coding color pebble grey, color of housing black
96.022.0050.8	Connector RST20I2F S23ZR1SVL KG0	RST20i3/2 connector, 2 pole, male, spring clamp connection, application ~50V/-120V, 20A, for cable diameters 6-10mm, coding color pebble grey, color of housing black
96.021.4050.8	Connector RST20I2S B13ZR1S L KG0	RST20i3/2 connector, 2 pole, female, screw connection, application ~50V/-120V, 20A, for cable diameters 6-10mm, coding color pebble grey, color of housing black
96.022.4050.8	Connector RST20I2S S13ZR1SVL KG0	RST20i3/2 connector, 2 pole, male, screw connection, application ~50V/-120V, 20A, for cable diameters 6-10mm, coding color pebble grey, color of housing black
96.021.0150.8	Connector RST20I2F B23ZR2S L KG06	RST20i3/2 connector, 2 pole, female, spring clamp connection, application ~50V/-120V, 20A, for cable diameters 10-14mm, coding color pebble grey, color of housing black
96.022.0150.8	Connector RST20I2F S23ZR2SVL KG06	RST20i3/2 connector, 2 pole, male, spring clamp connection, application ~50V/-120V, 20A, for cable diameters 10-14mm, coding color pebble grey, color of housing black

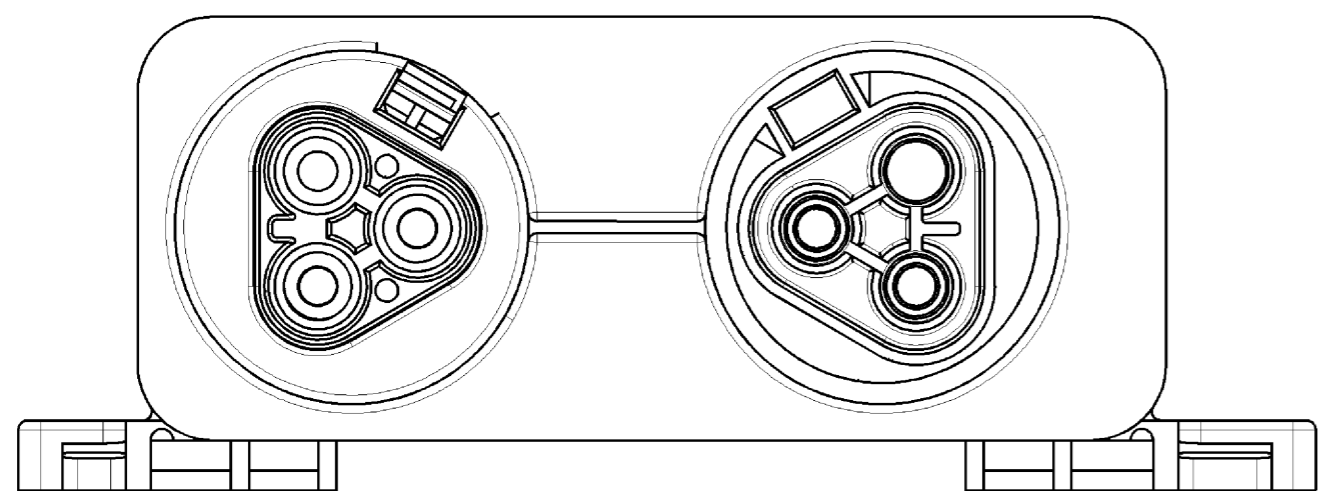
96.021.4150.8	Connector RST20I2S B13ZR2S L KG06	RST20i3/2 connector, 2 pole, female, screw connection, application ~50V/-120V, 20A, for cable diameters 10-14mm, coding color pebble grey, color of housing black
96.022.4150.8	Connector RST20I2S S13ZR2SVL KG06	RST20i3/2 connector, 2 pole, male, screw connection, application ~50V/-120V, 20A, for cable diameters 10-14mm, coding color pebble grey, color of housing black
96.021.4950.8	Connector RST20I2S B13ZASS L KG0	RST20i3/2 connector, 2 pole, female, screw connection, application ~50V/-120V, 20A, for AS-i-profile-cable, coding color pebble grey, color of housing black
96.022.4950.8	Connector RST20I2S S13ZASSVL KG0	RST20i3/2 connector, 2 pole, male, screw connection, application ~50V/-120V, 20A, for AS-i-profile-cable, coding color pebble grey, color of housing black
96.023.4050.8	Connector RST20I2S B13YR1S B KG06	RST20i3/2 connector (90° angled), 2 pole, female, screw connection, application ~50V/-120V, 20A, for cable diameters 6-10mm, coding color pebble grey, color of housing black
96.024.4050.8	Connector RST20I2S S13YR1SVB KG06	RST20i3/2 connector (90° angled), 2 pole, male, screw connection, application ~50V/-120V, 20A, for cable diameters 6-10mm, coding color pebble grey, color of housing black
96.023.4150.8	Connector RST20I2S B13YR2S B KG06	RST20i3/2 connector (90° angled), 2 pole, female, screw connection, application ~50V/-120V, 20A, for cable diameters 10-14mm, coding color pebble grey, color of housing black
96.024.4150.8	Connector RST20I2S S13YR2GVB KG06	RST20i3/2 connector (90° angled), 2 pole, male, screw connection, application ~50V/-120V, 20A, for cable diameters 10-14mm, coding color pebble grey, color of housing black
96.023.4950.8	Connector RST20I2S B13YASS B KG06	RST20i3/2 connector (90° angled), 2 pole, female, screw connection, application ~50V/-120V, 20A, for AS-i-profile-cable, coding color pebble grey, color of housing black
96.024.4950.8	Connector RST20I2S S13YASSVB KG06	RST20i3/2 connector (90° angled), 2 pole, male, screw connection, application ~50V/-120V, 20A, for AS-i-profile-cable, coding color pebble grey, color of housing black
96.021.4250.8	Connector RST20I2S B13ZRXS L KG06	RST20i3/2 splitter connector, 2 pole, female, screw connection, application ~50V/-120V, 20A, for cable diameters 6-10mm, coding color pebble grey, color of housing black
96.022.4350.8	Connector RST20I2S B13ZRYS B KG06	RST20i3/2 splitter connector, 2 pole, male, screw connection, application ~50V/-120V, 20A, for cable diameters 10-14mm, coding color pebble grey, color of housing black
96.021.0950.8	Connector RST20I2F B23ZASS B KG06	RST20i3/2 connector, 2 pole, female, spring clamp connection, application ~50V/-120V, 20A, for AS-i-profile-cable, coding color pebble grey, color of housing black
96.022.0950.8	Connector RST20I2F S23ZASSVB KG06	RST20i3/2 connector, 2 pole, male, spring clamp connection, application ~50V/-120V, 20A, for AS-i-profile-cable, coding color pebble grey, color of housing black
96.023.0050.8	Connector RST20I2F B23YR1S B KG06	RST20i3/2 connector (90° angled), 2 pole, female, spring clamp connection, application ~50V/-120V, 20A, for cable diameters 6-10mm, coding color pebble grey, color of housing black
96.024.0050.8	Connector RST20I2F S23YR1SVB KG06	RST20i3/2 connector (90° angled), 2 pole, male, spring clamp connection, application ~50V/-120V, 20A, for cable diameters 6-10mm, coding color pebble grey, color of housing black
96.023.0150.8	Connector RST20I2F B23YR2S B KG06	RST20i3/2 connector (90° angled), 2 pole, female, spring clamp connection, application ~50V/-120V, 20A, for cable diameters 10-14mm, coding color pebble grey, color of housing black
96.024.0150.8	Connector RST20I2F S23YR2SVB KG06	RST20i3/2 connector (90° angled), 2 pole, male, spring clamp connection, application ~50V/-120V, 20A, for cable diameters 10-14mm, coding color pebble grey, color of housing black
96.023.0950.8	Connector RST20I2F B23YASS B KG06	RST20i3/2 connector (90° angled), 2 pole, female, spring clamp connection, application ~50V/-120V, 20A, for AS-i-profile-cable, coding color pebble grey, color of housing black

96.024.0950.8	Connector RST20I2F S23YASSVB KG06	RST20i3/2 connector (90° angled), 2 pole, male, spring clamp connection, application ~50V/-120V, 20A, for AS-i-profile-cable, coding color pebble grey, color of housing black
96.021.0250.8	Connector RST20I2F B23ZRXS L KG06	RST20i3/2 splitter connector, 2 pole, female, spring clamp connection, application ~50V/-120V, 20A, for cable diameters 6-10mm, coding color pebble grey, color of housing black
96.022.0350.8	Connector RST20I2F B23ZRYS B KG06	RST20i3/2 splitter connector, 2 pole, male, spring clamp connection, application ~50V/-120V, 20A, for cable diameters 10-14mm, coding color pebble grey, color of housing black

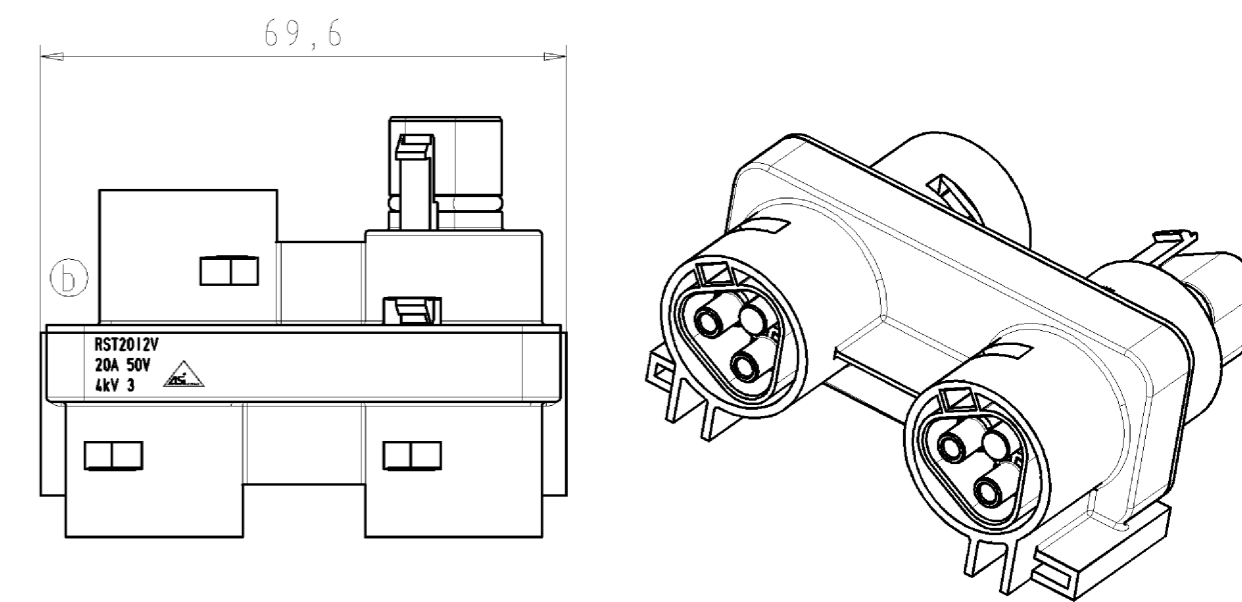
Gezeichnete Ausführung:  
drawn construction:  
96.020.0150.8



180°

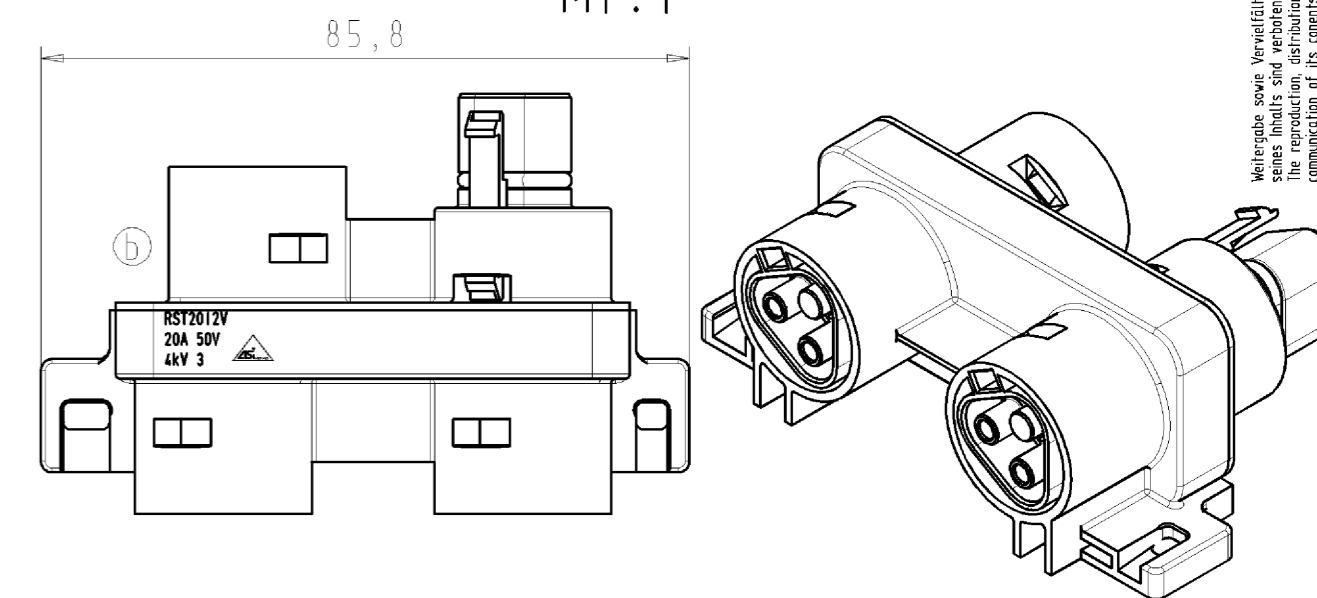


Ausführung: 96.020.0250.8  
Variante: ohne Anschraubflansch  
drawn construction: 96.020.0250.8  
variante: without screwing flange  
M1:1



Typ/type: RST2012V 3P1 V L KG06

Ausführung: 96.020.0150.8  
Variante: mit Anschraubflansch  
drawn construction: 96.020.0150.8  
variante: with screwing flange  
M1:1



Typ/type: RST2012V 3P1 F V L KG06

Weitergabe sowie Vervielfältigung dieses Dokuments, Verwertung und Mitteilung seines Inhalts sind verboten, soweit nicht ausdrücklich gestattet. Die Reproduktion, Distribution und Nutzung dieses Dokuments sowie die Kommunikation der Inhalte ist ohne schriftliche Genehmigung der Wieland ist prohibited.

These dimensions will be especially checked at delivery. Only inspection dimensions. Dimensions in mm. Dimensions are only valid for internal use. These Maße werden bei Abnahme besonders geprüft. Ausschließlich Prüfmaße. Maße in mm. Maße sind nur für interne Zwecke gültig.

Tolerierung nach DIN 7167/Tolerance system acc. to DIN 7167. (This DIN-standard describes the envelope principle. According to the envelope principle the deviations of form and parallelism are limited by the size tolerances).		ja/yes <input checked="" type="checkbox"/> Stoffverfalls- und Deklarationsliste nach UU-TM-05/03 ist einzuhalten. Conformity with Wieland document UU-TM-05/03 (list of prohibited / declarable hazardous substances) to be declared!	
Freitoleranz nach General tolerance		CAD - Zeichnung, keine manuellen Änderungen EAD - drawing, no manual modifications allowed	
1. Verwendung: -		Blatt: 1 von 1 Sheet: 1 of 1	
Werkstoff/Material Farbe: kieselgrau, ähnl. RAL 7032 color: pebble grey, similar to RAL 7032		2007 gezeichnet drawn 13.02. geprüft checked Werkzeug- Stand. check	Tag/Date Name Winkler
Maßstab/Scale 2:1		Zeichnung Nr./Drawing No. 96.020.0150.8 01K b	
Vol. mm/Off./Surf. mm		Ersatz für/Replacement for: -	
b 30.04.2009/ a 26.03.2007/ Index Datum / Blatt Date / Sheet		Type Benennung/Title	
Änderung/Revision		wieland Elektrische Verbindungen	
		VERTEILER für AS-Interface/ for AS-Interface	

960200150801K\_F\_CAD/2008/04/30/140350 1/000