

REVISION RECORD				
REV	ECN	DESCRIPTION	DRFT	DATE

NOTES1:

UL Standard

1. Rated Voltage/Current : 150V / 4A
2. Withstanding Voltage : AC1300V/1Min.
3. Wire Range : 26~20AWG

IEC Standard

1.

Pollution Degree	2
Overvoltage Category	II
Rate Impulse Voltage(kV)	2.5KV
Rate Voltage(V)	250V
Rate Current(A)	5A

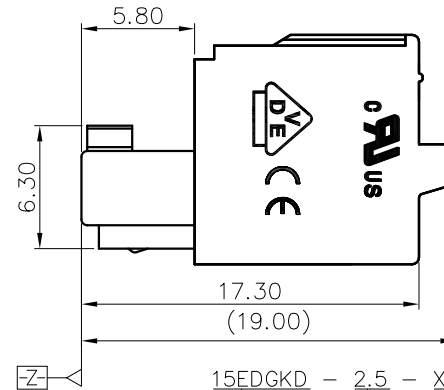
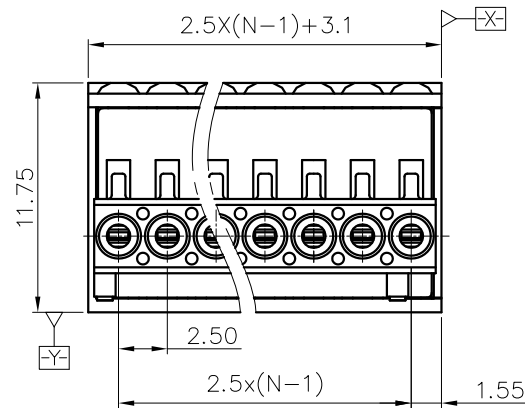
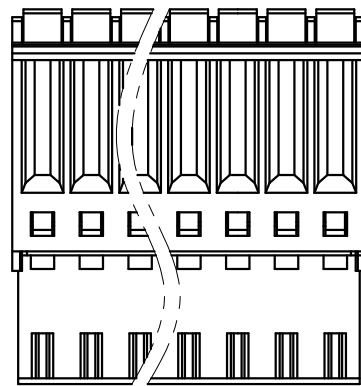
2. Wire Range : 0.2~0.5mm²

NOTES2:

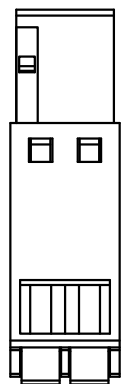
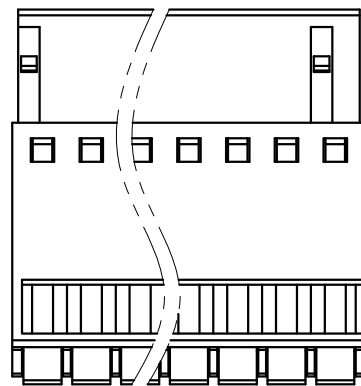
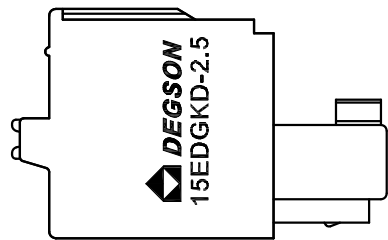
1. Dimension shall be interpreted per ASME Y14.5-2009
2. Pitch : 2.50mm, Poles : N=2-12P
3. Stripping length : 8.0mm
4. Operating temperature: -40°C~+105°C
5. Undimensioned Tolerances:

Pitch range in mm		Nominal dimension range in mm					
TO	Over TO	Over TO	TO	Over TO	Over TO	Over TO	0.1/10
6	6 TO 10	10 TO 24	30 TO 60	60 TO 100	100 TO 150	150	∠
	±0.15	±0.20	±0.30	±0.30	±0.50	±1.00	±2'

6. RoHS Compliance



15EDGKD - 2.5 - XXP - 1Y - 00A (H)
 (Series No.) (Pitch) (Poles) (Single Pitch) (Color): 1.(Grey)
 2.(Blue)
 3.(Black)
 4.(Green)
 5.(Orange)
 6.(Red)
 7.(Transparent)
 8.(Yellow)
 9.(White)



02P

DETACHED LISTS	PART NO.:	NINGBO DEGSON ELECTRICAL CO., LTD			
	APPD:	NAME: 15EDGKD-2.5-XXP-1Y-00A(H)			
	CHKD:	TITLE: CUSTOMER DRAWING			
	DRFT:	DRAWING NO.:		REV	DO
	THIRD ANGLE PROJECTION		MM (INCH)	DO NOT SCALE DRAWING	SCALE 1:1