

Data sheet

Commercial Art.No.: 46.030.1253.1

Distributor RST16I3V 2P1 TGVG SW

RST16i3 distribution block, 3 pole, application 250V with PE, 16 A, 1 input and 2 outputs, fastening option with separate mounting plate, coding color black



Commercial Art.No.	46.030.1253.1
EAN	4049088335273
Order Unit	1

Certificates / Approvals



Technical data

General

Rated current	16 A
Rated voltage	250 V
Rated impulse voltage	4 kV
Pollution degree	3
Lockable	self-locking (unlocking by hand)
Color of coding/ contact carrier	black
Marking of poles	L, N, PE

Model

Number of inputs	1
Number of outputs	2
Type of fastening	yes
Degree of protection (IP)	IP66/68 (3m;2h) /IP69
Type of distributor	Distribution block

Material

Housing material	Polyamide
halogen free	yes
Contact material	CuZn
Fire load	0.183 kWh
Insulation components continuous temperature	100 °C
Surface finish	Silver-plated

Dimensions

Length	60 mm
--------	-------

Width	29 mm
Height	55 mm

Classification

ECLASS 11	
ECLASS 8.1	27440603
ETIM 7.0	EC002567
ETIM 6.0	EC002567
ETIM 5.0	EC002567

Product compliance

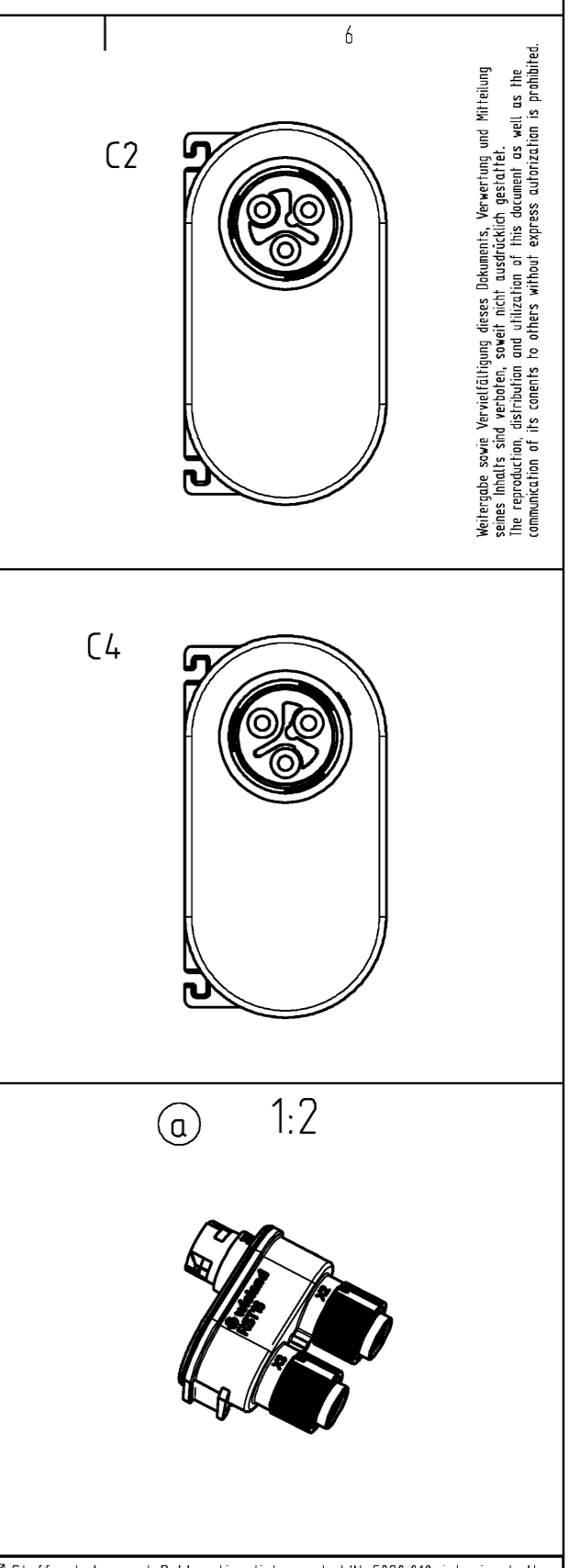
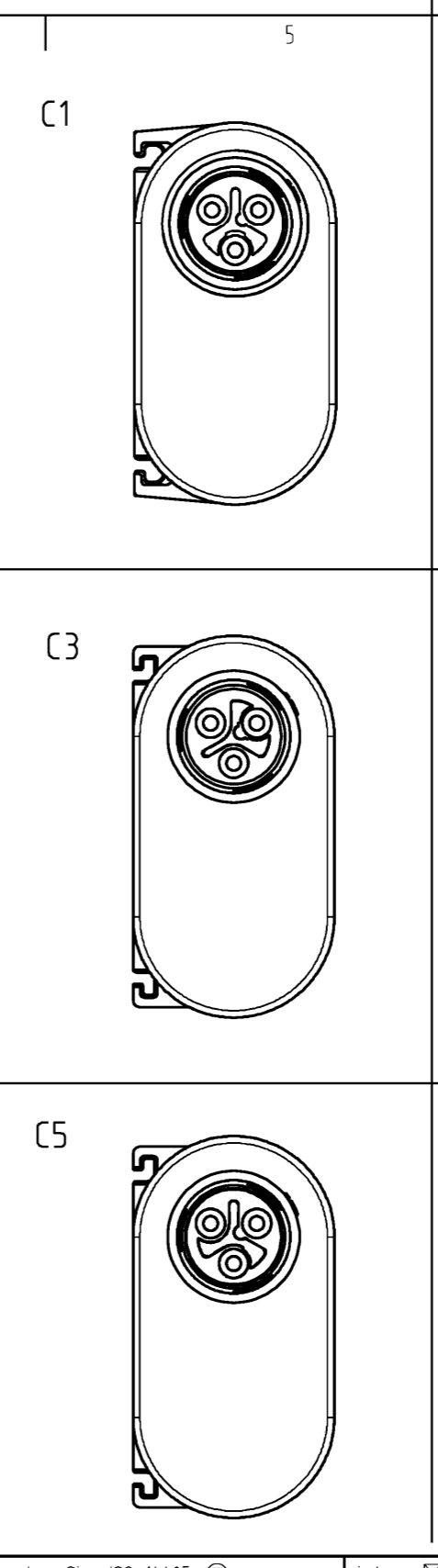
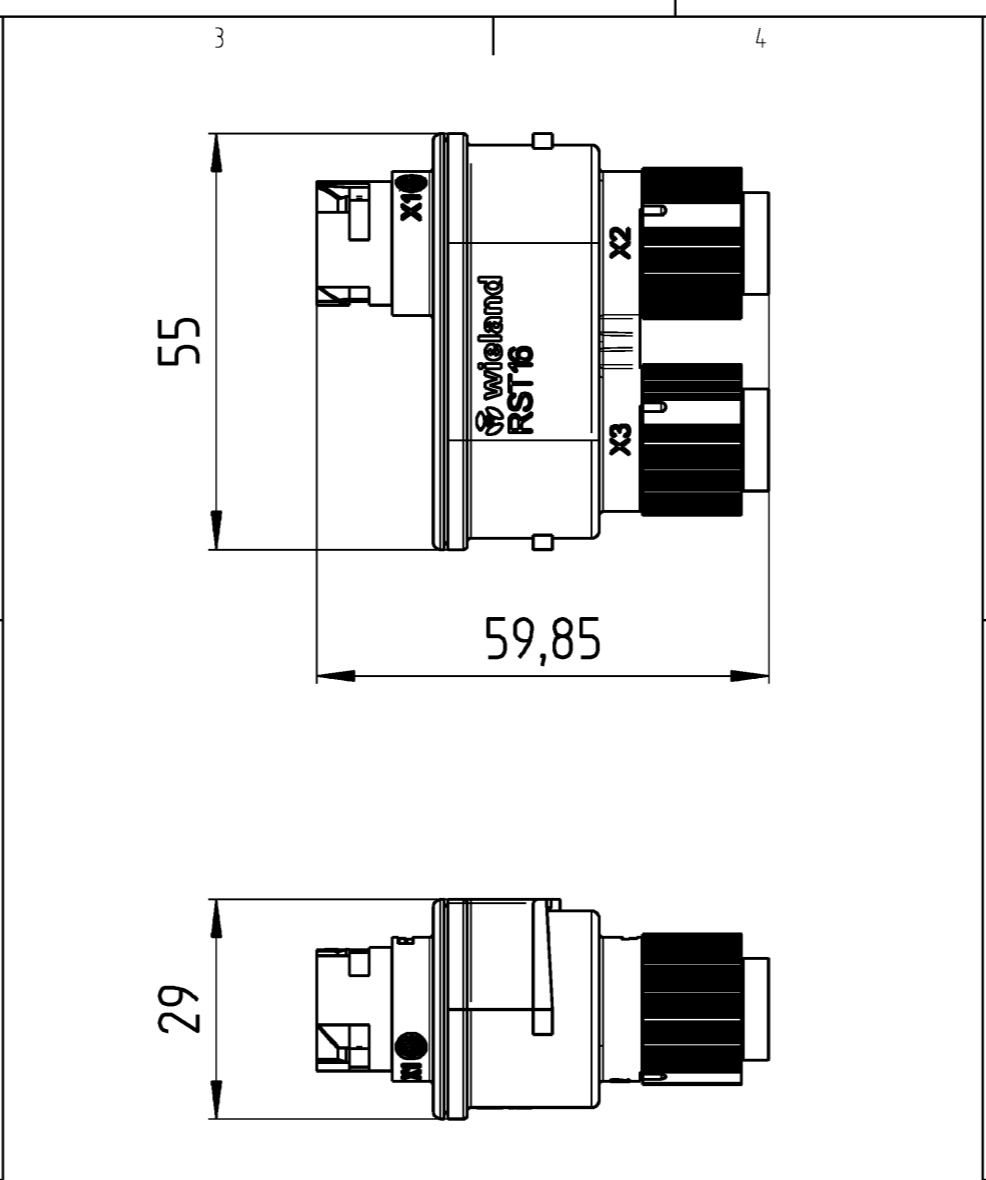
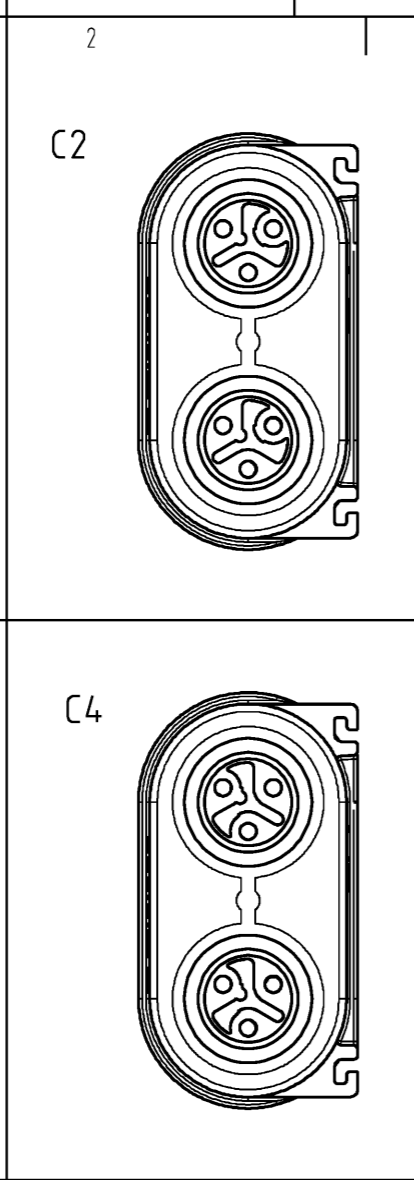
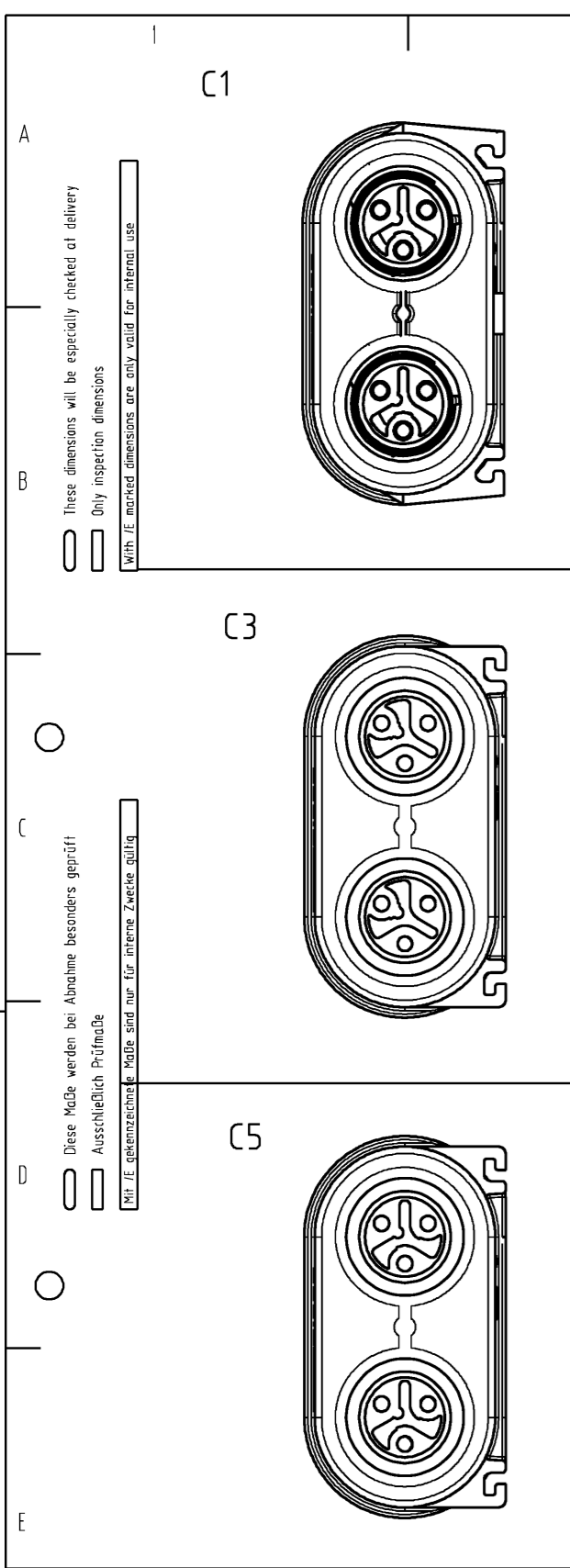
ROHS conformity status	Compliant/Exempted
ROHS exceptions	III-6(c)
REACH-SVHC conformity status	Duty-To-Declare
REACH-SVHC substances	Lead
REACH-SVHC CAS numbers	7439-92-1

Accessories

Commercial Art.No.:	Article-type description:	Description:
06.562.5853.1	Supporting plate für RST 16 VB SW	RST16i2...5 mounting plate for distribution block, color black

Fits with

Commercial Art.No.:	Article-type description:	Description:
46.031.4453.1	Connector RST16i3 S B1 ZT3 SW	RST16i3 connector, 3 pole, female, screw connection, application 250V with PE, 16A, for cable diameters 7.1-13mm, coding color black, color of housing black
46.032.4453.1	Connector RST16i3 S S1 ZT3 SW	RST16i3 connector, 3 pole, male, screw connection, application 250V with PE, 16A, for cable diameters 7.1-13mm, coding color black, color of housing black
46.031.4553.1	Connector RST16i3 S B1 ZT4 SW	RST16i3 connector, 3 pole, female, screw connection, application 250V with PE, 16A, for cable diameters 5.0-9.5mm, coding color black, color of housing black
46.032.4553.1	Connector RST16i3 S S1 ZT4 SW	RST16i3 connector, 3 pole, male, screw connection, application 250V with PE, 16A, for cable diameters 5.0-9.5mm, coding color black, color of housing black



Weitergabe sowie Vervielfältigung dieses Dokuments, Verwertung und Mitteilung seines Inhalts sind verboten, soweit nicht ausdrücklich gestattet. Die Reproduktion, Distribution und Nutzung dieses Dokuments sowie die Kommunikation mit anderen ohne ausdrückliche Genehmigung ist untersagt.

Teile-Nr. /part-no.	Typ /type	Farbe /colour	Kodierung /coding
46.030.1253.0	RST1613V 2P1 TGVG GL	lichtgrau/light grey	C1
46.030.1253.1	RST1613V 2P1 TGVG SW	schwarz/black	C1
46.030.1255.7	RST1613V 2P1 TGVG GN	laubgrün/leafgreen	C2
46.030.1250.4	RST1613V 2P1 TGVGL BR	signalbraun/signal brown	C3
46.030.1253.9	RST1613V 2P1 TGVGH BL	lichtblau/light blue	C4
46.030.1250.6	RST1613V 2P1 TGVGA TB	türkisblau/turquoise blue	C5

Tolerierung Size ISO 14405 © / Tolerance system Size ISO 14405 ©.
(This ISO-standard describes the envelope principle. According to the envelope principle the deviations of form and parallelism are limited by the size tolerances).

ja/yes Stoffverbots- und Deklarationsliste nach WN 5020.010 ist einzuhalten.
Conformity with Wieland document WN 5020.010 e (list of prohibited / declarable hazardous substances) to be declared!

Freitoleranz nach General tolerance	CAD - Zeichnung, keine manuellen Änderungen CAD - drawing, no manual modifications allowed	1. Verwendung: First Use:	Blatt: 1 von 1 Sheet: of 1
Werkstoff / Material	Tag/Date	Name	Zeichnung Nr. / Drawing No.
Maßstab / Scale	gezeichnet drawn	Hollet F.	46.030.1253.0 13K a
1:1	geprüft checked		Maße in mm / Dimensions are in mm
Vol. mm³	OfL/Srf. mm²	Ersatz für / Replacement for:	
Änderung / Revision	www.wieland-electric.com	Type	Benennung/Title
a 09.11.2016 / Datum / Blatt Date / Sheet		RST1613V	VERTEILERBLOCK
		2P1 TGVG...	RST1613 / 1x Eingang 2x Ausgang / ohne Flansch distributor RST1613 / 1x input 2x output