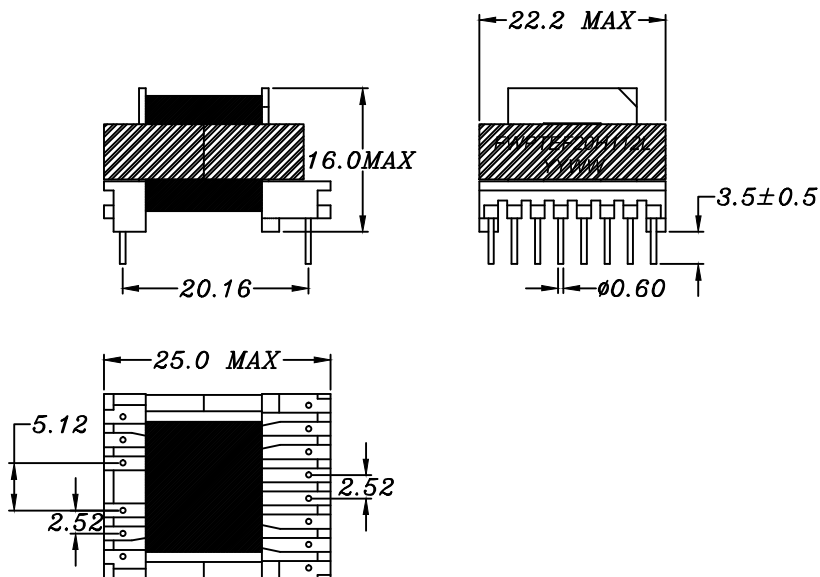


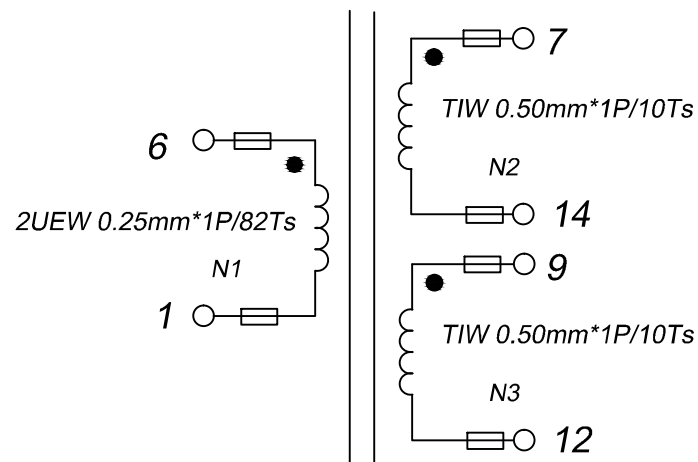
| | | |
|-------------------|------|-----------------|
| CUSTOMER TERMINAL | ROHS | Lead (Pb) -free |
| | YES | YES |



1. Mechanical Dimensions



2. Schematic Diagram



3. Material List

Core:FW44-EE20/10/6
 Bobbin:FWB2027 (6+8PIN)
 Wire:2UEW-B-0.25mm 130°C TIW-B-0.50mm 130°C
 Tube:TFL TUBE
 Operating Temperature: -30 to 115°C

4. Electrical Specification

Inductance: $L(6-1) = 1.15\text{mH} \pm 15\% \text{ 1KHZ } 1\text{V}$
 LK: $L(6-1) = 45\text{uH MAX } 100\text{KHZ } 1\text{V short other pins}$
 DCR: $(6-1) = 1.3\Omega \text{ MAX}$
 HI-POT: P-S AC 4000V 5mA 60seconds
 P、S-CORE AC 1500V 5mA 60seconds

| | | | | | | |
|-------------|-------|--|------|--|--------------------------------------|----------------------------|
| REV. | DATE | Convention Placement | DRW. | | Drawing Title: TRANSFORMER | Part No: FWPTEF20H112L |
| 0 | 00/00 | | CHK. | | | |
| RoHS | | www.ferriwo.com | APP. | | Customer P/N: V-50213 | Specification Sheet 1 of 1 |