

### Features

**Switching** Zero cross & Random

**Output** Triac

**Input** DC with constant current control

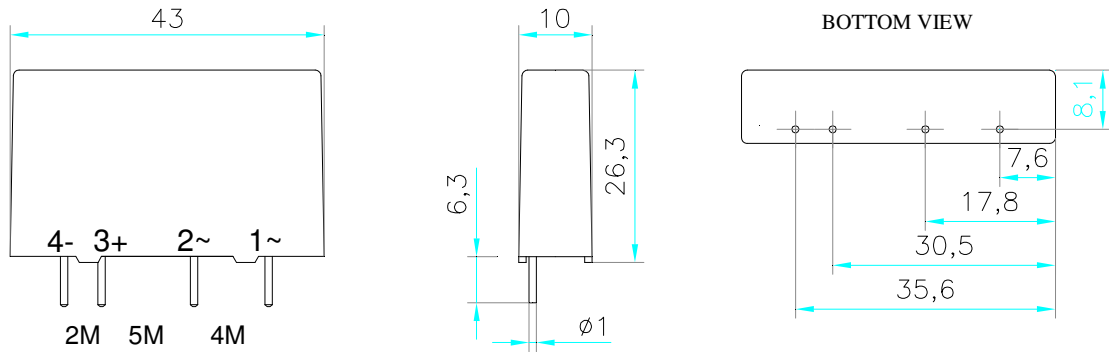
### Applications

Resistive and inductive loads with  $\cos\phi > 0.85$  (Z-type)  
 inductive load with  $\cos\phi > 0.65$  (R-type)

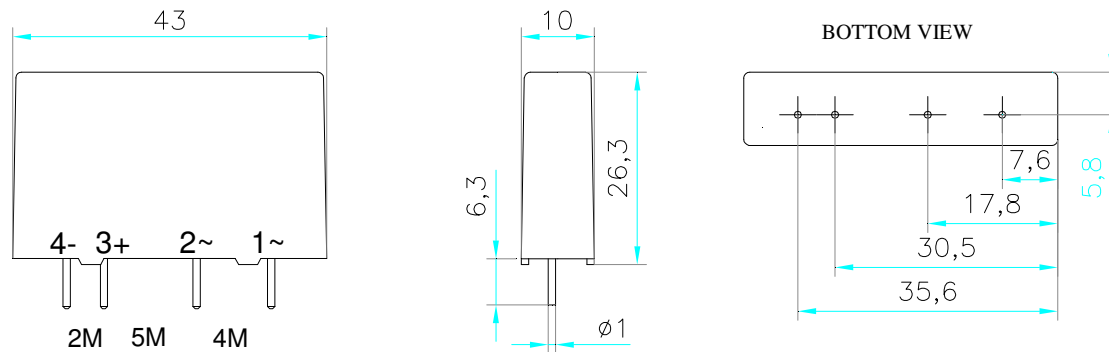
### Technical data

WG A8 6D...	03 Z	03 R	05 Z	05 R
<b>Input circuit</b>				
Control voltage range	3...32 VDC			
Control current max	14 mA			
Turn-off voltage min..	1 VDC			
Input resistance	Constant current			
<b>Output circuit</b>				
Load voltage range	24 (Z-type) / 48 (R-type)...280 VAC			
Peak-off state voltage	600 V <sub>drm</sub>			
Off-state leakage current	5 mA eff.		8 mA eff.	
Load current range	0,05...3 A		0,1...5 A	
Surge current 1 half wave	100 A <sub>peak</sub>			
I <sup>2</sup> t for fusing	50 A <sup>2</sup> s			
On-state voltage	1,6 V <sub>peak</sub>			
Off-state (static) dv/dt	500 V/μs			
Snubber	47 Ω / 22 nF		47 Ω / 47 nF	
<b>General data</b>				
Turn-on time max.	11 ms	0,1 ms	11 ms	0,1 ms
Turn-off time max.	11 ms			
Line frequency range.	47...63 Hz			
Isolation volt. between input/output	4.000 V			
Isolation volt. between input-output/base	—			
Isolation resistance	50 MΩ			
Operation temperature	-20...+80 °C			
Recommended varistor	SIOV-S14 K230			
Approvals	UL			

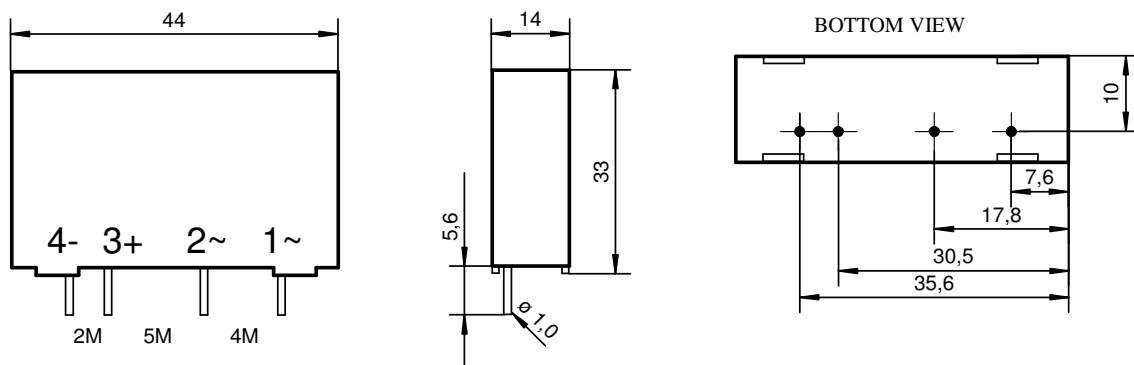
### Dimensions in mm WG A8 6D 03 Z/R



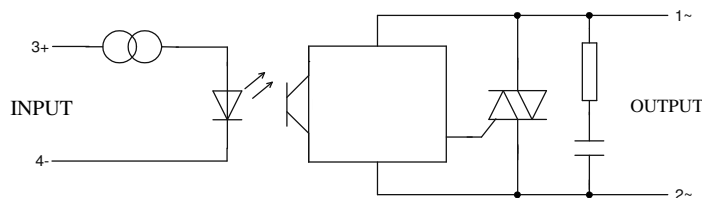
### Dimensions in mm WG A8 6D 03 Z/R - S



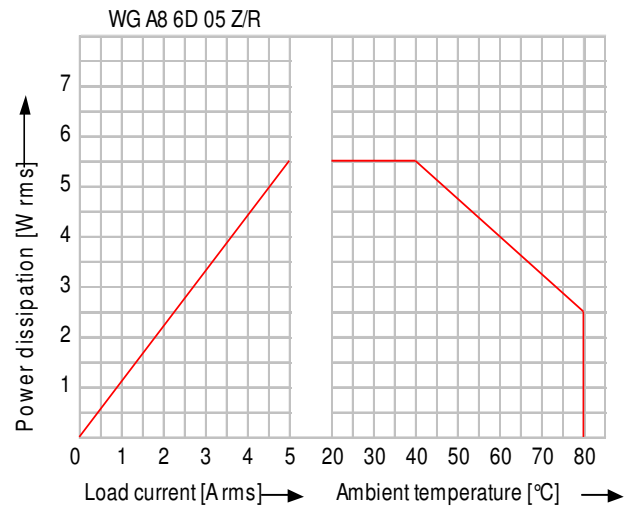
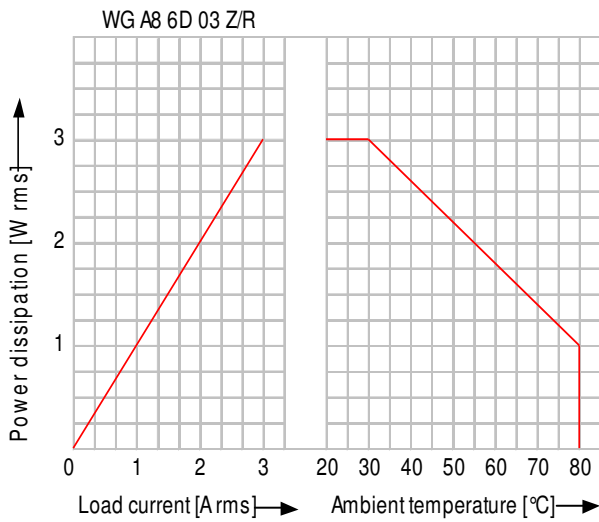
### Dimensions in mm WG A8 6D 05 Z/R



### Circuit diagram



### Derating-diagramme



### Housing specifications

Weight	Approx. 20 g
Housing material	Glass filled polyester
Potting compound	Thermally conductive epoxy
Terminals	Solder pins

### Ordering

