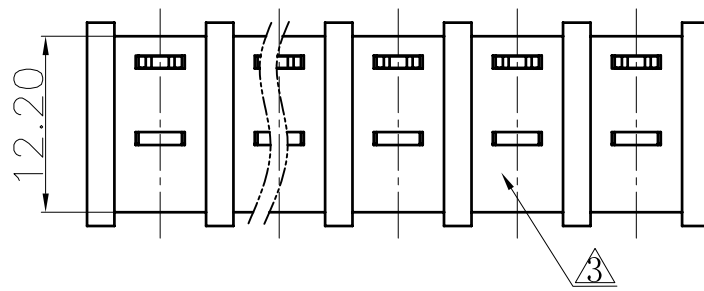
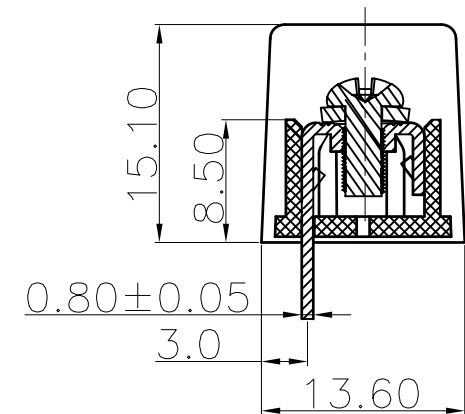
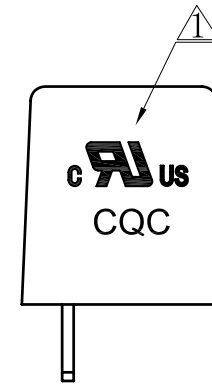
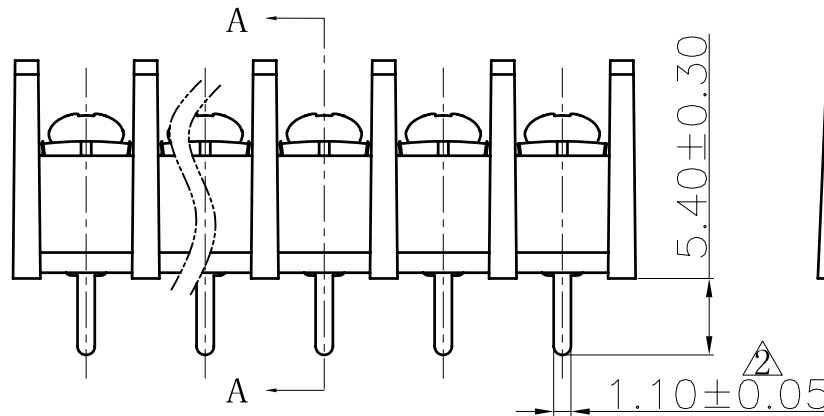


NOTES:

1. Pitch: 8.25mm , Poles: 2P-26P
2. Rated voltage/current: UL 300V/20A
IEC 450V/32A
3. Operation temperature: -40° C ~+105° C
4. Withstanding Voltage: AC2000V/1Min
5. Insulation Resistance: 500MΩ/DC500V
6. Wire Range: 22~12AWG; 4mm²
7. Max. Torque Value: M3, 5.10Kgf.cm
8. Undimensioned Tolerances:

REVISION RECORD					
REV	ECO	DESCRIPTION	DRFT	DATE	
△		增加UL刻字	CSX	06/06/06*	
△		修改脚宽	CSX	09/20/06*	
△		工程变更商标品名更改到侧面	WLM	07/19/08*	

Pitch range in mm		Nominal dimension range in mm					—
to	over	over	over	over	over	over	
6	6 to 10	10 to 24	30 to 30	30 to 60	60 to 100	100 to 150	∅
±0.10	±0.15	±0.25	±0.2	±0.3	±0.5	±0.7	±1.0
							0.05/10



1	DG35S-B Housing	5002A0YXXA(H)	1	PA66	UL94V-0	
ITEM	NAME OF PART	NO. OF PART	Q'TY	MATERIAL	NOTES	
DETACHED LISTS	MM (INCH)	DFTO Home	DATE 04/11/06*	宁波高正电子有限公司 DEGSON ELECTRONICS CO., LTD NAME DG35S-B-XXP-1Y-00A(H) DRAWING NO. DG35S-E07 FINISH : SCALE : 1:1 DO NOT SCALE DRAWING SHEET 1 OF 1		
	TOLERANCES EXCEPT AS NOTED		CHKD			DATE
			MFO			DATE
			APPVL			DATE
			MATERIAL :			
ANGLES ± 1°		G.E :		SIZE REV A3 T3 07/19/08*		
THIRD ANGLE PROJECTION		FINISH :		/PART NO.		

3	3*6(6*6) bright-Screw	S000000450(H)	XX	Steel	Ni Plated
2	DG25S-Pin Header	5001B00090(H)	XX	Brass	SnCe