

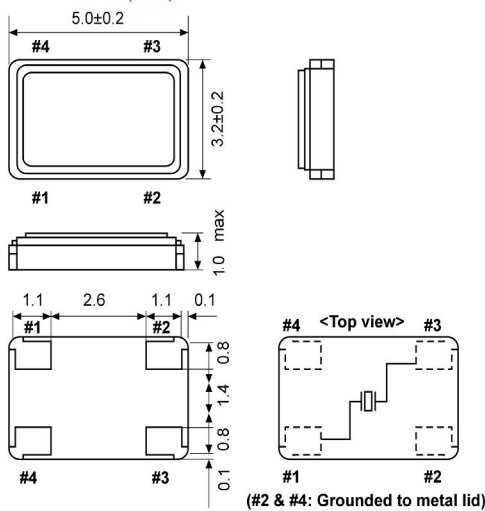


Quartz Crystal

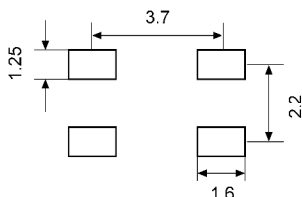
SMD-version

part no.	12.xxxxx
model	KX – 9A
frequency range	7.680 ~ 300.0 MHz
mode	fundamental, 3rd overtone, 5th overtone
operating temperature	standard -20° ~ + 70°C available -40° ~ + 85°C (=KX-9AT) available -40° ~ +105°C (=KX-9AE)
frequency tolerance at +25°C	standard ±30 ppm available ±10 ~ ±50 ppm
temperature tolerance -20° ~ + 70°C -40° ~ + 85°C -40° ~ +105°C	standard ± 50 ppm, available ±10 ~ ± 70 ppm standard ±100 ppm, available ±20 ~ ±100 ppm standard ±120 ppm, available ±30 ~ ±120 ppm
load capacitance C_L	standard 16 pF available 10 ~ 20 pF
series resistance R1 max.	fundamental 7.68 ~ 7.99 MHz 330 Ohm 8.0 ~ 12.0 MHz 100 Ohm 12.1 ~ 16.0 MHz 80 Ohm 16.1 ~ 20.0 MHz 60 Ohm 20.1 ~ 50.0 MHz 40 Ohm 50.1 ~ 130.0 MHz 30 Ohm 3rd overtone 70.0 ~ 300.0 MHz 80 Ohm 5th overtone 120.0 ~ 250.0 MHz 80 Ohm
aging at +25°C (first year) max.	±2 ppm
shunt capacitance C_0 max.	5.0 pF
drive level max.	300 µW
contents of reel	1000 pcs.

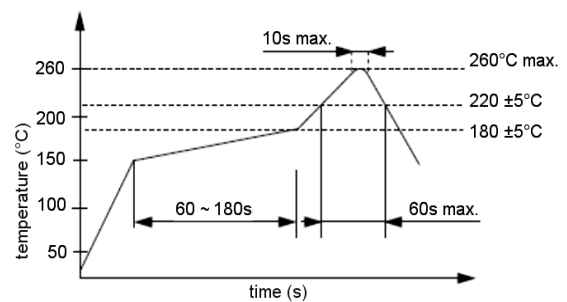
Dimensions (mm):



Suggested soldering pad:



Reflow soldering condition:



Tape specification:

