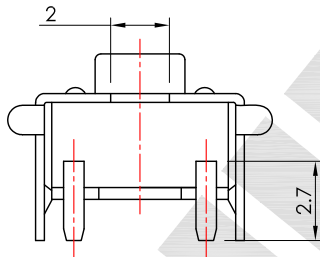
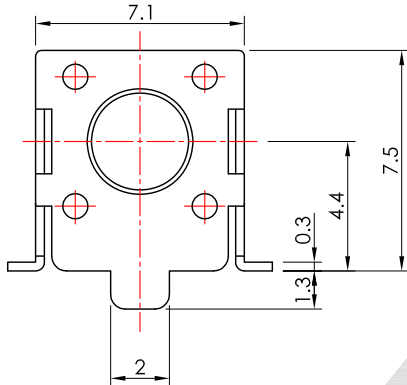
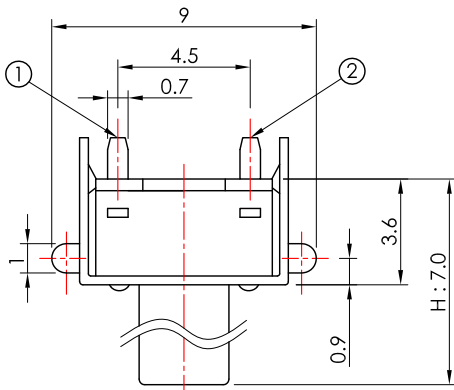
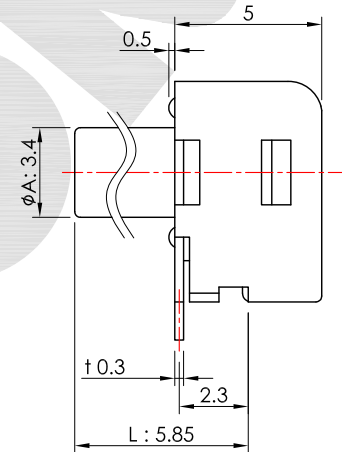
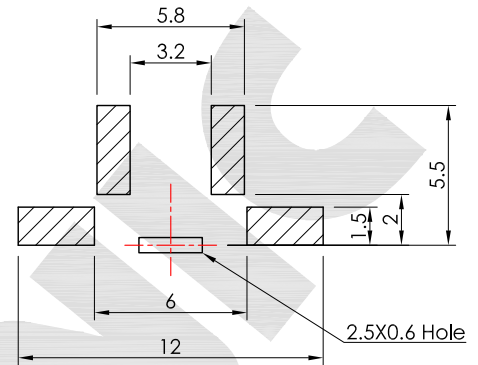


*開關產品未經SWITRONIC同意，請勿拆解，否則無法負品質及安全責任。
Please do not decompose the switch without any permission from SWITRONIC, otherwise the quality and safety responsibility could not be guaranteed.

*本圖面若與目錄之規格尺寸不符，以本圖面規格尺寸為主。
Below is our main specification if different from catalog.



P.C.B. LAYOUT



CIRCUIT DIAGRAM



OPERATING FORCE
130, 160, 250

IT4-1102USX9X-XXXG-G

STEM COLOR	
□	Black
W	White

RoHS compliant

SPECIFICATION

Rating: 50mA 12V DC.
Travel: 0.25±0.1mm.
Contact resistance: 100mΩ Max.
Insulation resistance: 100MΩ Min. at 100V DC.
Withstand voltage: 100V AC for 1 minute.
Operating force: 160±50g.
Minimum load: 10mA 3.3V DC.(reference only)
Life: 100,000 Cycles.
Soldering temperature: 250°C Max. for 3 sec.
Soldering time: 1 time only.
Note1: Unwashable, don't be immersed by epoxy and organic solvent.
Note2: Please check the actual size, do not scale the drawing page.

MODEL NO.	L (mm)	H (mm)	φA
□	3.15	4.3	3.5
A	3.85	5.0	3.5
B	5.85	7.0	3.4
C	6.85	8.0	3.4
D	8.35	9.5	3.3
E	6.15	7.3	3.3
F	11.35	12.5	3.1
G	12.35	13.5	3.1
H	8.55	9.7	3.3
I	15.85	17.0	3.1
J	15.15	16.3	3.1



IV3.1	△		
IV3.0	無	新繪製	2016.03.16
版本 VER.	符號 SYMBOL	修改內容 ALTERATION	更新日期 DATE

產品 PRODUCT		Tact Switch		型號 MODEL NO.		IT4-1102USB9-160G-G	
比例 SCALE	4 : 1	單位 UNIT	mm	<div style="display: flex; justify-content: space-between; align-items: center;"> <div style="text-align: center;"> </div> <div style="text-align: center;"> </div> </div> <p style="text-align: center;">一綺電子企業股份有限公司</p> <p>總公司：110 台北市信義路四段415號13樓之3 13F-3 NO. 415, SEC. 4, HSIN YI ROAD, TAIPEI, TAIWAN TEL : 886-2-27290229 (Rep.) FAX : 886-2-27582086 URL : http://www.switronic.com.tw E-MAIL : switches@ms36.hinet.net</p>			
公差 TOLERANCE	±0.3mm						
製圖 DRAWN BY	核圖 CHECKED BY	主管 APPROVED BY					
Allen Liao	Chuck Young	Margaret Lee					