

Data sheet

Commercial Art.No.: 93.942.0558.0

Connector ST17/2 S ZEV1WS

Connector ST17, 2 pole, male, screw connection, up to 2,5 mm², 50V/16A, color of coding: white, color of housing: white



Commercial Art.No.	93.942.0558.0
EAN	4015573244795
Order Unit	1

Certificates / Approvals



Technical data

General

Rated voltage	50 V
Rated impulse voltage	4 kV
strain relief	yes
Pollution degree	3
Mechanical coding	yes
Lockable	self-locking (unlocking by tool)
Color of coding/ contact carrier	white
Marking of poles	1, 2
Color of housing inclusive strain relief	black

Connection Data

Cable diameter max.	7 mm
Cable diameter min.	5.5 mm
Connection cross section solid mm ² max.	2.5 mm ²
Connection cross section solid mm ² min.	0.5 mm ²
Connection cross section fine stranded mm ² max.	2.5 mm ²
Connection cross section fine stranded mm ² min.	0.5 mm ²
Terminations per pole	1
sheath strip length	35 mm
Wire strip length	7 mm

Model

Model	male
Connection type	screw connection
Degree of protection (IP)	IP20

Material

Housing material	Polyamide
halogen free	yes
Contact material	CuZn
Fire load	0.061 kWh
Insulation components continuous temperature	100 °C

Surface finish	Tin-plated
----------------	------------

Dimensions

Length	54.7 mm
Width	16.2 mm
Height	22 mm

Classification

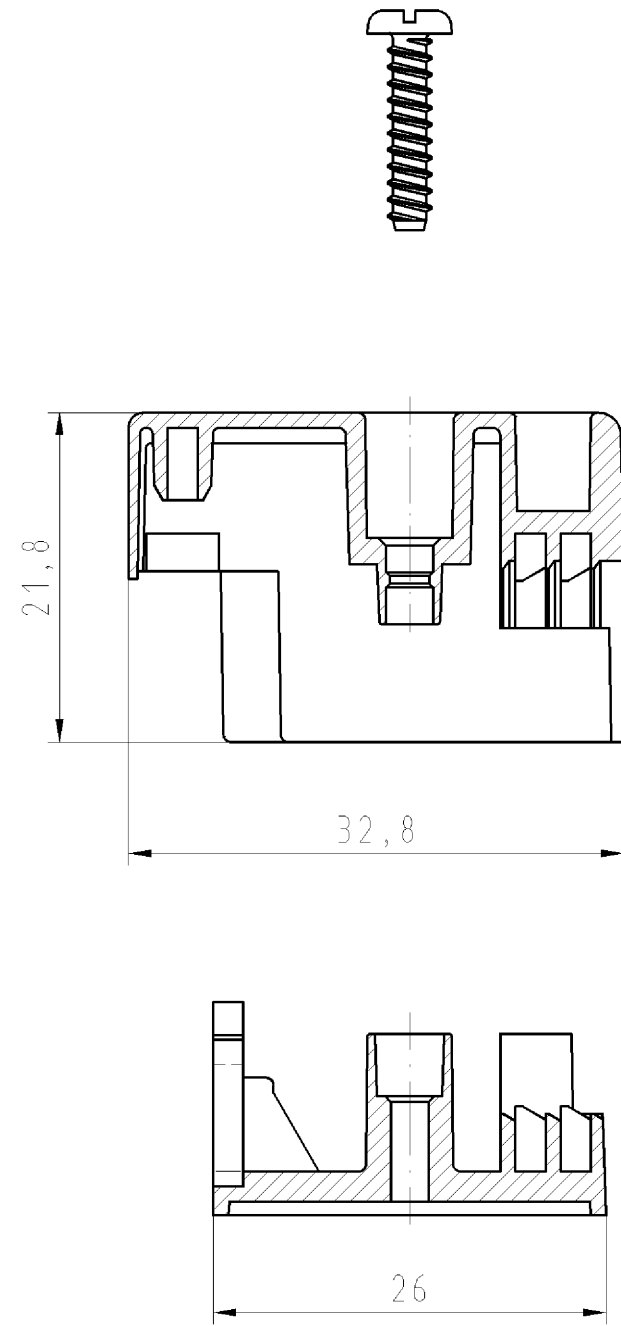
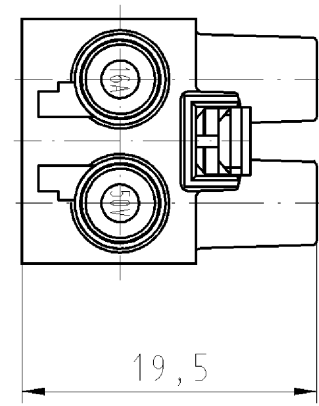
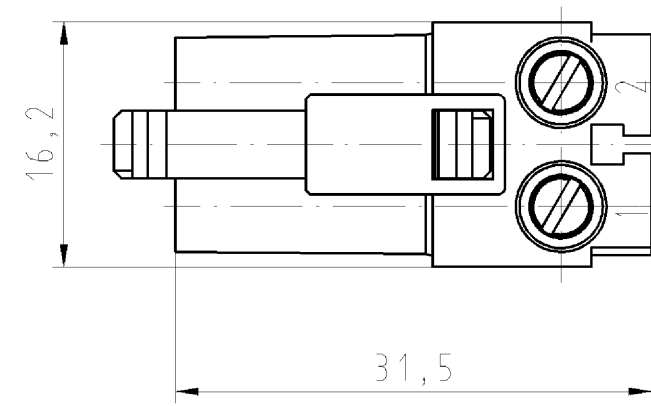
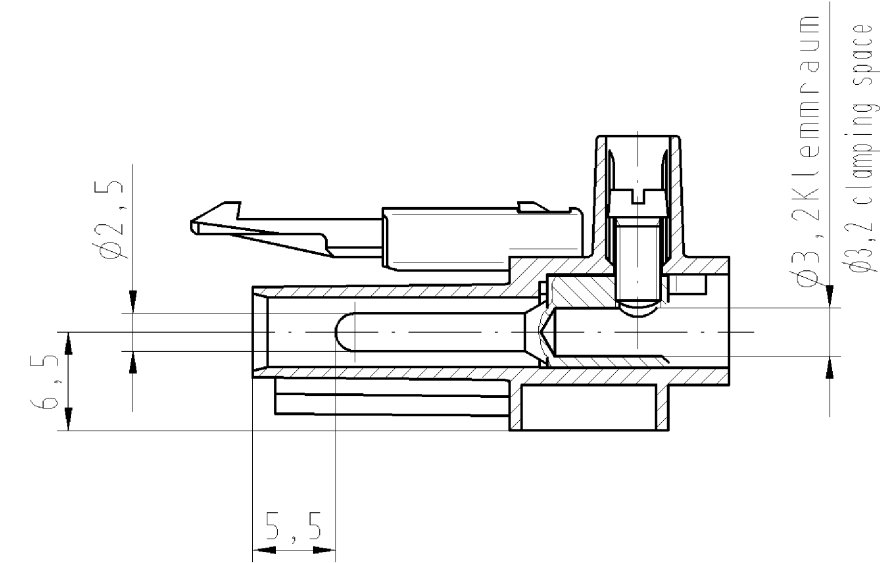
ECLASS 11	
ECLASS 8.1	27440605
ETIM 7.0	EC002560
ETIM 6.0	EC002560
ETIM 5.0	EC002560
ETIM 4.0	EC002560

Product compliance

ROHS conformity status	Compliant/Exempted
ROHS exceptions	III-6(c)
REACH-SVHC conformity status	Duty-To-Declare
REACH-SVHC substances	Lead
REACH-SVHC CAS numbers	7439-92-1

These dimensions will be especially checked at delivery
Only inspection dimensions
With /E marked dimensions are only valid for internal use

Diese Maße werden bei Abnahme besonders geprüft
Ausschließlich Prüfmaße
Mit /E gekennzeichnete Maße sind nur für interne Zwecke gültig



Weitere Daten siehe Katalog
further data see catalog

Teilenummer part number	Typ type	Farbe colour
93.942.0558.0	ST17/2 S ZEV1WS	weiß / white
93.942.0558.1	ST17/2 S ZEV1SW	schwarz / black

Tolerierung nach DIN 7167/Tolerance system acc. to DIN 7167. (This DIN-standard describes the envelope principle. According to the envelope principle the deviations of form and parallelism are limited by the size tolerances).		ja/yes <input checked="" type="checkbox"/> Stoffverbots- und Deklarationsliste nach UU-TQM-05/03 ist einzuhalten. Conformity with Wieland document UU-TQM-05/03 (list of prohibited / declarable hazardous substances) to be declared!		
Freitoleranz nach General tolerance	CAD - Zeichnung, keine manuellen Änderungen CAD - drawing, no manual modifications allowed	1. Verwendung: First Use:	Blatt: 1 von 1 Sheet: of 1	
	Werkstoff/Material	2007 Tag/Date Name	Zeichnung Nr./Drawing No. Index	
	Maßstab/Scale 2:1	gezeichnet drawn 23.01. Schmitt J. geprüft checked - Ningep. Stand. check		
	Vol. mm ³ Ofl./Surf. mm ²	Ersatz für/Replacement for: -	Maße in mm/Dimensions are in mm	
		Type	Benennung/Title	
a 05.03.1991/ Index Datum / Blatt Date / Sheet	wieland Elektrische Verbindungen	STECKERTEIL mit Zugentlastung / with strain relief male connector		
Änderung/Revision				

Weitergabe sowie Vervielfältigung dieses Dokuments, Verwertung und Mitteilung seines Inhalts sind verboten, soweit nicht ausdrücklich gestattet.
The reproduction, distribution and utilization of this document as well as the communication of its contents to others without express authorization is prohibited.

939420558001K_4_CADW1042_Schnitt 2007-01-23T09:16:38 1.000