

Data sheet

Commercial Art.No.: 91.922.3353.0

Connector GST15i2S S1 ZR1 W BL02

GST15i2 connector, 2 pole, male, with screw connection (tall strain relief), for cable diameters 6-7.7 mm, coding SELV 50 V, 16 A, coding color light blue, strain relief color white



Commercial Art.No.	91.922.3353.0
EAN	4015573916128
Order Unit	1

Certificates / Approvals



Technical data

General

Rated current	16 A
Rated voltage	50 V
Rated impulse voltage	4 kV
strain relief	yes
Pollution degree	2
Mechanical coding	Code 3
Lockable	self-locking (unlocking by tool)
Color of coding/ contact carrier	light blue
Marking of poles	1, 2
Color of housing inclusive strain relief	white

Connection Data

Cable diameter max.	7.7 mm
Cable diameter min.	6 mm
Connection cross section solid mm ² max.	2.5 mm ²
Connection cross section solid mm ² min.	0.5 mm ²
Connection cross section fine stranded mm ² max.	2.5 mm ²
Connection cross section fine stranded mm ² min.	0.5 mm ²
Terminations per pole	1
sheath strip length	19 mm
Wire strip length	8 mm

Model

Model	male
Connection type	screw connection
Degree of protection (IP)	IP20

Housing material	Polyamide
halogen free	yes
Contact material	CuZn
Fire load	0.047 kWh
Insulation components continuous temperature	100 °C
Surface finish	Silver-plated

Dimensions

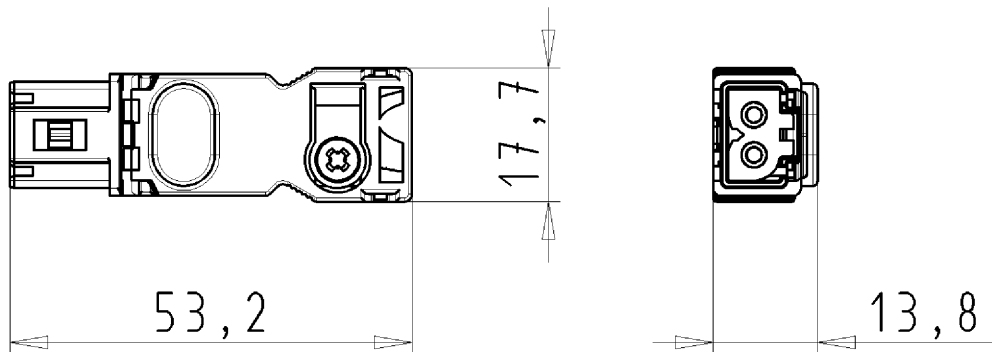
Length	53.2 mm
Width	17.7 mm
Height	13.8 mm

Classification

ECLASS 11	
ECLASS 8.1	27440605
ETIM 7.0	EC002560
ETIM 6.0	EC002560
ETIM 5.0	EC002560
ETIM 4.0	EC002560

Product compliance

ROHS conformity status	Compliant/Exempted
ROHS exceptions	III-6(c)
REACH-SVHC conformity status	Duty-To-Declare
REACH-SVHC substances	Lead
REACH-SVHC CAS numbers	7439-92-1



STECKERTEIL MIT ZUGENTLASTUNG
91.922.3353.0 10W
11.04.2008 Weisensel F.
M 1:1