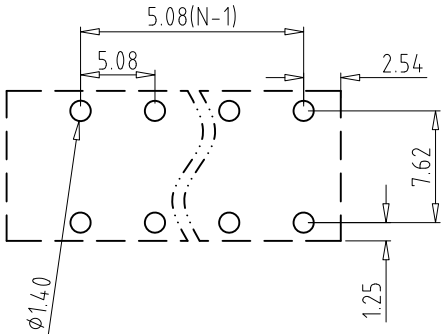
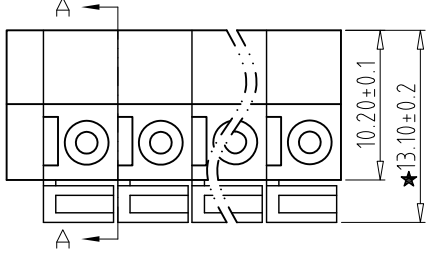


REV	CONTENT	CHK	DATE
V0.0	CONTENT	CXL	20.05.11

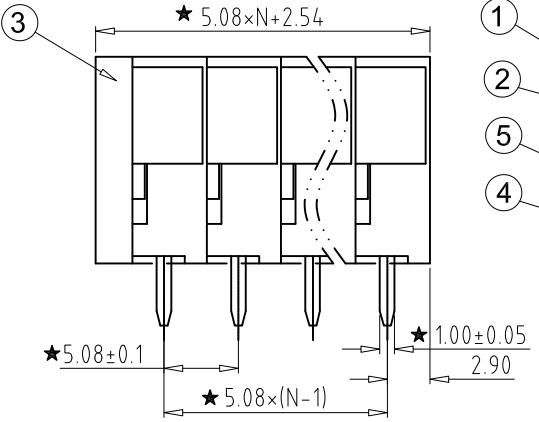
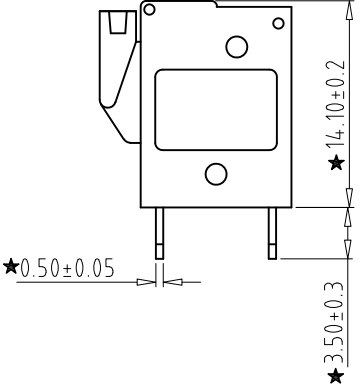


**PCB LAYOUT**

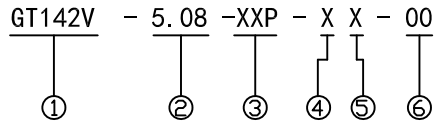
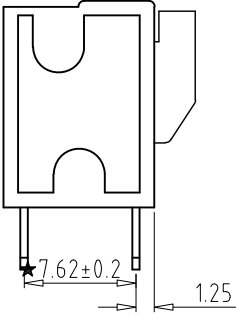
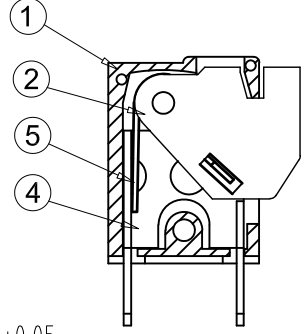


**Electrical :**

- 1. Rated Voltage : 300V (UL) 250V (IEC)
- 2. Rated Current : 10A 15A
- 3. Wire Range: 22-16AWG 0.2-1.5mm<sup>2</sup>
- 4. Stripping Length : 10-11mm
- 5. Withstanding Voltage : AC2000V/1Min.
- 6. Operating Temperature : -40°C~+105°C
- 7. RoHS Compliance
- 8. Safety Approval :
- 9. " ★ " is the key quality control point



SECTION A-A



- ① Series NO.
- ② Pitch
- ③ Poles
- ④ 1 Single Pitch  
2 Double Pitch
- ⑤ Color: 1 Grey  
2 Blue  
3 Black  
4 Green  
5 Orange  
6 Red  
7 Transparent  
8 Yellow  
9 White
- ⑥ Customer Request: 00--Standard

Total Pitch Tolerances in mm										Nominal dimension range in mm										⊥	≡	—	//		
over 0	over 30	over 53	over 70	over 90	over 115	over 150	over 250	over 350	over 500	over 0	over 30	over 53	over 70	over 90	over 115	over 150	over 200	over 250	over 320	to 0	to 10	all	to 0	to 100	to 150
±0.18	±0.20	±0.25	±0.3	±0.35	±0.44	±0.60	±0.70	±0.85	±0.20	±0.25	±0.30	±0.35	±0.44	±0.55	±0.70	±0.80	±0.90	0.2	0.3	0.3	0.2	0.3	0.5		

5	SPRING COIL	XXXXXX	P	STAINLESS	
4	SOLDER PIN	XXXXXX	P	BRASS	Sn Plated
3	END COVER	XXXXXX	1	PA66(UL94V-0)	SEE NOTE
2	LEVER	XXXXXX	P	POM-V2	SEE NOTE
1	HOUSING	XXXXXX	P	PA66(UL94V-0)	SEE NOTE
ITEM	NAME OF PART	NO. OF PART	Q'TY	MATERIAL	NOTE
DWG.	CXL	DATE	20.05.11	SIZE	A4 UNITS mm SHEET/OF 1/1
CHK.		DATE		SCALE	1:1
APP.		DATE			
				NAME	GT142V-5.08-XXP-XX-00
				DWGNO.	XXXX

**Golten** 宁波冠泰电子有限公司  
NINGBO GOLTEN ELECTRONICS CO., LTD.