

Data sheet

Commercial Art.No.: 78.006.0253.0

Female insert FLE BUC 2 35 1

Modular connector system 2 pole female insert, 1000V/150A, crimp connection, turned contacts



Commercial Art.No.	78.006.0253.0
EAN	4049088256301
Order Unit	10

Certificates / Approvals



Technical data

General

Model	Female insert
Inflammability class of insulation material acc. with UL94	V0
Color	black
Mating cycles	100
Pollution degree	3
Modular version	yes
Operating temperature range min.	-40 °C
Operating temperature range max.	120 °C

Connection Data

Connection type	screw connection
Number of poles	2
Plus switching contacts	0
Number of pole for rated current 2	0
Number of pole for rated current 3	0
Total number of poles (without ground contact)	2
With wire protection	No
Min. conductor diameter rigid (solid/stranded)	10 mm ²
Max. conductor diameter rigid (solid/stranded)	25 mm ²
Protective contact	No

Technical Data UL/CSA

Rated voltage according to UL/CSA	600 V
-----------------------------------	-------

Rated current according UL	82 A
Rated current according CSA	82 A
Min. conductor cross section flexible wire	10 mm ²
Max. conductor cross section flexible wire	25 mm ²
Conductor cross section flexible AWG wire	8-4 AWG

Model

With housing	No
--------------	----

Contacts

Contact material	Copper alloy
Surface	Silver-plated
Contact resistance	≤ 2 mOhm
Wire strip length	15 mm

Screws head design/recomm. Torque

Clamping screws	M6/2.5 Nm slot
-----------------	----------------

Technical Data DIN EN 61984

Nominal voltage	1000 V
Rated voltage face/ground	1000 V
Nominal current	82 A
Rated impulse voltage	6 kV

Classification

ECLASS 11	
ECLASS 8.1	27440205
ETIM 7.0	EC000438
ETIM 6.0	EC000438
ETIM 5.0	EC000438
ETIM 4.0	EC000438

Product compliance

ROHS conformity status	Compliant
REACH-SVHC conformity status	Compliant

A

B

C

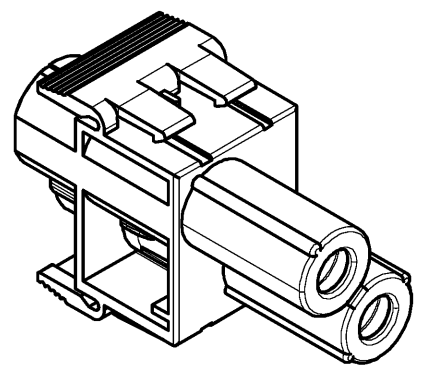
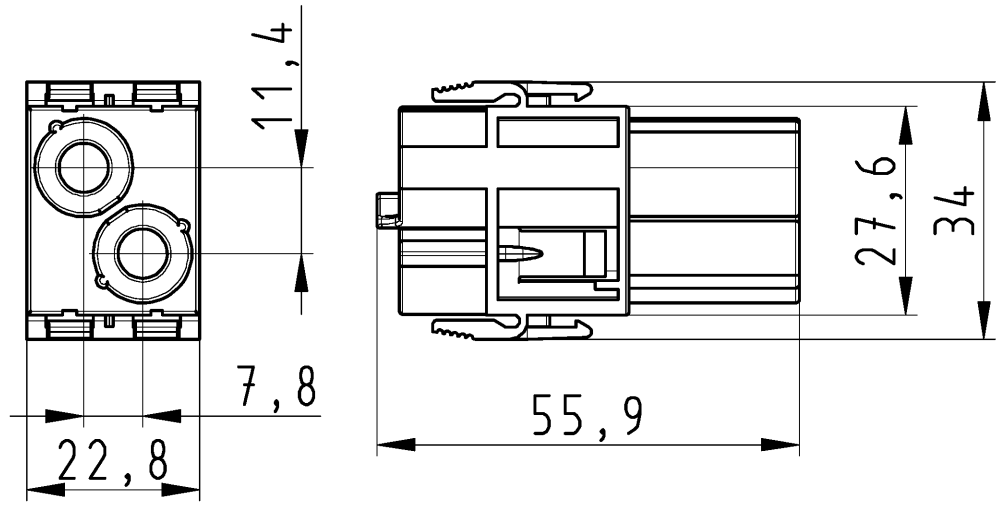
D

E

F

These dimensions will be especially checked at delivery
 Only inspection dimensions
 With /E marked dimensions are only valid for internal use

Diese Maße werden bei Abnahme besonders geprüft
 Ausschließlich Prüfmaße
 Mit /E gekennzeichnete Maße sind nur für interne Zwecke gültig



78.006.0253.0	FLE BUC 2 35 1
Bestellnummer /Order number	Typ /Type

Weitere Daten siehe KATALOG oder eKatalog.
Additional data see CATALOG or eCatalog.

www.wieland-electric.com
eshop.wieland-electric.com

Tolerierung Size ISO 14405(E)/Tolerance system Size ISO 14405(E).
 (This ISO-standard describes the envelope principle. According to the envelope principle the deviations of form and parallelism are limited by the size tolerances).

ja/yes Stoffverbots- und Deklarationsliste nach WN 5020.010 ist einzuhalten.
 Conformity with Wieland document WN 5020.010 e (list of prohibited / declarable hazardous substances) to be declared!

Freitoleranz nach DIN ISO 2768 - m

CAD - Zeichnung, keine manuellen Änderungen
 CAD - drawing, no manual modifications allowed

1.Verwendung: -
 First Use:

Blatt: 1 von 1
 Sheet: 1 of 1

	/		Werkstoff/Material	2014	Tag/Date	Name	Zeichnung Nr./Drawing No.	Index
	/			gezeichnet drawn	13.03.	Treschan		
	/		Maßstab/Scale	geprüft checked	-	-		
	/		1:1	Normgepr. Stand. check	-	-		
Maße in mm/Dimensions are in mm								

Vol. mm³ Of1./Surf. mm² Ersatz für/Replacement for: -

	/		Type	Benennung/Title	
	/		wieland	BUCHSENE INSATZ	
Index	Datum / Blatt Date / Sheet			2-polig, Crimpanschluss female insert, 2-poles, crimp connection	
Änderung/Revision			www.wieland-electric.com		

Weitergabe sowie Vervielfältigung dieses Dokuments, Verwertung und Mitteilung seines Inhalts sind verboten, soweit nicht ausdrücklich gestattet. Die Reproduktion, Distribution und Utilization of this document as well as the communication of its contents to others without express authorization is prohibited.