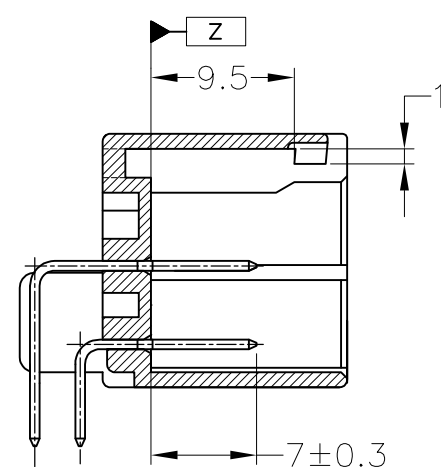
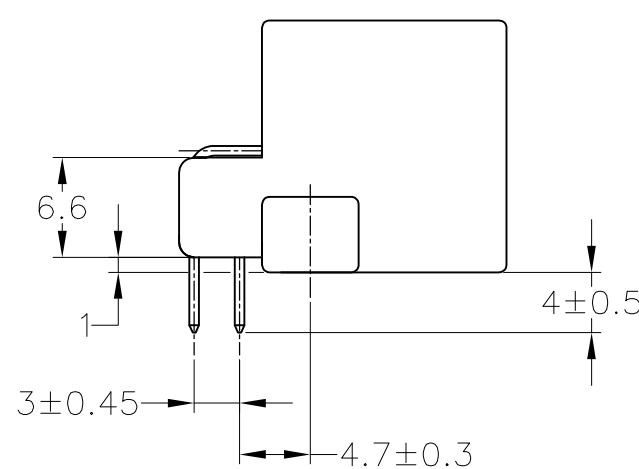
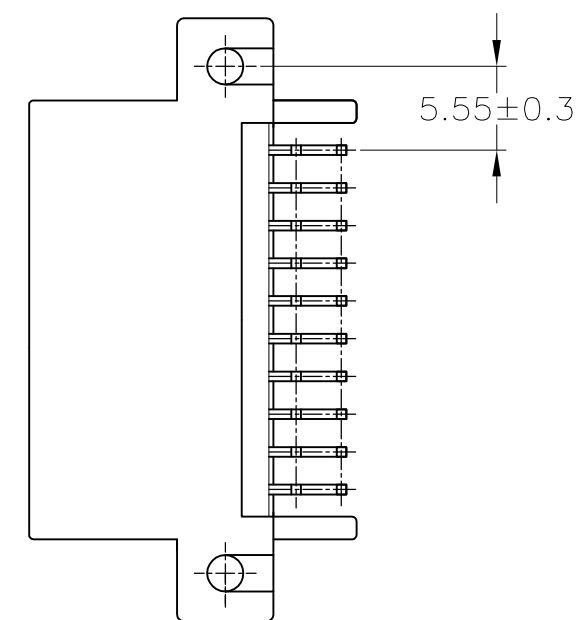
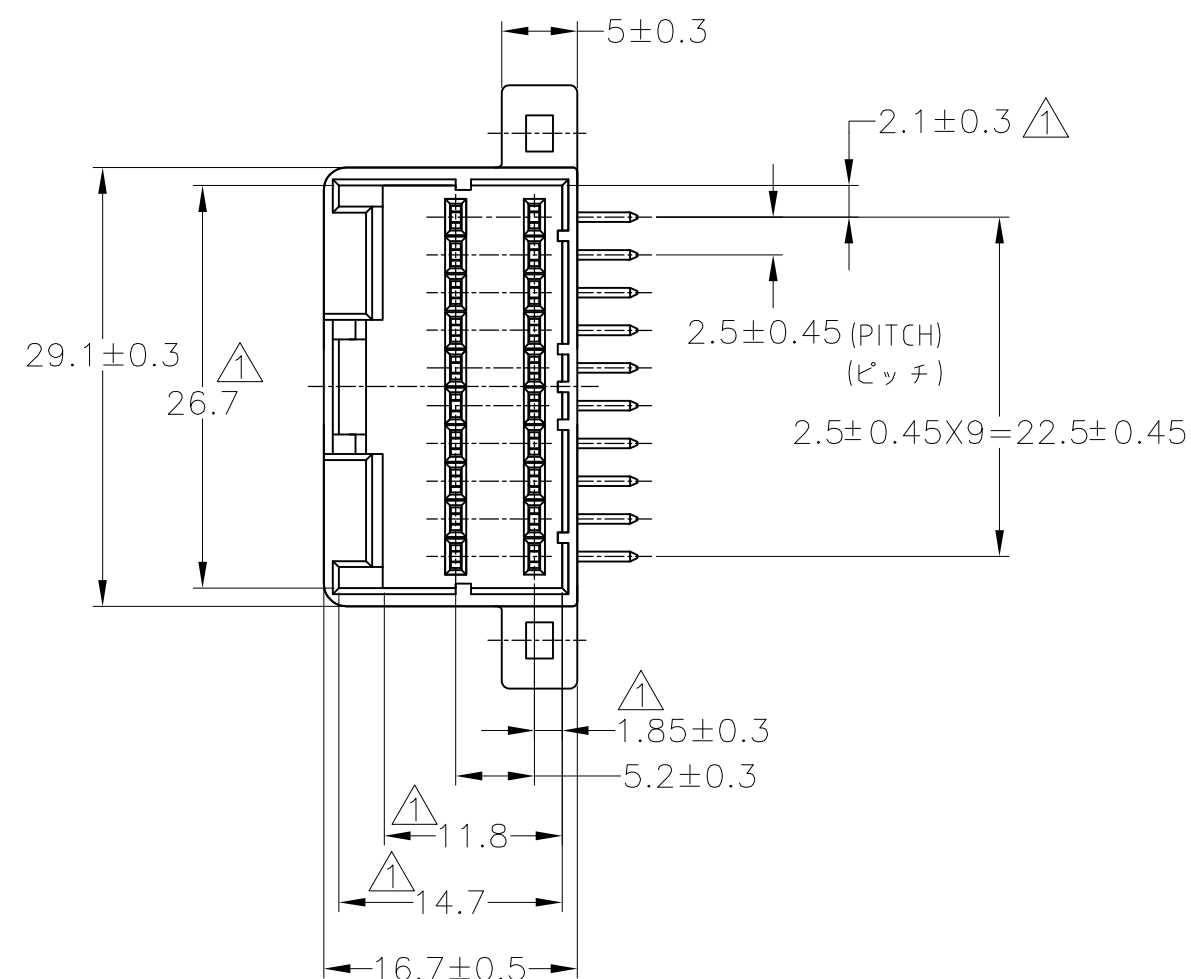
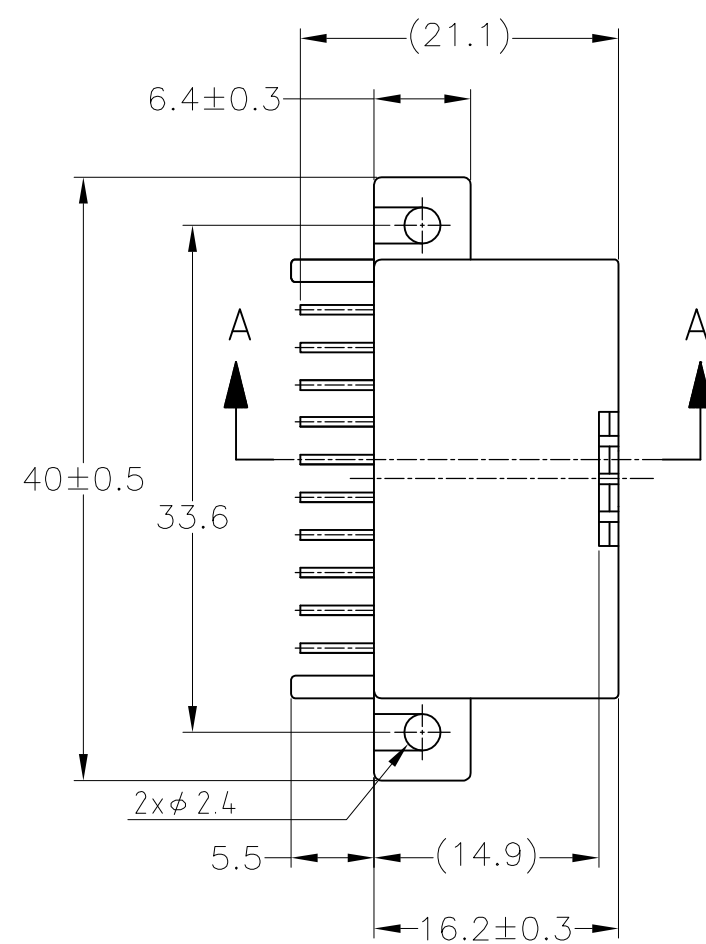


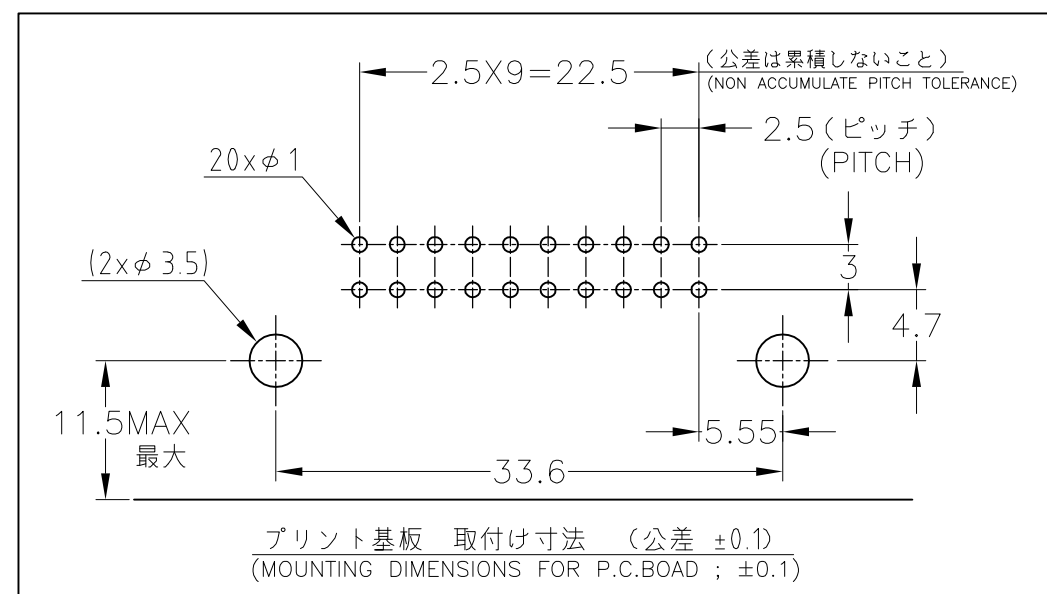
THIS DRAWING IS UNPUBLISHED. RELEASED FOR PUBLICATION  
 © COPYRIGHT - By - ALL RIGHTS RESERVED.

LOC		DIST		REVISIONS			
P	LTR	DESCRIPTION		DATE	DWN	APVD	
	G5	REVISED		ECR-15-008937	15JUN15	KF RK	



A-A

- △ [Z] 面より2mmの範囲で測定
  - 2. 適用プリント基板厚 : 1.6mm
  - 3. かん合相手ハウジング型番 : 174047
  - 4. 推奨取付けネジ : JIS B1115, B1122 タッピンねじ、なべ2種  
呼び径3、長さ7mm以上(締付トルク : 0.39N-m以下)
- △ TO BE MEASURED WITHIN 2mm FROM [Z]
  - 2 APPLICABLE P. C. BOARD THICKNESS: 1.6mm
  - 3 THE MATING PLUG HOUSING PART NUMBER: 174047
  - 4 RECOMMENDED MOUNTING SCREW: 3mmDIA, 7mmLENGTH(MIN.)  
PAN HEAD, CLASS 2 TAPPING SCREW SPECIFIED IN JIS B1115,  
B1122 (TIGHTENING TORQUE: 0.39N-m MAX.)



SELECTIVE-TIN (MATTE)	SELECTIVE GOLD	BLACK	1-5174055-2
TIN-LEAD	SELECTIVE GOLD	BLUE	1-174055-5
TIN-LEAD	SELECTIVE GOLD	BLACK	1-174055-2
	PRE-TIN	YELLOW	174055-7
	PRE-TIN	BLUE	174055-5
	PRE-TIN	GREEN	174055-4
SELECTIVE-TIN (MATTE)	SELECTIVE-TIN (BRIGHT)	BLACK	174055-3
	PRE-TIN	BLACK	174055-2
OBSELETE	SELECTIVE-TIN	PRE-TIN	BLACK
SOLDERING SIDE 半田付け部	CONTACT SIDE 接触部側	COLOR 色	PART NUMBER 製品型番
CONTACT FINISH コンタクト仕上			

THIS DRAWING IS A CONTROLLED DOCUMENT.

DWN	T.SHINOHARA	15FEB05
CHK	K.BETSUI	15FEB05
APVD	K.BETSUI	15FEB05
PRODUCT SPEC	製品規格	
APPLICATION SPEC	取付適用規格	
WEIGHT	6.1 g	
CUSTOMER DRAWING	SCALE 2:1	SHEET 1 of 1

TE Connectivity

040 SERIES MULTI-LOCK I/O CONNECTOR  
20POSITION CAP HOUSING ASSEMBLY  
(HORIZONTAL TYPE)

SIZE A2 CAGE CODE 00779 DRAWING NO. C=174055 RESTRICTED TO

MATERIAL HOUSING; PBT CONTACT; BRASS

FINISH 仕上 SEE TABLE

REVISIONS: 15FEB05, 15FEB05, 15FEB05

REV G5