

## Data sheet

Commercial Art.No.: 05.544.1929.8

Male contact D 3,6- 2,5 QMM AG

Male contact, turned Ø 3,6 mm, 2,5 mm<sup>2</sup>, AWG 14, Ag



Commercial Art.No.	05.544.1929.8
EAN	4015573681736
Order Unit	100

## Technical data

### General

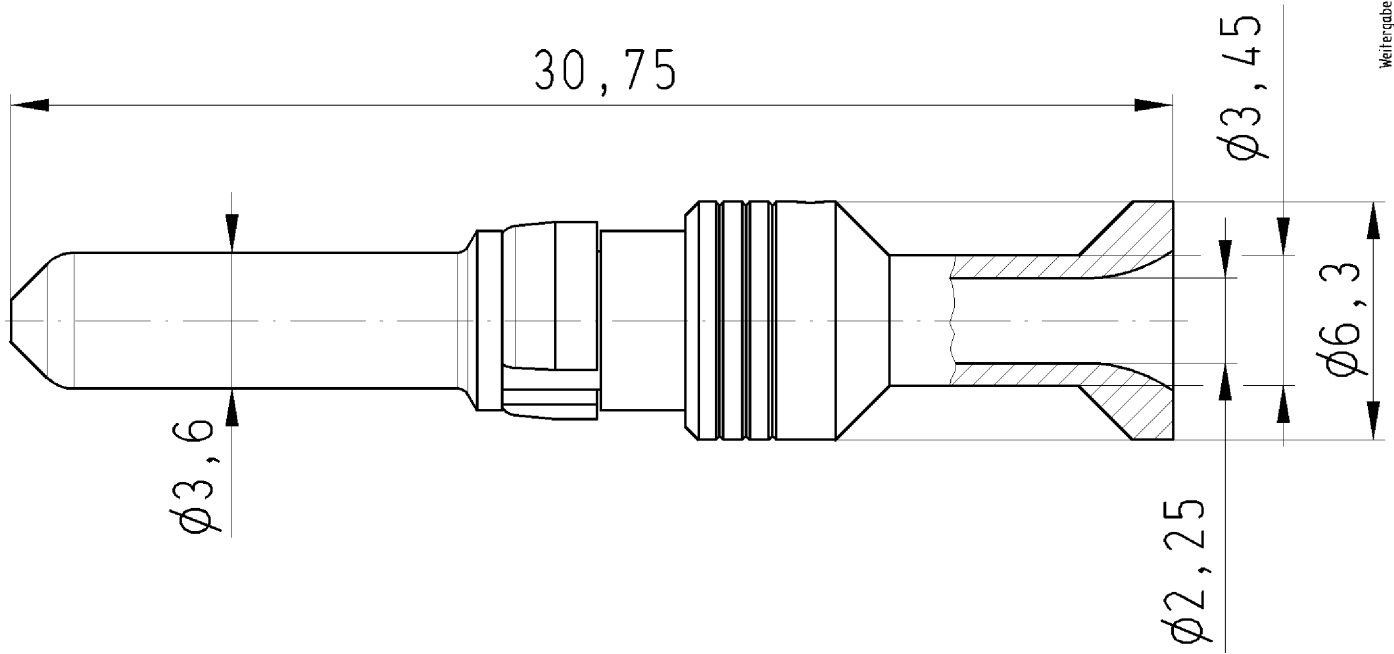
Wire strip length	10 mm
Min. conductor cross section flexible wire	2.5 mm <sup>2</sup>
Max. conductor cross section flexible wire	2.5 mm <sup>2</sup>
Min. UL/CSA wire diameter flexible wire	14 AWG
Max. UL/CSA wire diameter flexible wire	14 AWG
Connection type	Crimp
Material	Other
Massive contact	yes
Contact pin diameter	3.6 mm
Inflammability class of insulation material acc. with UL94	Other
Contact resistance	≤ 1 mOhm

### Classification

ECLASS 11	
ECLASS 8.1	27440204
ETIM 7.0	EC000796
ETIM 6.0	EC000796
ETIM 5.0	EC000796
ETIM 4.0	EC000796
ETIM 3.0	EC000796

### Product compliance

ROHS conformity status	Compliant/Exempted
ROHS exceptions	III-6(c)
REACH-SVHC conformity status	Duty-To-Declare
REACH-SVHC substances	Lead
REACH-SVHC CAS numbers	7439-92-1



Weitergabe sowie Vervielfältigung dieses Dokuments, Verwertung und Mitteilung seines Inhalts sind verboten, soweit nicht ausdrücklich gestattet. The reproduction, distribution and utilization of this document as well as the communication of its contents to others without express authorization is prohibited.

Steckerkontakt  
05.544.1929.8

Zeichnungsnummer  
05.544.1929.8.010W  
Steckerkontakt

20.08.2008  
Hoffmann Angelika  
M 5:1