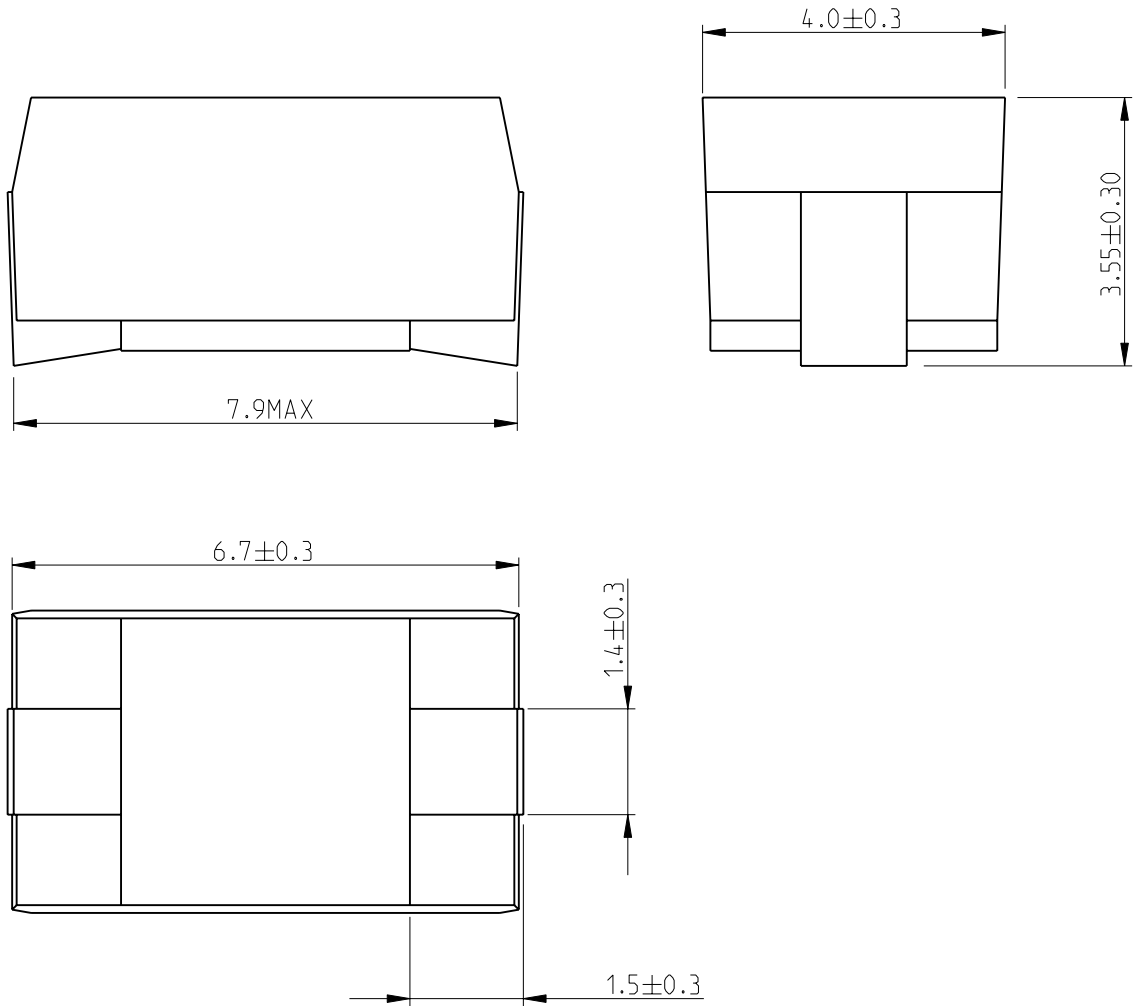
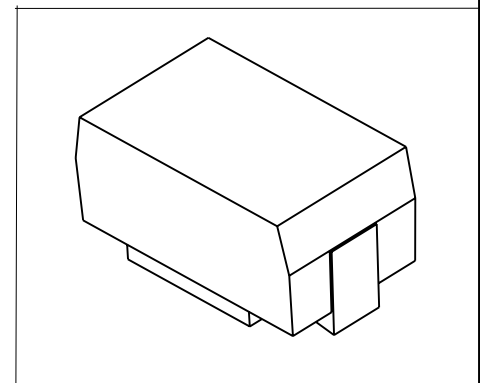
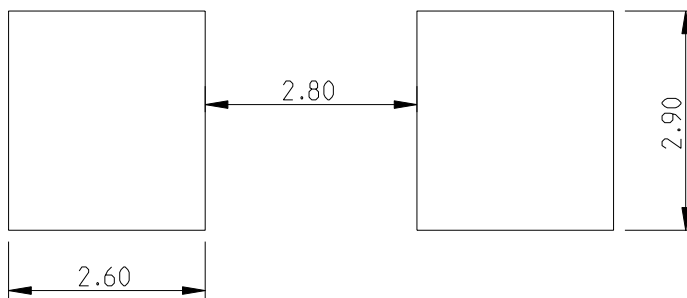


LOC	DIST	REVISIONS			
P	LTR	DESCRIPTION	DATE	DWN	APVD
E	B	BA	NEW RELEASE	27AUG2010	PT St.P

FOR FURTHER INFORMATION SEE DATA SHEET FOR
SERIES SM - SMD MOULDED POWER RESISTOR



RECOMMENDED LAND PATTERN



2008

RELEASED FOR PUBLICATION

THIS DRAWING IS UNPUBLISHED.

© COPYRIGHT 2008 BY TYCO ELECTRONICS CORPORATION. ALL RIGHTS RESERVED.

DIMENSIONS:		DWN	27AUG2010	MATERIAL	FINISH	
mm		PARUSURAM.T		-	-	
TOLERANCES UNLESS OTHERWISE SPECIFIED:		CHK	27AUG2010	Tyco Electronics Corporation Dorcan, Swindon, SN3 5HH		
0 PLC ±0.2		ALLAN.P				
1 PLC ±0.1		APVD	27AUG2010	NAME SMD MOULDED POWER RESISTOR SERIES SM_2		
2 PLC ±		STEPHEN.P				
3 PLC ±		PRODUCT SPEC	-	SIZE	CAGE CODE	DRAWING NO
4 PLC ±		APPLICATION SPEC	-	A 4	00779	©=1676966
ANGLES ±5°		WEIGHT	-	RESTRICTED TO		-
		CUSTOMER DRAWING		SCALE	SHEET	OF
				5:1	1	1
						REV
						BA