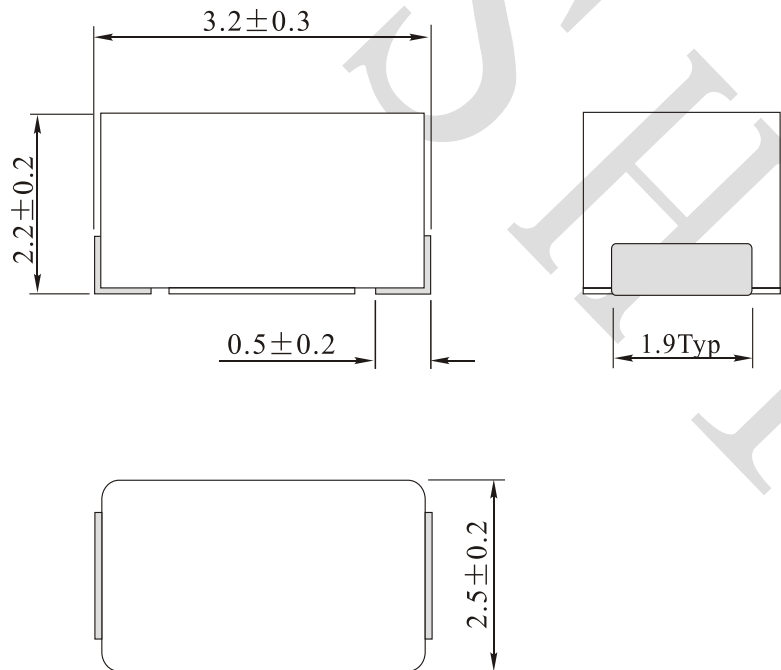
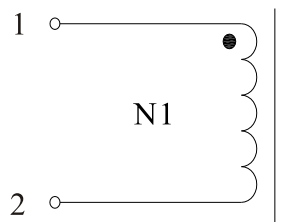


Rev.	Description	Date
A0	New release	2022.12.05

1. PHYSICAL CHARACTERISTICS (mm)



2. ELECTRONICAL SCHEMATIC



3. ELECTRONICAL SPECIFICATIONS

L: 10uH ± 10% @ 1MHz, 0.2V

DCR: 1.6 Ω ± 20%

Q: 27 Min @ 2.52MHz

SRF: 25MHz Min

IDC: 180mA (Inductance drop 10% Max)

Operating temperature: -40°C to +125°C (Including temp. rise)

Storage temperature: -40°C to +105°C

Test Instrument:

L: HP4284A

RDC: HM2540

Note:

1. Solderability: leads shall meet MIL-STD-202, Method 208D for solderability.
2. Flammability: UL94V-0
3. ASTM oxygen index: >28%

NAME:	Surface mount wound molded chip inductors		
CUSTOMER P/N:	B82422A1103K100	DATE:	2022-12-05
SHINHOM P/N:	AISM1210-100K-0.18A	REV: A0	PAGE
DRAWN BY	CHECKED BY	APPROVE BY	



SHINHOM
SHAANXISHINHOM ENTERPRISE CO LTD

The Document property belong to SHINHOM & is not allowed to be duplicated without authorization