

Features

- High gain bandwidth : 1.1MHz
- Rail-to-rail input and output 0.8mV typical
 V_{OS}
- Input voltage range : -0.1V to +5.6V with
 $V_S = 5.5V$
- Supply range : +2.5V to +5.5V
- Shutdown : CBMV321S/CBMV358S
- Specified up to +125°C
- Micro size packages : SOT23-5, SOT23-6

Application

- Sensors
- Photo diode Amplification
- Active Filters
- Test Equipment
- Driving A/D Converters

Description

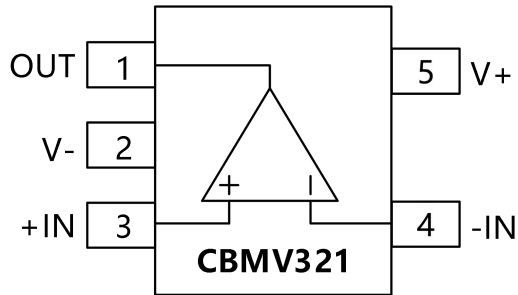
The CBMV321, CBMV358, CBMV324, CBMV321S, CBMV358S families of products offer low voltage operation and rail-to-rail input and output, as well as excellent speed/power consumption ratio, providing an excellent bandwidth (1.1MHz) and slew rate of 0.5V/us. The op-amps are unity gain stable and feature an ultra-low input bias current.

The devices are ideal for sensor interfaces, active filters and portable applications. The CBMV321S, CBMV358S include a shutdown mode. Under logic control, the amplifiers can be switched from normal operation to a standby current that is less than 1uA. The CBMV321, CBMV358, CBMV324, CBMV321S, CBMV358S families of operational amplifiers are specified at the full temperature range of -40°C to +125°C under single or dual power supplies of 2.5V to 5.5V.

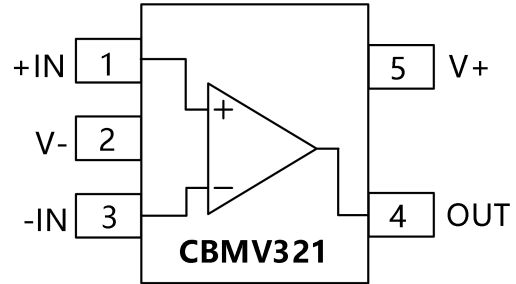
Catalog

Features.....	1
Application.....	1
Description.....	1
Catalog.....	2
Pin Configurations.....	3
Absolute Maximum Ratings	5
Electrical Characteristics.....	6
Typical Characteristics.....	8
Application Notes.....	10
CBMV321S/CBMV358S Enable Function.....	10
Layout Guidelines.....	11
Instrumentation Amplifier.....	11
Package Outline Dimensions.....	12
SOT23-5.....	12
SOT23-6.....	13
MSOP-8.....	14
MSOP-10.....	15
TSSOP-14.....	16
SOIC-8(SOP8).....	17
SOIC-14(SOP14).....	18
Package/Ordering Information.....	19

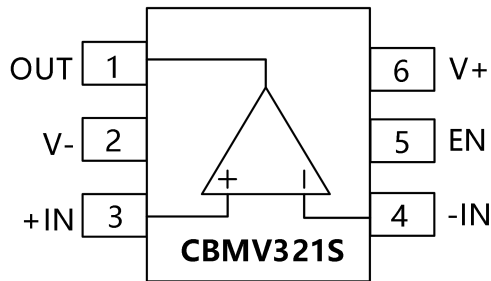
Pin Configurations



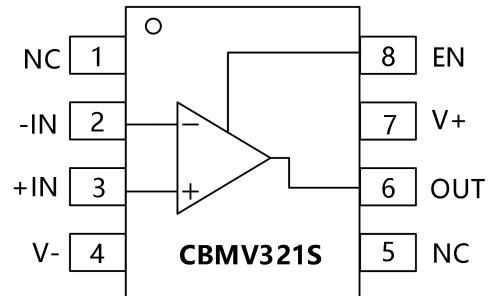
SOT23-5 (AST5)



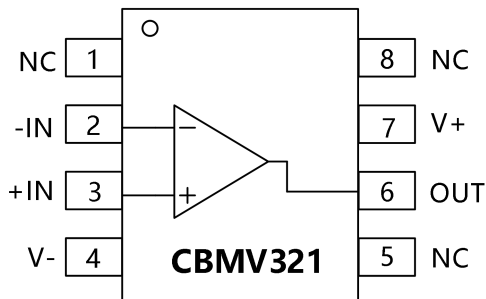
SOT23-5 (BST5)



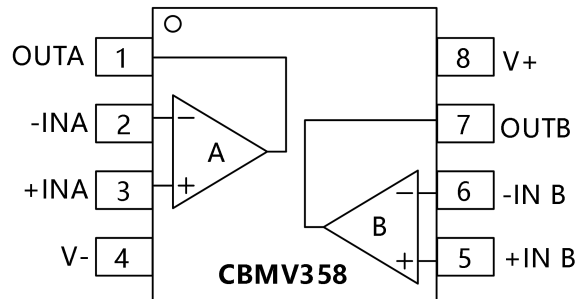
SOT23-6



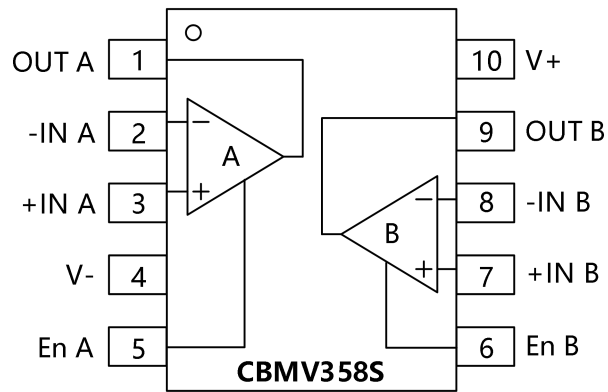
SOIC-8(SOP8)



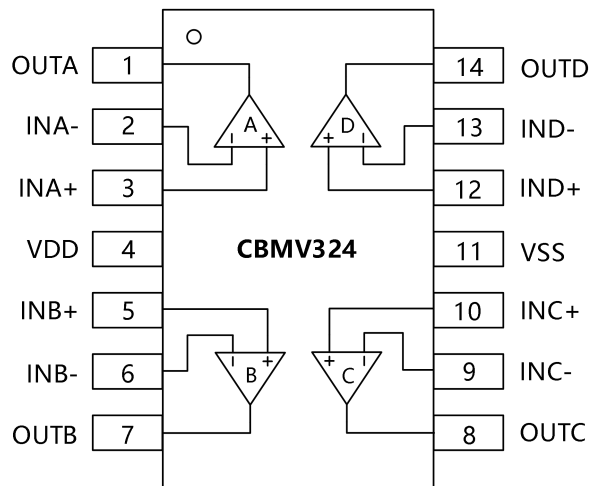
SOIC-8(SOP8),MSOP-8



SOIC-8(SOP8),MSOP-8



MSOP-10



SOIC-14(SOP14),TSSOP-14

Absolute Maximum Ratings

- ..Supply Voltage, V+ to V-..... 7.0V
- ..Input Terminals, Voltage ⁽²⁾..... - 0.5 to (V+) + 0.5V
Current ⁽²⁾..... ±10mA
- ..Storage Temperature..... -65°C to +150°C
- ..Operating Temperature..... -40°C to +125°C
- ..Junction Temperature..... 150°C
- ..Package Thermal Resistance @ TA= +25°C
- ..SOT23-5, SOT23-6..... 200°C/W
- ..MSOP-10, SOIC-8, TSSOP-8..... 150°C/W
- ..SOIC-14, TSSOP-14..... 100°C/W
- ..Lead Temperature (Soldering, 10s)..... 260°C ESD Susceptibility
- ..HBM..... 5000V
- ..MM..... 400V

1.Stresses above these ratings may cause permanent damage. Exposure to absolute maximum conditions for extended periods may degrade device reliability. These are stress ratings only, and functional operation of the device at these or any other conditions beyond those specified is not implied.

2.Input terminals are diode-clamped to the power-supply rails. Input signals that can swing more than 0.5V beyond the supply rails should be current-limited to 10mA or less.



ESD SENSITIVITY CAUTION

ESD damage can range from subtle performance degradation to complete device failure. Precision integrated circuits may be more susceptible to damage because very small parametric changes could cause the device not to meet its published specifications.

Electrical Characteristics

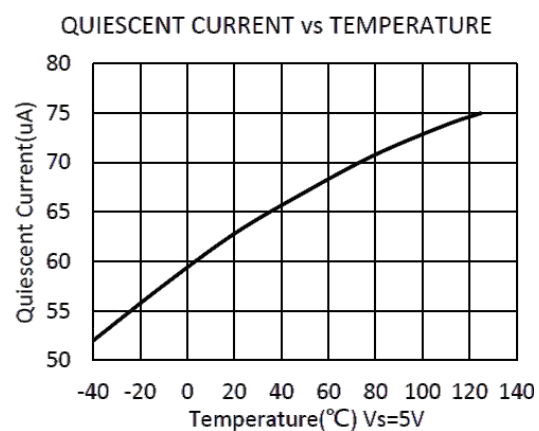
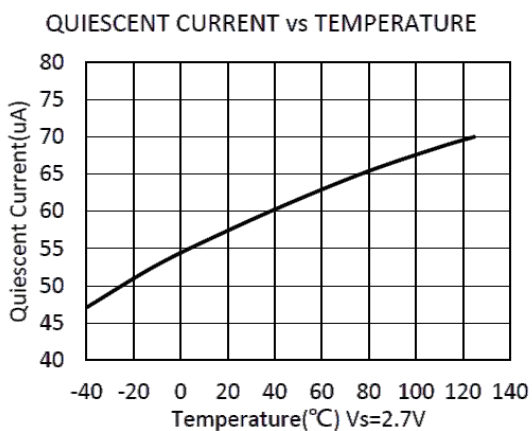
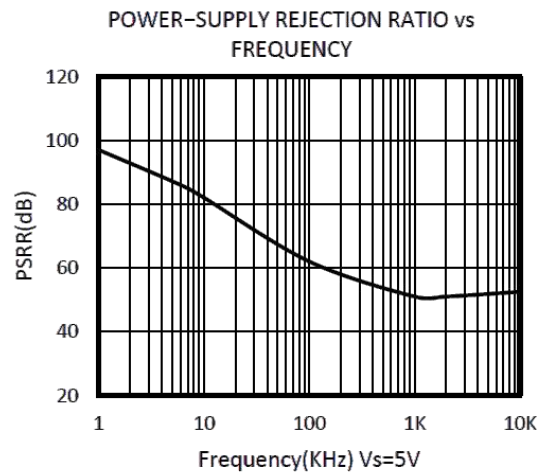
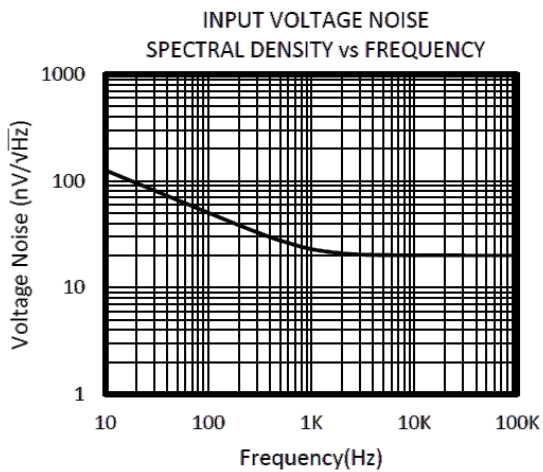
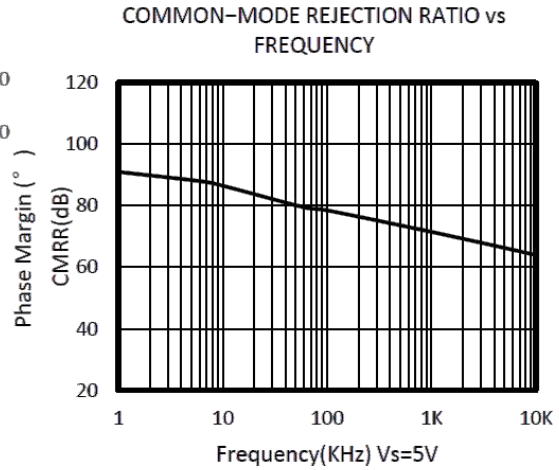
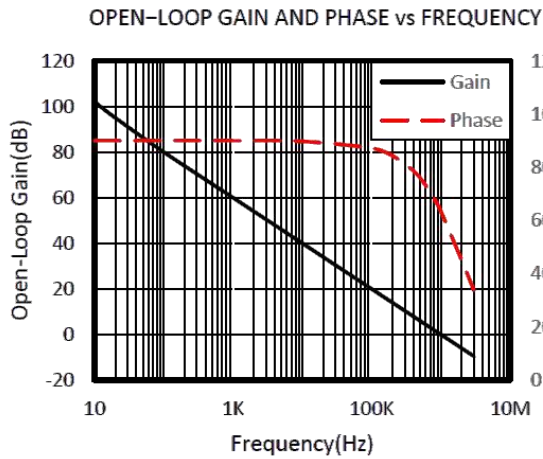
(At $T_A = +25^\circ\text{C}$, $V_S = 5\text{V}$, $R_L = 10\text{k}\Omega$ connected to $V_S/2$, and $V_{\text{OUT}} = V_S/2$, unless otherwise noted.)

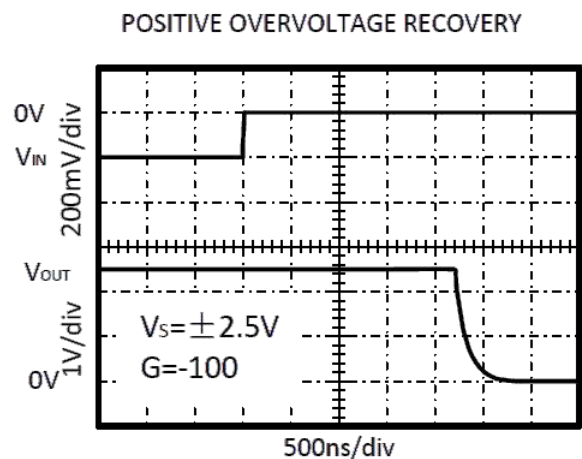
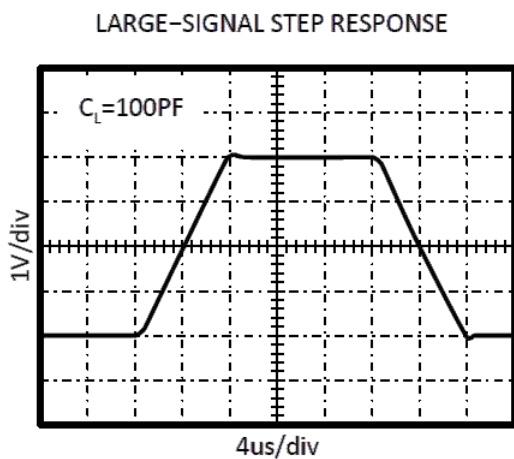
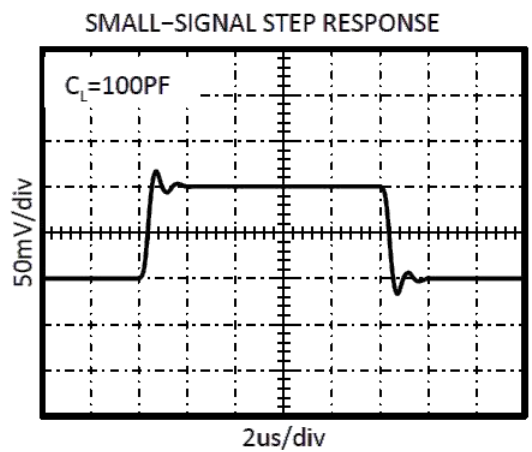
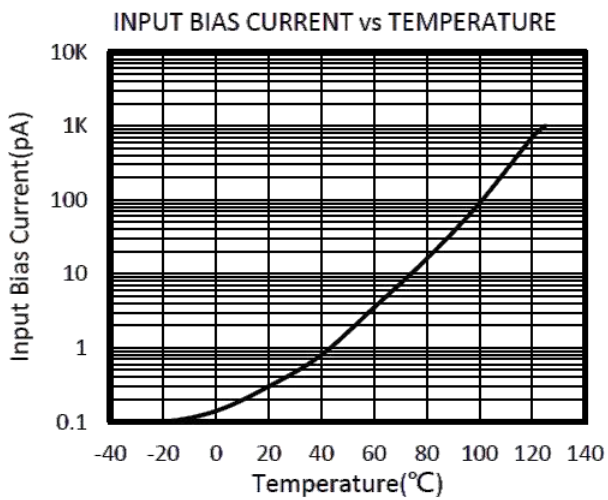
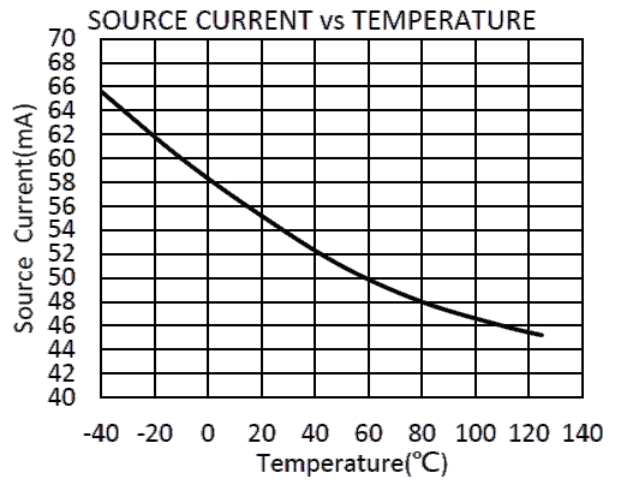
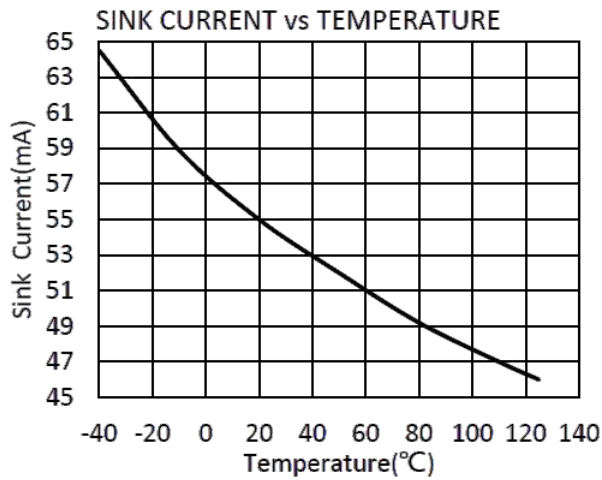
PARAMETER		CONDITIONS	T_J	CBMV321,CBMV358,CBMV324,CBMV321S,CBMV358S			UNIT
				MIN	TYP	MAX	
POWER SUPPLY							
V_S	Operating Voltage Range		25°C	2.5		5.5	V
I_Q	Quiescent Current/Amplifier		25°C		60	80	uA
PSRR	Power-Supply Rejection Ratio	$V_S = 2.5\text{V to } 5.5\text{V}$ $V_{\text{CM}} = (V_-) + 0.5\text{V}$	25°C	62	85		dB
			-40°C to 125°C	58			
INPUT							
V_{OS}	Input Offset Voltage		25°C		0.8	4.5	mV
$V_{\text{OS TC}}$	Input Offset Voltage Average Drift	-40°C to 125°C			2.9		uV/°C
I_B	Input Bias Current		25°C		1	10	pA
I_{OS}	Input Offset Current		25°C		1	10	pA
V_{CM}	Common-Mode Voltage Range	$V_S = 5.5\text{V}$	25°C	-0.1		5.6	V
CMRR	Common-Mode Rejection Ratio	$V_S = 5.5\text{V}$ $V_{\text{CM}} = -0.1\text{V to } 4\text{V}$	25°C	65	80		dB
			-40°C to 125°C	62			
			25°C	57	75		
			-40°C to 125°C	55			
OUTPUT							
A_{OL}	Open-Loop Voltage Gain	$R_L = 2\text{k}\Omega$ $V_O = 0.15\text{V to } 4.85\text{V}$	25°C	75	95		dB
			-40°C to 125°C	72			
			25°C	85	100		
			-40°C to 125°C	82			
	Output Swing From Rail	$R_L = 2\text{k}\Omega$ $R_L = 10\text{k}\Omega$	25°C		26		mV
					8		
I_{OUT}	Output Short-Circuit Current		25°C		54		mA

FREQUENCY RESPONSE							
SR	Slew Rate		25°C		0.5		V/us
GBP	Gain-Bandwidth Product		25°C		1.1		MHz
PM	Phase Margin		25°C		64		°
ts	Setting Time,0.1%				1.3		us
	Overload Recovery Time	$V_{IN} \cdot Gain \geq V_S$			2.3		us
NOISE							
en	Input Voltage Noise Density	f = 1KHz	25°C		23		nV/\sqrt{Hz}
		f = 10KHz	25°C		20		nV/\sqrt{Hz}
ENABLE/SHUTDOWN(CBMV321S,CBMV358S)							
$I_{Q(OFF)}$	Supply Current in Shutdown		25°C		<1		uA
t_{OFF}			25°C		3		us
t_{ON}			25°C		20		us
V_L	Shut Down		25°C	V-		(V-)+0.8	V
V_H	Amplifier Is Active		25°C	(V-)+2		V+	V

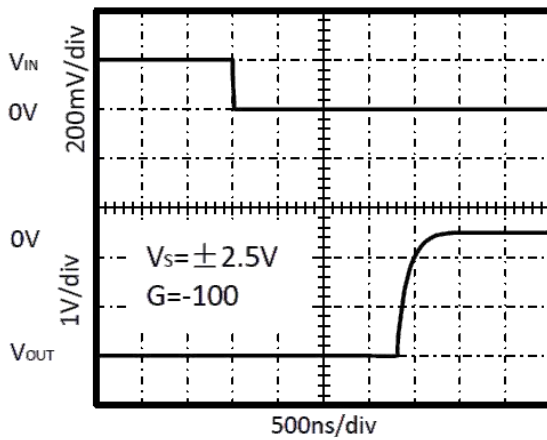
Typical Characteristics

At $T_A = +25^\circ\text{C}$, $V_S = 5\text{V}$, $R_L = 10\text{k}\Omega$ connected to $V_S/2$, $V_{OUT} = V_S/2$, unless otherwise noted.

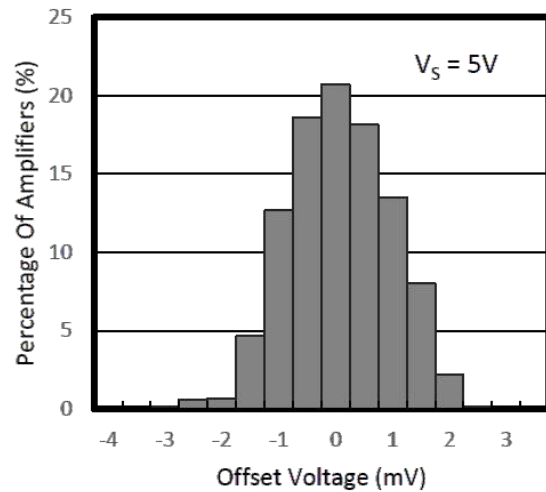




Negative Overvoltage Recovery



Offset Voltage Production Distribution



Application Notes

The CBMV321, CBMV358, CBMV324, CBMV321S, CBMV358S are high precision, rail-to-rail operational amplifiers that can be run from a single-supply voltage 2.5V to 5.5V ($\pm 1.25V$ to $\pm 2.75V$). Supply voltages higher than 7V (absolute maximum) can permanently damage the amplifier.

Rail-to-rail input and output swing significantly increases dynamic range, especially in low-supply applications.

Good layout practice mandates use of a 0.1uF capacitor place closely across the supply pins.

CBMV321S/CBMV358S Enable Function

The CBMV321S/CBMV358S includes a shutdown mode. Under logic control, the amplifiers can be switched from normal mode to a standby current of 1uA. When the Enable pin is connected to high, the amplifier is active. Connecting Enable low disables the amplifier, and places the amplifier, and place the output in a high-impedance state.

Layout Guidelines

Attention to good layout practices is always recommended. Keep traces short. When possible, use a PCB ground plane with surface-mount components placed as close to the device pins as possible. Place a 0.1uF capacitor closely across the supply pins.

These guidelines should be applied throughout the analog circuit to improve performance and provide benefits such as reducing the EMI susceptibility.

Instrumentation Amplifier

In the three-op amp, instrumentation amplifier configuration shown in Figure2.

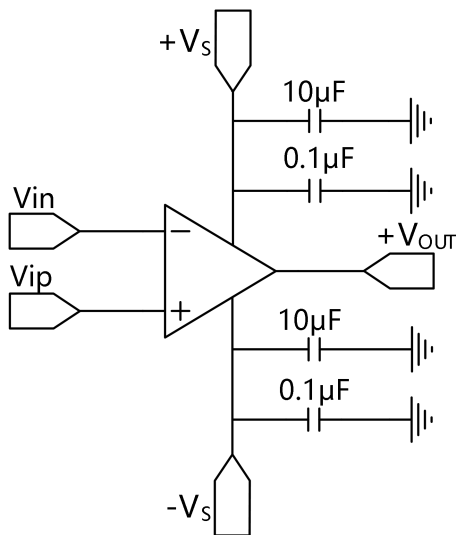


Figure 1. Amplifier with Bypass Capacitors

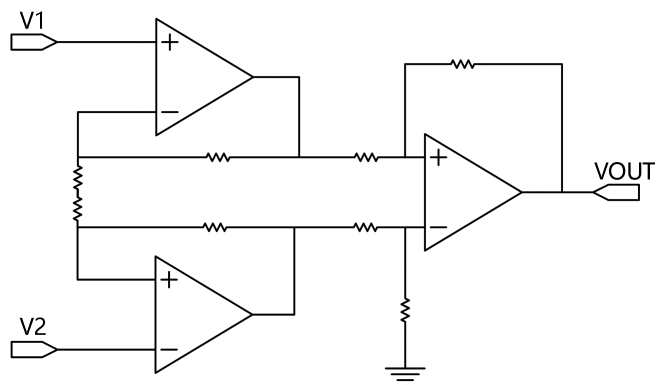
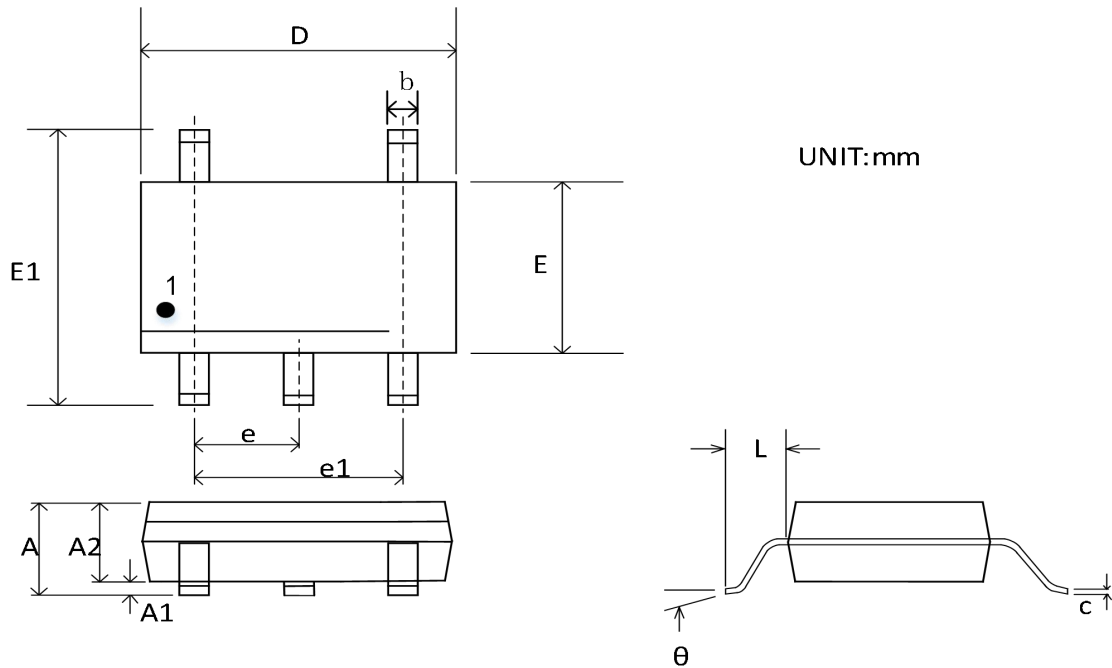


Figure2. Amplifier instrumentation amplifier

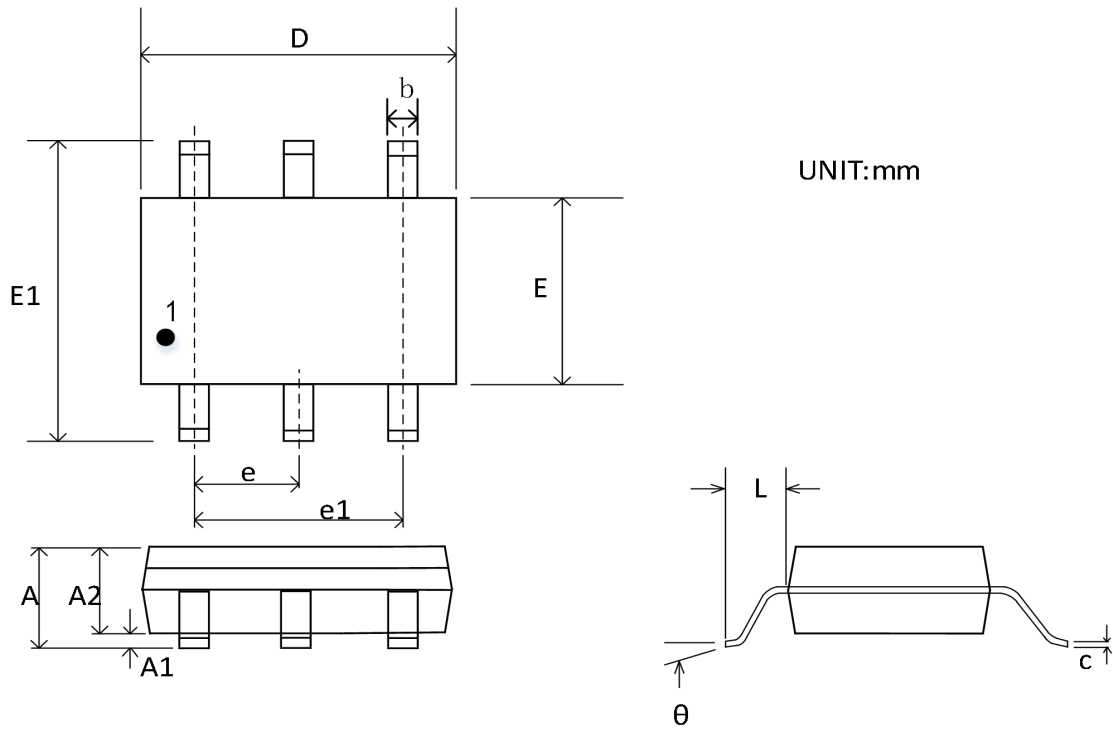
Package Outline Dimensions

SOT23-5



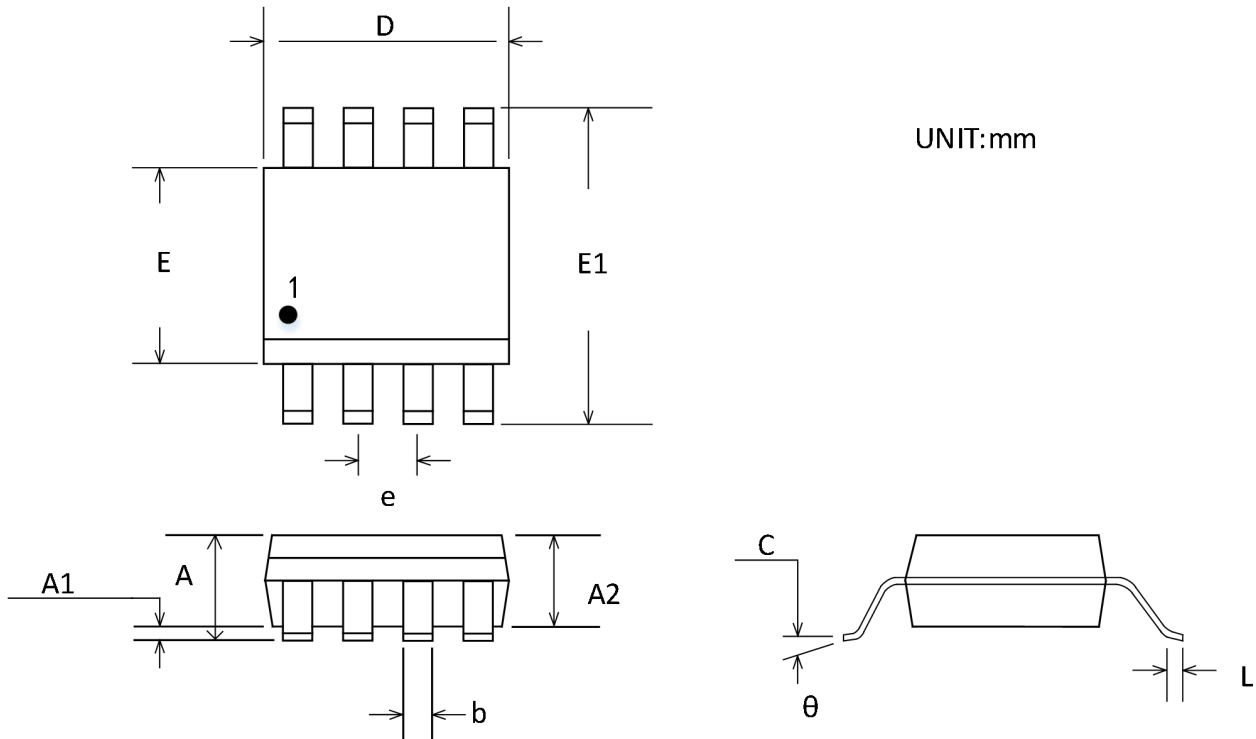
Symbol	Dimensions In Millimeters		Dimensions Inches	
	Min	Max	Min	Max
A	1.050	1.250	0.041	0.049
A1	0.000	0.100	0.000	0.004
A2	1.050	1.150	0.041	0.045
b	0.300	0.500	0.012	0.020
c	0.100	0.200	0.004	0.008
D	2.820	3.020	0.111	0.119
E	1.500	1.700	0.059	0.067
E1	2.650	2.950	0.104	0.116
e	0.950 BSC		0.037 BSC	
e1	1.800	2.000	0.071	0.079
L	0.300	0.600	0.012	0.024
θ	0°	8°	0°	8°

SOT23-6



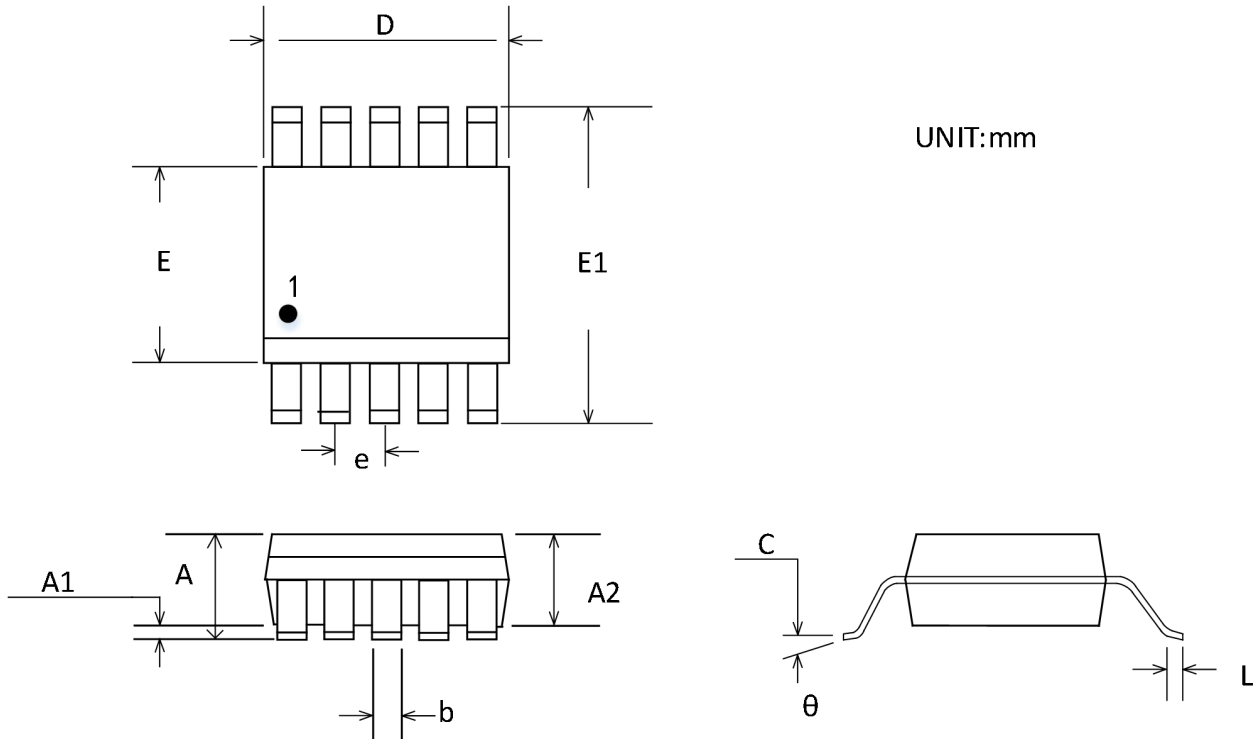
Symbol	Dimensions In Millimeters		Dimensions Inches	
	Min	Max	Min	Max
A	1.050	1.250	0.041	0.049
A1	0.000	0.100	0.000	0.004
A2	1.050	1.150	0.041	0.045
b	0.300	0.500	0.012	0.020
c	0.100	0.200	0.004	0.008
D	2.820	3.020	0.111	0.119
E	1.500	1.700	0.059	0.067
E1	2.650	2.950	0.104	0.116
e	0.950 BSC		0.037 BSC	
e1	1.800	2.000	0.071	0.079
L	0.300	0.600	0.012	0.024
θ	0°	8°	0°	8°

MSOP-8



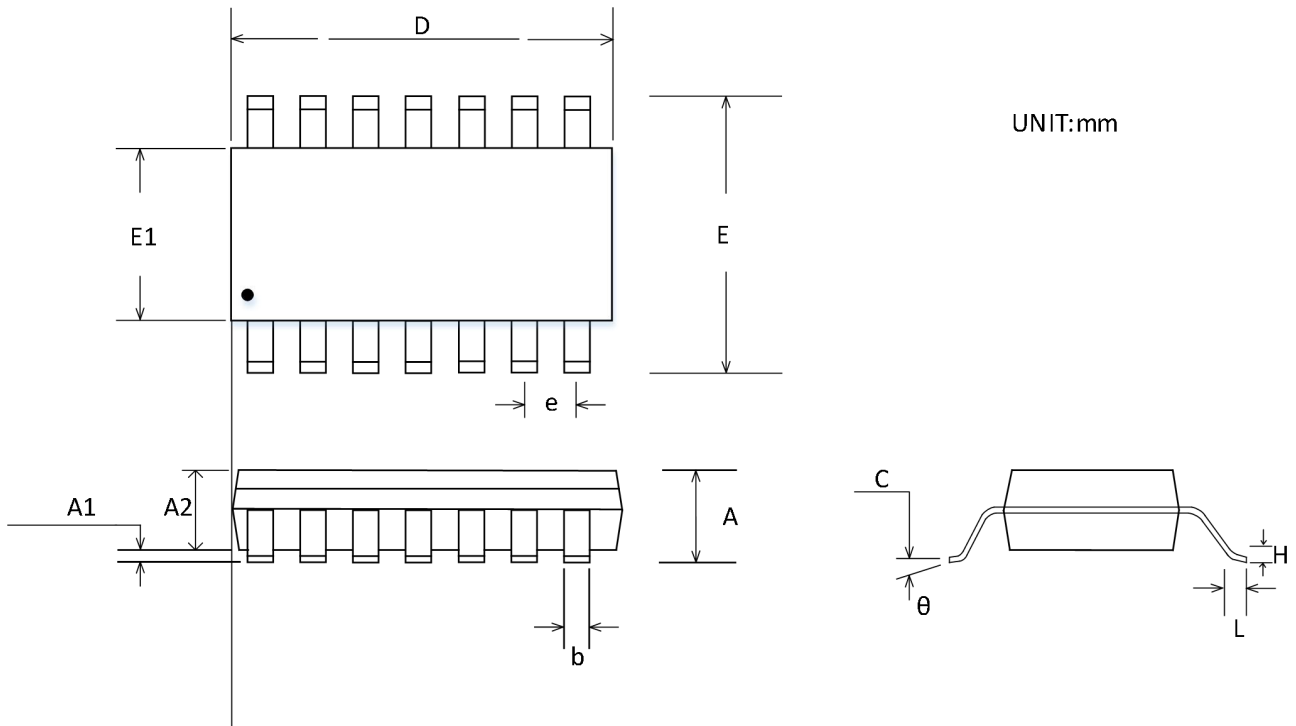
Symbol	Dimensions In Millimeters		Dimensions Inches	
	Min	Max	Min	Max
A	0.820	1.100	0.032	0.043
A1	0.020	0.150	0.001	0.006
A2	0.750	0.950	0.030	0.037
b	0.250	0.380	0.010	0.015
c	0.090	0.230	0.004	0.009
D	2.900	3.100	0.114	0.122
E	2.900	3.100	0.114	0.122
E1	4.750	5.050	0.187	0.199
e	0.650 BSC		0.026 BSC	
L	0.400	0.800	0.016	0.031
θ	0°	6°	0°	6°

MSOP-10



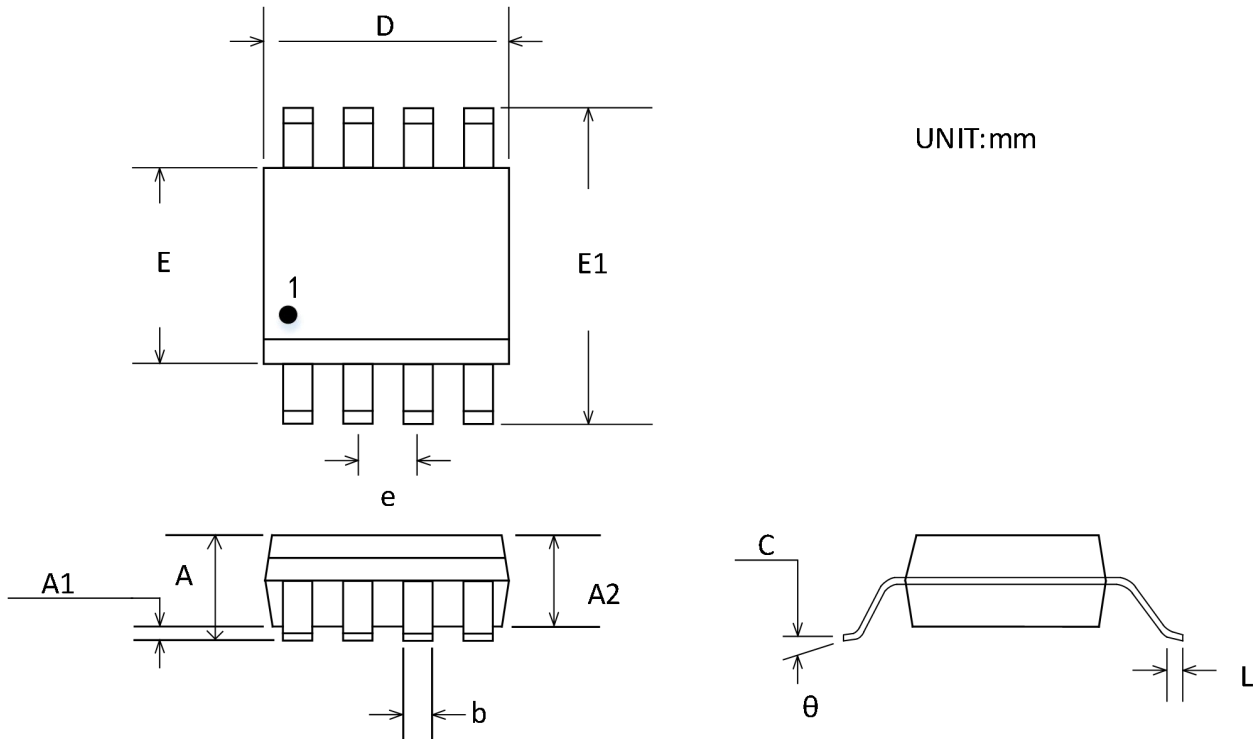
Symbol	Dimensions In Millimeters		Dimensions Inches	
	Min	Max	Min	Max
A	0.820	1.100	0.032	0.043
A1	0.020	0.150	0.001	0.006
A2	0.750	0.950	0.030	0.037
b	0.180	0.280	0.007	0.011
c	0.090	0.230	0.004	0.009
D	2.900	3.100	0.114	0.122
E	2.900	3.100	0.114	0.122
E1	4.750	5.050	0.187	0.199
e	0.50 BSC		0.020 BSC	
L	0.400	0.800	0.016	0.031
θ	0°	6°	0°	6°

TSSOP-14



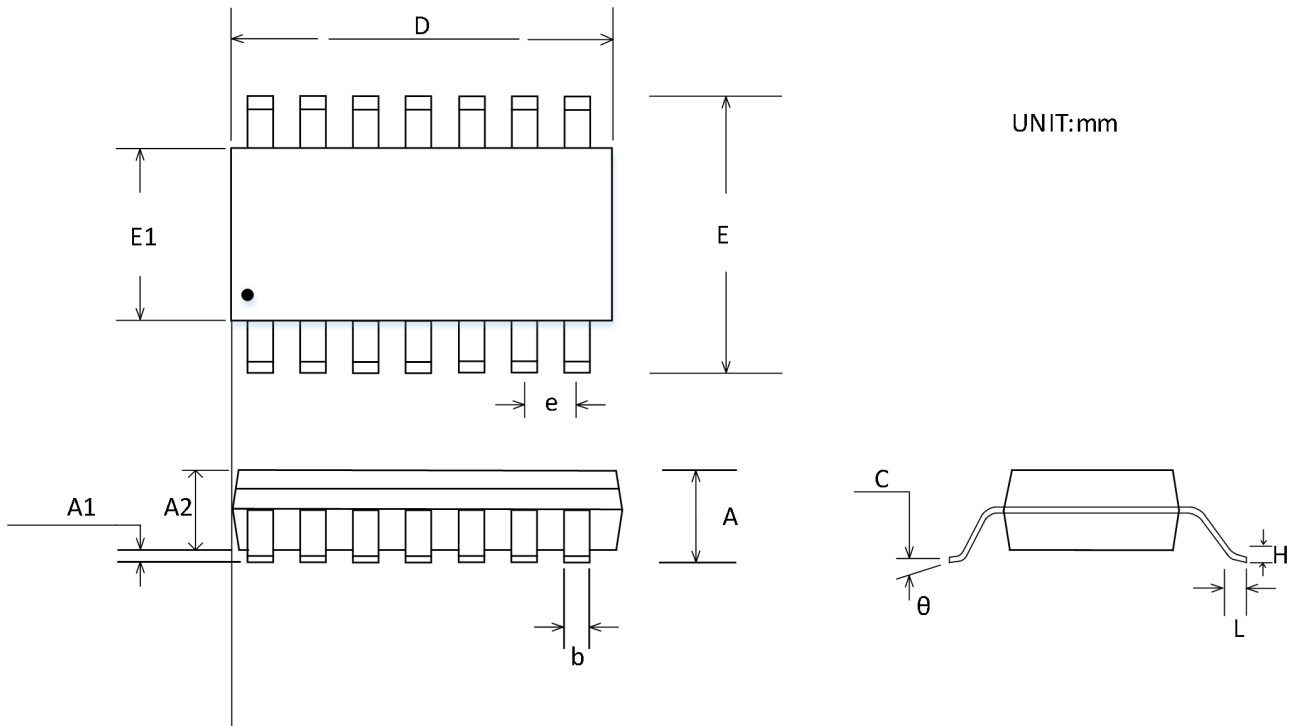
Symbol	Dimensions In Millimeters		Dimensions Inches	
	Min	Max	Min	Max
A		1.200		0.047
A1	0.050	0.150	0.002	0.006
A2	0.800	1.050	0.031	0.041
b	0.190	0.300	0.007	0.012
c	0.090	0.200	0.004	0.008
D	4.860	5.100	0.191	0.201
E	4.300	4.500	0.169	0.177
E1	6.250	6.550	0.246	0.258
e	0.650 BSC		0.026 BSC	
L	0.500	0.700	0.020	0.028
H	0.25 TYP		0.01 TYP	
θ	1°	7°	1°	7°

SOIC-8(SOP8)



Symbol	Dimensions In Millimeters		Dimensions Inches	
	Min	Max	Min	Max
A	1.350	1.750	0.053	0.069
A1	0.100	0.250	0.004	0.010
A2	1.350	1.550	0.053	0.061
b	0.330	0.510	0.013	0.020
c	0.170	0.250	0.007	0.010
D	4.800	5.000	0.189	0.197
E	5.800	6.200	0.228	0.244
E1	3.800	4.000	0.150	0.157
e	1.270 BSC		0.050 BSC	
L	0.400	1.270	0.016	0.050
θ	0°	8°	0°	8°

SOIC-14(SOP14)



Symbol	Dimensions In Millimeters		Dimensions Inches	
	Min	Max	Min	Max
A	1.350	1.750	0.053	0.069
A1	0.100	0.250	0.004	0.010
A2	1.350	1.550	0.053	0.061
b	0.310	0.510	0.012	0.020
c	0.100	0.250	0.004	0.010
D	8.450	8.850	0.333	0.348
E	5.800	6.200	0.228	0.244
E1	3.800	4.000	0.150	0.157
e	1.270 BSC		0.050 BSC	
L	0.400	1.270	0.016	0.050
θ	0°	8°	0°	8°

Package/Ordering Information

PRODUCT TYPE	OPERATING TEMPERATURE	PACKAGE	PACKAGE MARKING	NUMBER OF PACKAGES
CBMV321AS8	-40°C~125°C	SOIC-8(SOP8)	CBMV321A	Tape and Reel, 2500
CBMV321AS8-RL	-40°C~125°C	SOIC-8(SOP8)	CBMV321A	Tape and Reel, 3000
CBMV321AS8-REEL	-40°C~125°C	SOIC-8(SOP8)	CBMV321A	Tape and Reel, 4000
CBMV321AST5	-40°C~125°C	SOT23-5	321	Tape and Reel, 3000
CBMV321BST5	-40°C~125°C	SOT23-5	321B	Tape and Reel, 3000
CBMV321AMS8	-40°C~125°C	MSOP-8	V321	Tape and Reel, 3000
CBMV321SAS8	-40°C~125°C	SOIC-8(SOP8)	CBMV321S	Tape and Reel, 2500
CBMV321SAS8-RL	-40°C~125°C	SOIC-8(SOP8)	CBMV321S	Tape and Reel, 3000
CBMV321SAS8-REEL	-40°C~125°C	SOIC-8(SOP8)	CBMV321S	Tape and Reel, 4000
CBMV321SAST6	-40°C~125°C	SOT23-6	321S	Tape and Reel, 3000
CBMV358AS8	-40°C~125°C	SOIC-8(SOP8)	CBMV358	Tape and Reel, 2500
CBMV358AS8-RL	-40°C~125°C	SOIC-8(SOP8)	CBMV358	Tape and Reel, 3000
CBMV358AS8-REEL	-40°C~125°C	SOIC-8(SOP8)	CBMV358	Tape and Reel, 4000
CBMV358AMS8	-40°C~125°C	MSOP-8	CBMV358	Tape and Reel, 3000
CBMV358AMS	-40°C~125°C	MSOP-10	CBMV358S	Tape and Reel, 3000
CBMV324AS14	-40°C~125°C	SOIC-14(SOP14)	CBMV324A	Tape and Reel, 2500
CBMV324AS14-RL	-40°C~125°C	SOIC-14(SOP14)	CBMV324A	Tape and Reel, 3000
CBMV324AS14-REEL	-40°C~125°C	SOIC-14(SOP14)	CBMV324A	Tape and Reel, 4000
CBMV324ATS14	-40°C~125°C	TSSOP-14	CBMV324A	Tape and Reel, 2500
CBMV324ATS14-RL	-40°C~125°C	TSSOP-14	CBMV324A	Tape and Reel, 3000
CBMV324ATS14-REEL	-40°C~125°C	TSSOP-14	CBMV324A	Tape and Reel, 4000