

Data sheet

Commercial Art.No.: 94.425.2003.7

Cable assembly BST14i2KFB- 50 20GN01

BST14i2 extension cable female - free end, length 2.0 m, 2 pole, coding KNX, 3 A, coding color green, strain relief color black, green, cross section 0.5 mm², cable type FB-2Y (ST) Y, fire class: Eca



Commercial Art.No.	94.425.2003.7
EAN	4015573459960
Order Unit	1

Certificates / Approvals



Technical data

General

Rated current	3 A
Rated voltage	50 V
Rated impulse voltage	0.8 kV
Pollution degree	2
Mechanical coding	yes
Lockable	self-locking (unlocking by hand)
Color of coding/ contact carrier	green
Marking of poles	1+, 2-
Color of housing inclusive strain relief	black

Model

Nominal cross section conductor	0.5 mm ²
Degree of protection (IP)	IP20
Wire strip length	9 mm
sheath strip length	21 mm
Preparation of conductor ends	stripped
Cable type	FB-2Y(ST)Y 2x2x0,8
Cable color	green
Cable diameter max.	6.1 mm
Version of cable	female - free end
Type of cord set	connection cable
Version cable end 1	female
Version cable end 2	free end

Material

Surface finish	Gilt
halogen free	No
Continuous temperature of cable	70 °C
Insulation components continuous temperature	100 °C
Fire load	0.355 kWh
Fire class	Eca

Dimensions

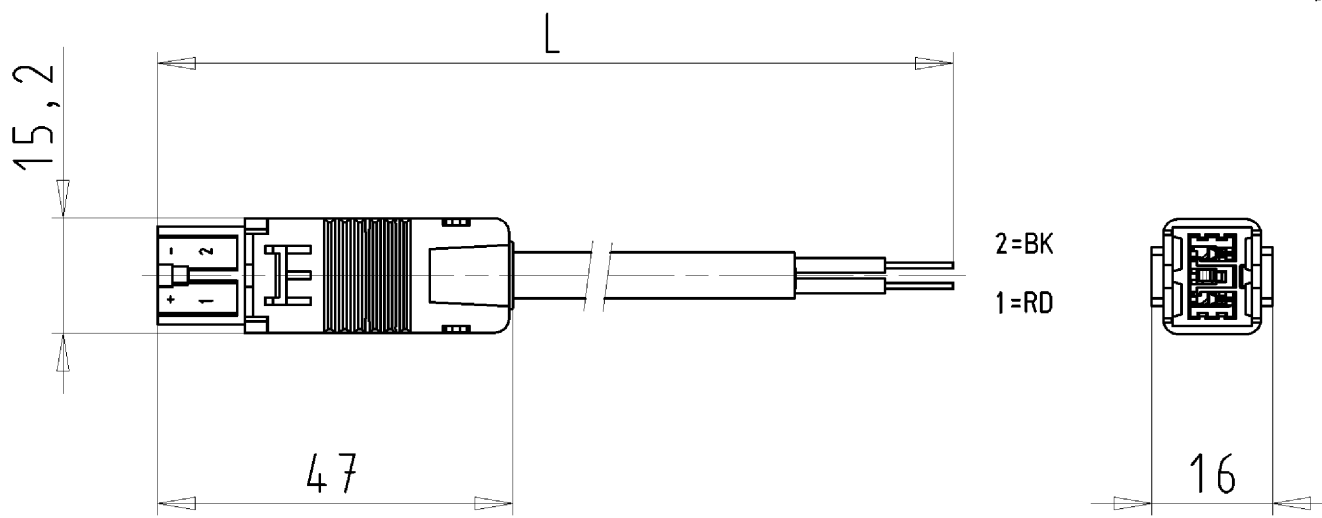
Total length	2 m
--------------	-----

Classification

ECLASS 11	
ECLASS 8.1	27440604
ETIM 7.0	EC002587
ETIM 6.0	EC002587
ETIM 5.0	EC002587
ETIM 4.0	EC002587

Product compliance

ROHS conformity status	Compliant
REACH-SVHC conformity status	Compliant



KONFEKT. LEITUNG
 94.425.0203.7 10W
 09.04.08 Heil D.
 M1:1

Index "a" 17.06.2009 LUS

Weitergabe sowie Vervielfältigung dieses Dokuments, Verwertung und Mitteilung seines Inhalts sind verboten, soweit nicht ausdrücklich gestattet. Die Reproduktion, Distribution und Utilization of this document as well as the communication of its contents to others without express authorization is prohibited.