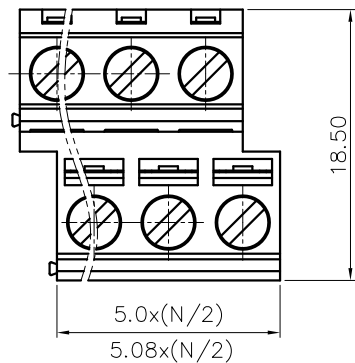


REVISION RECORD				
REV	ECN	DESCRIPTION	DRFT	DATE



NOTES1:

UL Standard

- 1.Rated Voltage/Current : 300V / 12A
- 2.Torque Value : M2.5 , 3.54Lb.in
- 3.Wire Range : 26~14AWG

IEC Standard

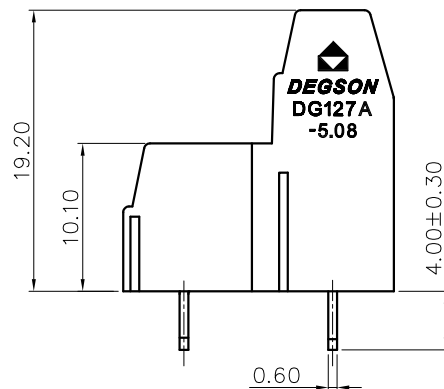
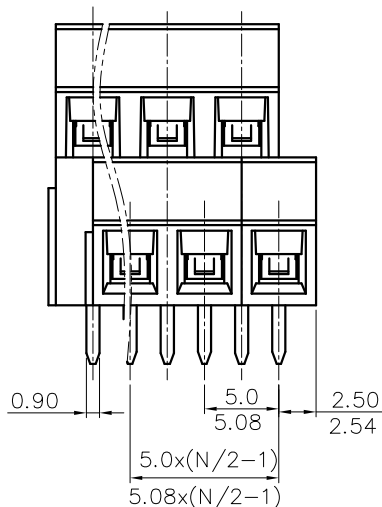
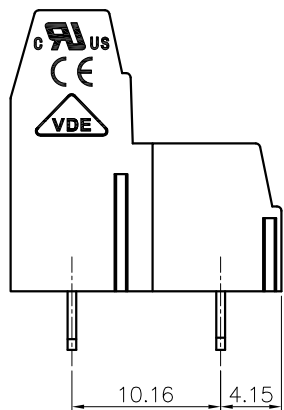
- 1.Rated Voltage/Current : 250V / 15A
- 2.Torque Value : M2.5 , 0.4N.m
- 3.Wire Range : 0.5~1.5mm²

NOTES2:

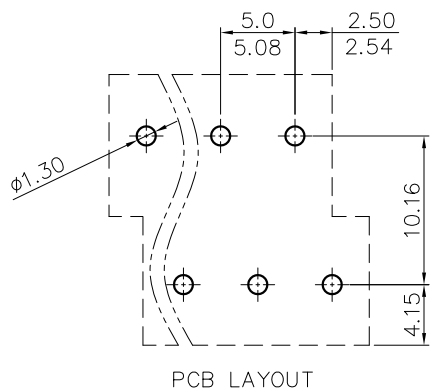
- 1.Dimension shall be interpreted per ASME Y14.5-2009
- 2.Pitch : 5.0/5.08mm, Poles : N=04~XXP
- 3.Stripping length : 6-7mm
- 4.Withstanding Voltage : AC2000V/1Min.
- 5.Operating temperature: -40°C~+105°C
- 6.Undimensioned Tolerances:

Pitch range in mm			Nominal dimension range in mm					-	∩	∇
To	Over	To	To	Over	Over	Over	Over	0.1/10		
6	6 TO 10	10 TO 24	30	30 TO 60	60 TO 100	100 TO 150	150			
	±0.15	±0.20	±0.30	±0.50	±0.70	±1.00	±1.30		±2'	

7.RoHS Compliance



DG127A- 5.0/5.08 - XXP - 1Y - 00A (H)
 (RoHS)
 00A-(Standard)
 (Series No.) (Pitch) (Poles) (Single Pitch)
 (Color):1.(Grey) 2.(Blue) 3.(Black) 4.(Green) 5.(Orange)
 6.(Red) 7.(Transparent) 8.(Yellow) 9.(White)



DETACHED LISTS	PART NO.:	宁波高松电子有限公司 NINGBO DEGSON ELECTRICAL CO., LTD			
	APPD:	NAME: DG127A-5.0/5.08-XXP-1Y-00A(H)			
	CHKD:				
	DRFT:	TITLE: CUSTOMER DRAWING		REV	D0
	THIRD ANGLE PROJECTION		DRAWING NO.:	SHEET 1/1	
		MM (INCH)	DO NOT SCALE DRAWING	SCALE 1:1	