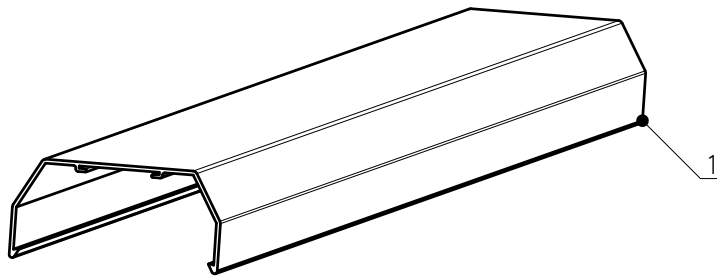
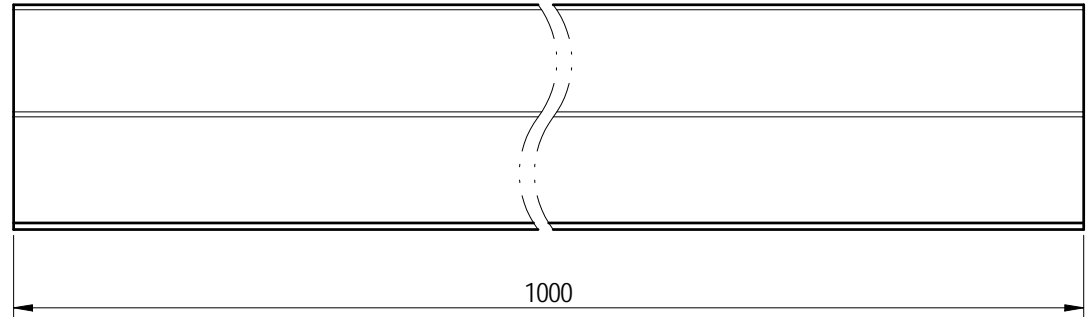
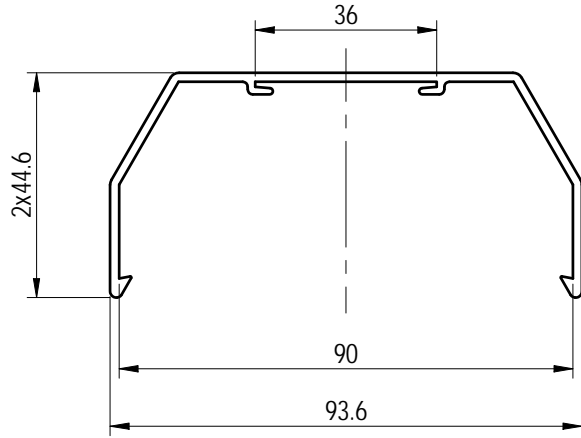


未注公差/General tolerances (mm)													0.1/10	
0	>3	>6	>10	>18	>30	>50	>80	>120	>180	>250	>315	>400		>500
~3	~6	~10	~18	~30	~50	~80	~120	~180	~250	~315	~400	~500		
±0.12	±0.18	±0.22	±0.26	±0.31	±0.37	±0.57	±0.80	±0.93	±1.05	±1.15	±1.60	±2.20	±2.50	±2'



1	Cover	PVC	UL94V-0
ITEM	NAME OF PART	MATERIAL	NOTES
线数范围/Poles			01P
使用温度范围/Operating temperature(°C)			-15~+65
符合RoHS环保要求/Conform to RoHS			Yes

		MATERIAL: PVC	SURFACE/COLOR:	
APPD: 李根芳 2023.01.10		MAT NO./REV: 11060000887-1 / 00		MAT STATUS: work
CHKD: 马恩开 2023.01.10		NAME		
DRFT: 郑启国 2023.01.10		AP3-COVER-1000-17-00Z (H)		
DRAWING NO.	TYPE	DRAWING STATUS	SCALE	SHEET
200171990	CUSTOMER DRAWING	work	1:1.5	1/1

00		The first release	郑启国	2023.01.10
REV	ECN	DESCRIPTION	DRFT	DATE

Transfer or duplication of this document as well as the utilization or communication of its content are prohibited unless authorized in writing. All rights reserved for patent, utility model or design registrations. 除专利权明确标注外，其他内容均受法律保护。未经许可，不得复制或传播。 产品规格如有变更，恕不另行通知。