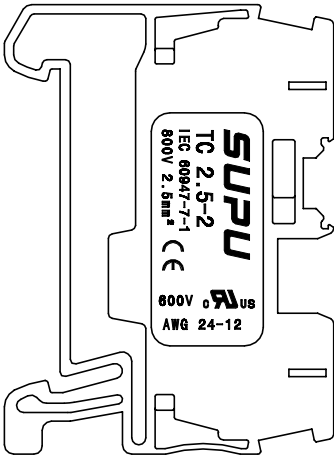
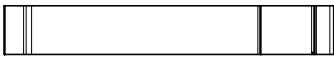
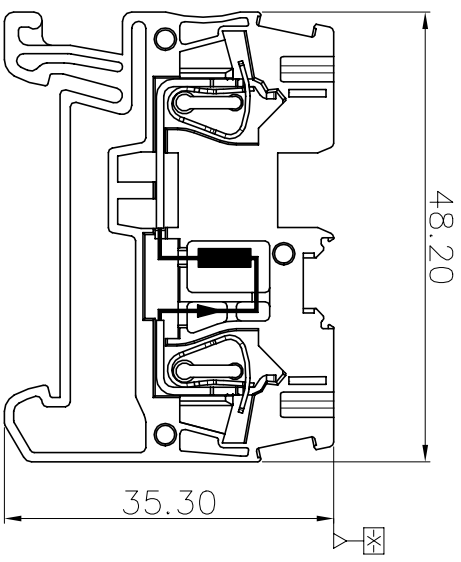
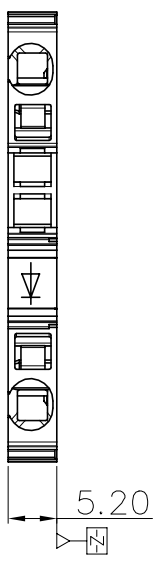


REVISION RECORD			
REV	ECN	DESCRIPTION	DATE



- Connection method:
1. For Solid wire, peeling wire in right length, push down spring to clappthe wire.
  2. For stranded wire, connect directly after peeling in right length, or wire furruled and fix in by pushingthe spring.

NOTES:  
UL/CUL Standard  
1. Conductor cross section : 24~12AWG  
2. Rated Voltage/Current :

Use group	B	C	D
Rated voltage(V)	600	600	
Rated current(A)	20	20	

IEC Standard  
1. Conductor cross section :

Wire range(Solid/Stranded)	0.2-2.5mm <sup>2</sup>
Solid	0.2-4mm <sup>2</sup>
Stranded	0.2-2.5mm <sup>2</sup>
Stranded with ferrules without plastic sleeve	0.2-2.5mm <sup>2</sup>
Stranded with ferrules with plastic sleeve	0.2-2.5mm <sup>2</sup>

2. Rated Voltage/Current :

Surge voltage category	III
Pollution degree	3
Rated surge voltage(kV)	8
Rated voltage(V)	800
Rated current(A)	24

Material:

Insulator	PA66	UL94 V-0
Conductor	Copper alloy	Sn plated
Spring	Stainless steel	

General information:

1. Dimension shall be interpreted per ASME Y14.5-2009
2. Stripping length : 10mm
3. Operating temperature: -40°C~+105°C
4. RoHS Compliance
5. Undimensioned Tolerances:

Pitch Range	in	Nominal Dimension	Range	mm	in	mm	mm
Over	6	10	30	60	100	150	0.1/10
To	10	10	30	60	100	150	<
±0.15	±0.20	±0.30	±0.30	±0.50	±0.70	±1.00	±1.30

HOW TO ORDER:

TC2.5-2R/L-XX

Series No. Color:  
GY: Grey  
BU: Blue  
OG: Orange

Color:

订货号	TC2.5-2R/L-GY	名称	TC系列-正面接线带	公差	未注公差	表面	VDI21
Order No.		Name	二极管B型-02P-2.5mm <sup>2</sup> 灰色(右到左)	Tolerances Table	版本号	重量	比例
设计	Signature	日期	2022.09.08	Revision Number	Revision Number	Weight	Scale
Design	cjs	Date		Notes	M0	Weight	Scale
审核		图号	PRM003359	Material		Weight	Scale
Check		Material		Notes		Weight	Scale
工艺		物料号		物料号		Weight	Scale
Process		Item No.		物料号		Weight	Scale
标准化						Weight	Scale
Unity						Weight	Scale
批准						Weight	Scale
Approve						Weight	Scale

NINGBO SUPU ELECTRONICS CO.,LTD.