

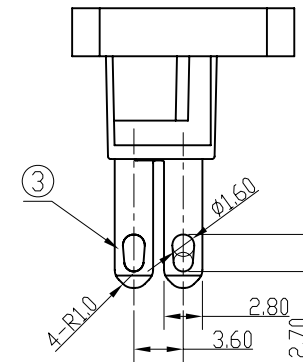
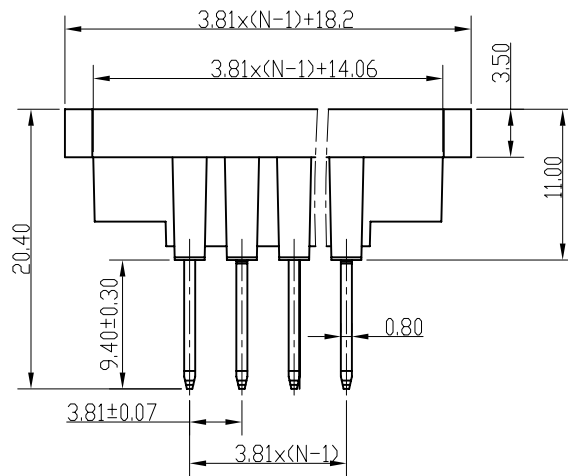
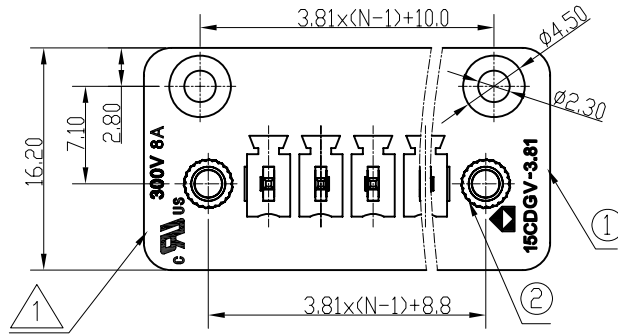
REVISION RECORD

REV	ECN	DESCRIPTION	DRFT	DATE
①	09-0123	增加UL刻字参数	Mickey	11/07/09
②	10-0263	避专利结构变更	Jordan.Y	08/24/10

Notes:

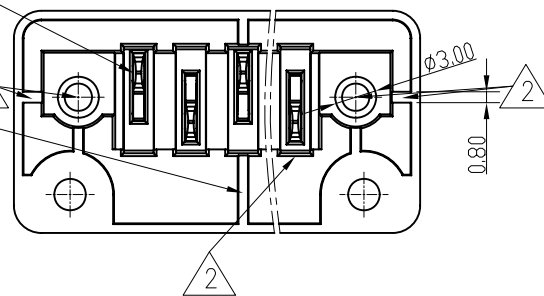
- Pitch: 3.81mm, Poles: 2-24P
- Rated voltage/current: UL1059 300V/8A
IEC 160V/8A
- Operation temperatures: -40°C ~ +105°C
- Withstanding Voltage: AC2000V/1Min
- Insulation Resistance: 5000MΩ / DC1000V
- Wire Range: 28-16AWG, 1.5mm²
- Max. Torque Value: M2.5, 4.08kgf.cm
- Undimensioned Tolerances:

Pitch range in mm		Nominal dimension range in mm							
to	over	to	over	to	over	to	over		
6	6	10	10	30	30	60	60	100	100
10	10	24	24	30	30	60	60	150	150
±0.10	±0.15	±0.25	±0.2	±0.3	±0.5	±0.7	±1.0	±0.05/10	



*注: 最左边的槽偏上方;

*塑件2P、3P、4P没有筋.



3	15CDGV-PIN	1175B00010 (H)	XX	phosphor bronze	Snce plated
2	2EDG CAP	S000000040 (H)	2	BRASS	
1	15CDGV-3.81 Housing	1175A0YXXA (H)	1	PA66	UL94V-0
ITEM	NAME OF PART	NO. OF PART	Q'TY	MATERIAL	NOTES

MM (INCH)	DF TO Zhuanm	DATE 05/27/08"	宁波高正电子有限公司 DEGSON ELECTRONICS CO., LTD
TOLERANCES EXCEPT AS NOTED	CHKD	DATE	
MM	MFD	DATE	
.0 ±	APPL	DATE	
.00 ±	MATERIAL :		NAME
.000 ±	G.E :		15CDGV-3.81-XXP-1Y-00A (H)
ANGLES ± 1°	FINISH:		DRAWING NO. 15CDGV-3.81-E01
THIRD ANGLE PROJECTION	SCALE :		/PART NO.
	DD NDT SCALE DRAWING		SIZE A3
	SHEET 1		REV T2
	OF 1		08/24/10'