

**SMD Magnetic Transducer****SFM-9527G01**RoHS
Compliant

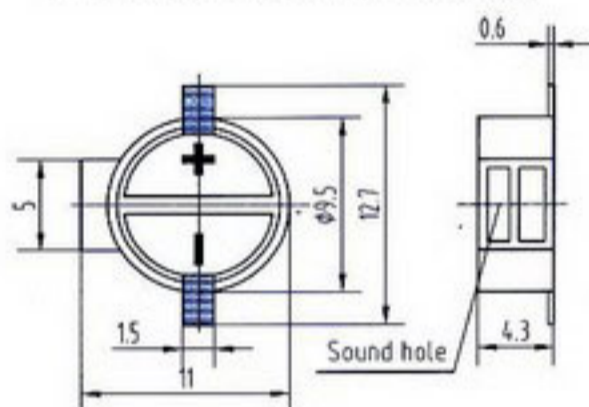
Rev.2

**FEATURES:**

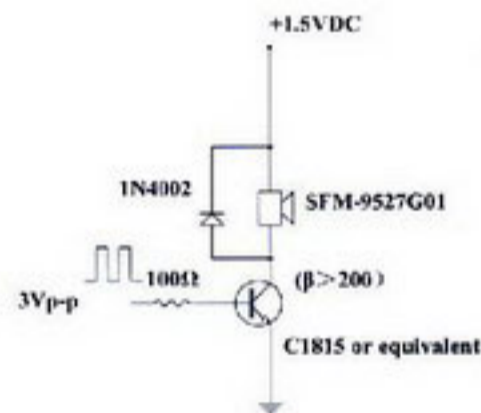
- Low Frequency
- Low Voltage
- Small and slim size

APPLICATIONS:

- Automatic Control Equipment
- Communication Equipment
- Electronic Instruments

CHARACTERISTICS:**DIMENSIONS: (Unit: mm)****ELECTRICAL SPECIFICATIONS:**

Min. Sound Pressure Level at 2731Hz/ 1.5V Square Wave /10cm.....	80dB(A)
Rated Voltage.....	1.5V
Operating Voltage.....	1~2V
Max. Consumption at 2731Hz/3Vp-p Square Wave.....	80mA/1.5V _{DC}
Resonant Frequency.....	2731Hz
Coil Resistance.....	5.5±2Ω
Operating Temperature.....	-20~+80°C
Weight.....	0.8g

TEST CIRCUITS:**PACKING INFORMATION:**

Packing: 2000 pcs per export carton

Carton Size: 35×26×26cm

G. Weight: 3.5 kgs N. Weight: 2.0 kgs

Address: No. 88 Jinhui East Road, Yinzhou, Ningbo, 315104 P. R. China

Sales Tel: +86-574-87809820(International)/87805605(Domestic)

Fax: +86-574-87803761

Http: www.east-mingtao.com